



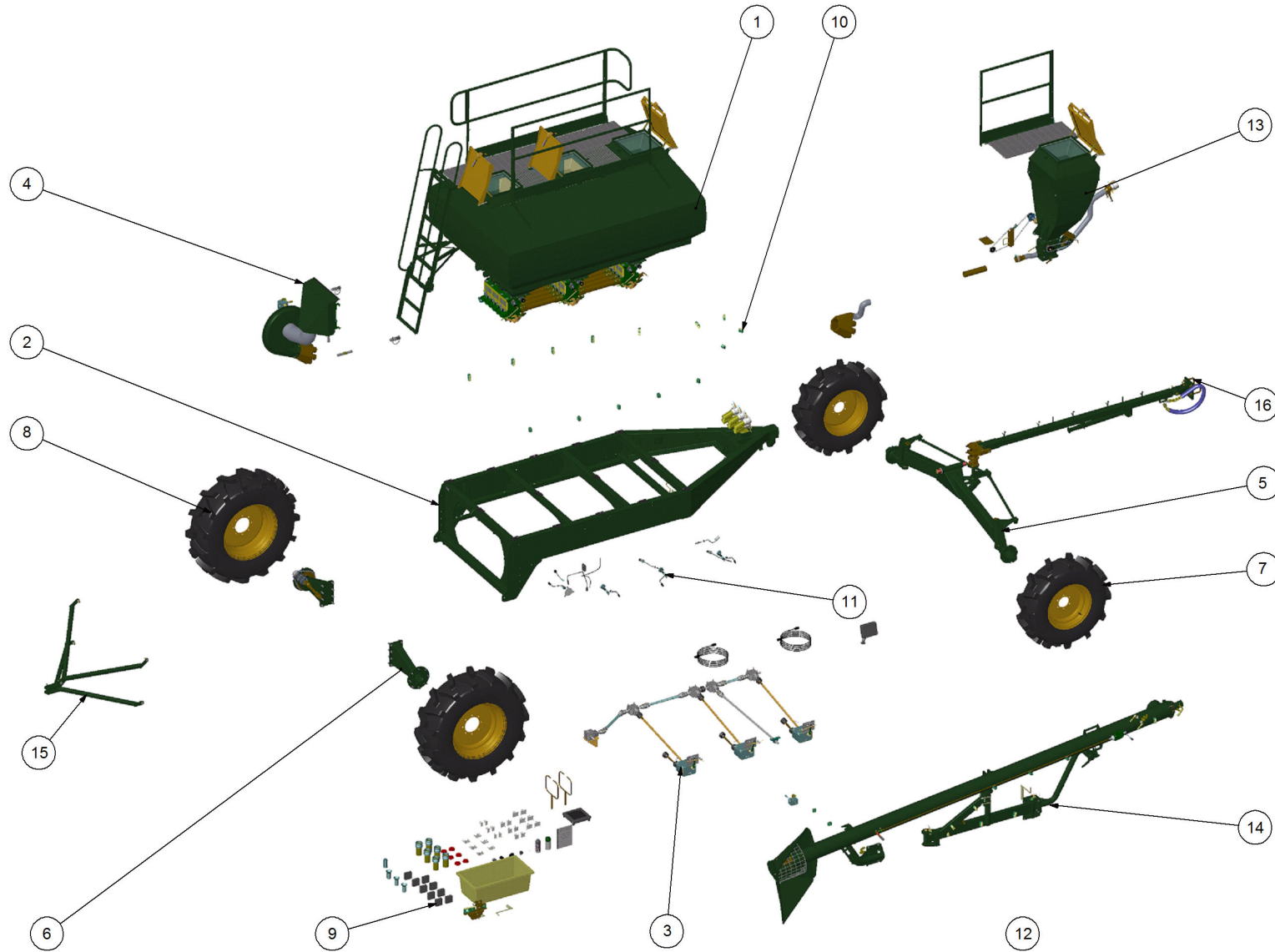
Simplicity
A U S T R A L I A

Parts Manual

TQS - Trailing Quad Steerable Air Seeder

06000 TQS3



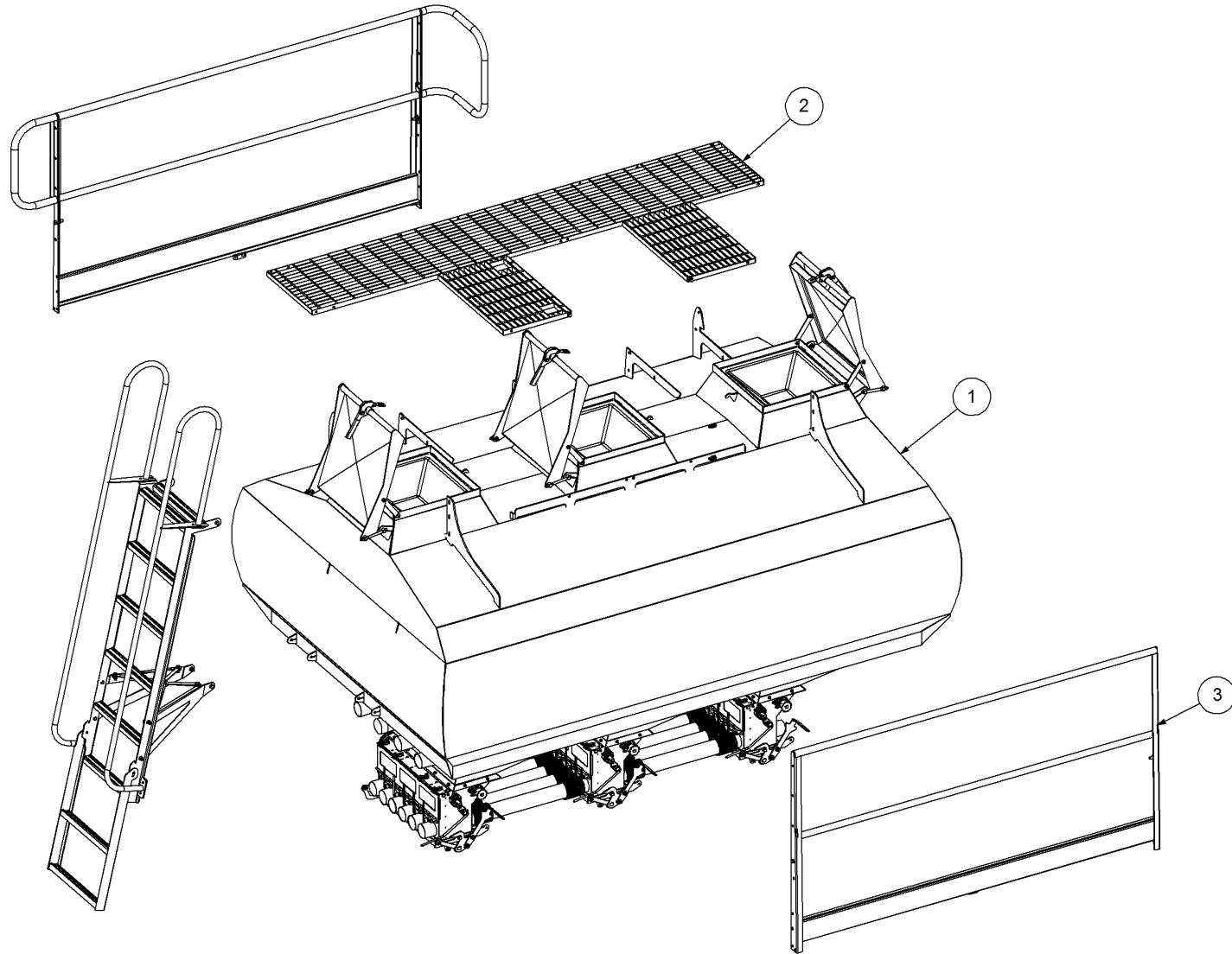




P/N 06000 TQS3

6000 TQS 3 Bin Air Seeder

| Key | Part Number | Description | Code | Key | Part Number | Description | Code |
|-----|-------------|--|------|-----|-------------|--|------|
| 1 | 200603000 | Bin Assembly - 6000 3 Bin | (S) | 13 | 201300105 | SSB Kit - 300L 2 Way Ground Drive | (OE) |
| 2 | 214603040 | Chassis Kit - TQS 3 Bin | (S) | 13 | 201300101 | SSB Kit - 300L 1 Way Electric Drive | (OE) |
| 2 | 214603240 | Chassis Kit - TQS 3 Bin - Xtra Steer | (O) | 14 | 265602000 | Auger Kit 8" - RH | (OE) |
| 3 | 290603000 | Drive Kit - Ground Drive | (S) | 14 | 265603000 | Auger Kit 8" - LH | (OE) |
| 3 | 290603010 | Drive Kit - 1 Bin Isolation | (O) | 15 | 234000000 | Harrow Hitch Assy | (OE) |
| 3 | 290603011 | Drive Kit - 2 Bin Isolation | (O) | 16 | 233260100 | Universal Hitch Assy w/- U Bolts | (OE) |
| 3 | 290603012 | Drive Kit - 3 Bin Isolation | (O) | 16 | 233260145 | Universal Hitch Assy w/- Adaptor Plate | (OE) |
| 3 | 290603002 | Drive Kit - Linear Control | (O) | 16 | 305100100 | Rear Pull Assy - Allrounder | (OE) |
| 3 | 290603001 | Drive Kit - Electric Drive | (O) | | | | |
| 4 | 250000003 | Blower Kit - Rexroth | (S) | | | | |
| 4 | 250000103 | Blower Kit - Rexroth w/- Diverter Valve | (O) | | | | |
| 4 | 250000002 | Blower Kit - Volvo | (O) | | | | |
| 4 | 250000102 | Blower Kit - Volvo w/- Diverter Valve | (O) | | | | |
| 5 | 230603000 | Axle Assy - 6000 3.0m Steerable | (S) | | | | |
| 5 | 230903000 | Axle Assy - 9000 3.0m Steerable | (O) | | | | |
| 5 | 230903100 | Axle Assy - Xtra Steer | (O) | | | | |
| 6 | 248600000 | Axle Hub & Stub Kit - 3.5T (8 stud) x 3.0m | (S) | | | | |
| 6 | 248900000 | Axle Hub & Stub Kit - 6.5T (8 stud) x 3.0m | (O) | | | | |
| 7 | 248000001 | Wheel Kit - 15.5/80 x 24 Tyre - 6 stud | (S) | | | | |
| 7 | 248000003 | Wheel Kit - 18.4 x 30 - 8 stud | (O) | | | | |
| 8 | 248000003 | Wheel Kit - 18.4 x 30 - 8 stud | (S) | | | | |
| 8 | 248000004 | Wheel Kit - 23.1 x 30 Tyre - 8 stud | (O) | | | | |
| 9 | 291600004 | Dispatch Kit - Ground Drive | (S) | | | | |
| 10 | 156590005 | Stauff Clamp Kit | (S) | | | | |
| 11 | 290246500 | Monitor & Harness Kit - Eagle 3 Bin | (S) | | | | |
| 11 | 290103457 | Monitor & Harness Kit - Eagle 3 Bin w/- Actuator | (O) | | | | |
| 11 | 290103375 | Monitor & Harness Kit - Eagle 3 Bin w/- Electric Drive | (O) | | | | |
| 11 | 290103100 | Monitor & Harness Kit - X20 3 Bin w/- Actuator | (O) | | | | |
| 12 | 196560002 | Decal '6000 Simplicity' 1000 x 400 | (S) | | | | |
| 12 | 196042512 | Decal - Assorted Instructions | (S) | | | | |
| 12 | 196015020 | Decal 'Wheat Sheaf Logo' 150 x 200 | (S) | | | | |
| 13 | 201300104 | SSB Kit - 300L 1 Way Ground Drive | (OE) | | | | |



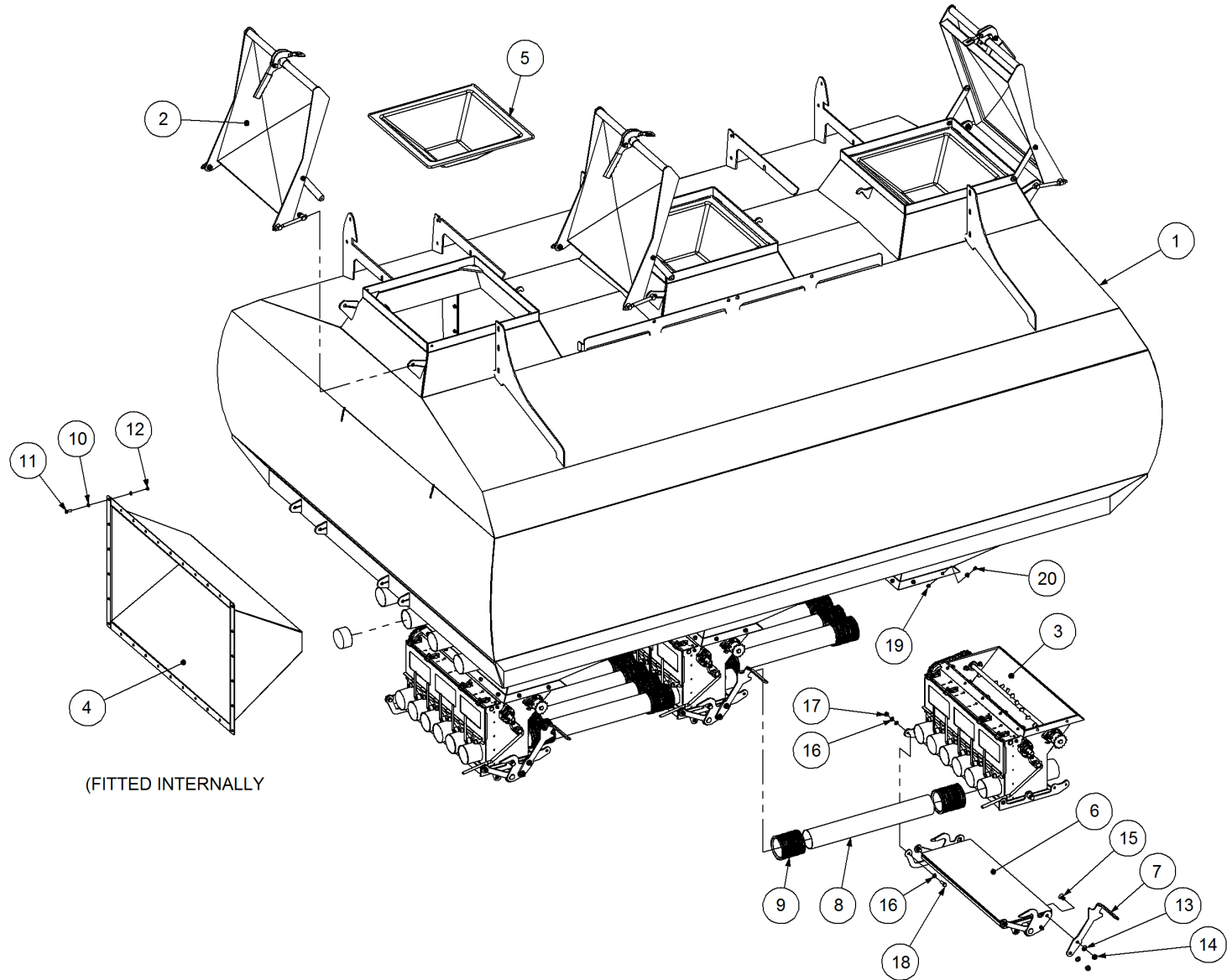


P/N 200603000

Bin Assembly - 6000 3 Bin

| Key | Part Number | Description | Qty |
|-----|-------------|-------------------------------|-----|
| 1 | 200603250 | Bin Sub Assembly - 6000 3 Bin | 1 |
| 2 | 200603215 | Walkway Kit - 6000 3 Bin | 1 |
| 3 | 200603210 | Handrail Kit - 6000 3 Bin | 1 |

| Key | Part Number | Description | Qty |
|-----|-------------|-------------|-----|
|-----|-------------|-------------|-----|





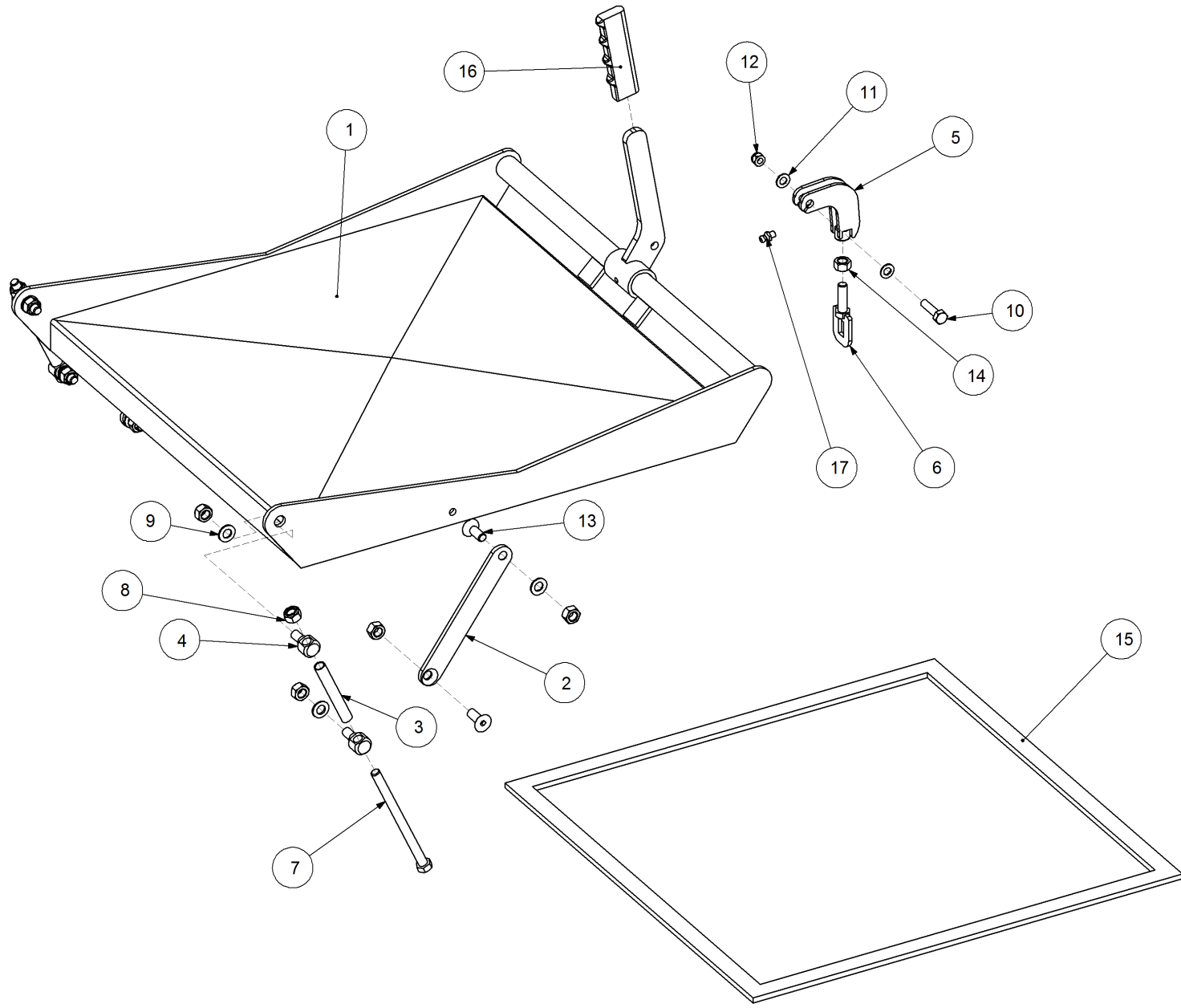
P/N 200603250

Bin Sub Assembly - 6000 3 Bin

| Key | Part Number | Description | Qty |
|-----|-------------|---|-----|
| 1 | 200603001 | Bin - 6000 3 Bin | 1 |
| 2 | 203150000 | Lid Assy - Medium | 3 |
| 3 | 208600001 | Metering Unit Assy - 6 Way (less Bottom Door) | 3 |
| 4 | 207602001 | Bin Divider | 4 |
| 5 | 203155001 | Wire Basket | 3 |
| 6 | 208600023 | Bottom Door & Shaft - 6 Way | 3 |
| 7 | 208400065 | Metering Unit Bottom Door Handle | 3 |
| 8 | 208000540 | Metering Unit Flow Thru Tube | 12 |
| 9 | 208000090 | Joiner Hose | 24 |
| 10 | 035106151 | Flat Washer 1/4" ID | 282 |
| 11 | 000060195 | Bolt Hex Hd 1/4" UNC x 3/4" | 120 |
| 12 | 030130061 | Nut 1/4" UNC Nyloc | 108 |
| 13 | 085110000 | Flat Washer 10 ID | 6 |
| 14 | 080121000 | Nut M10 Nyloc | 6 |
| 15 | 062110025 | Cap Screw Csk Hd M10 x 25 | 6 |
| 16 | 035108161 | Flat Washer 5/16" ID | 27 |
| 17 | 080120800 | Nut M8 Nyloc | 9 |
| 18 | 050080258 | Bolt Hex Hd M8 x 25 | 9 |
| 19 | 030110061 | Nut 1/4" UNC | 39 |
| 20 | 010106012 | Cap Screw 1/4" UNC x 1/2" | 42 |

| Key | Part Number | Description | Qty |
|-----|-------------|-------------|-----|
|-----|-------------|-------------|-----|

P/N 203150000 Lid Assy - Medium

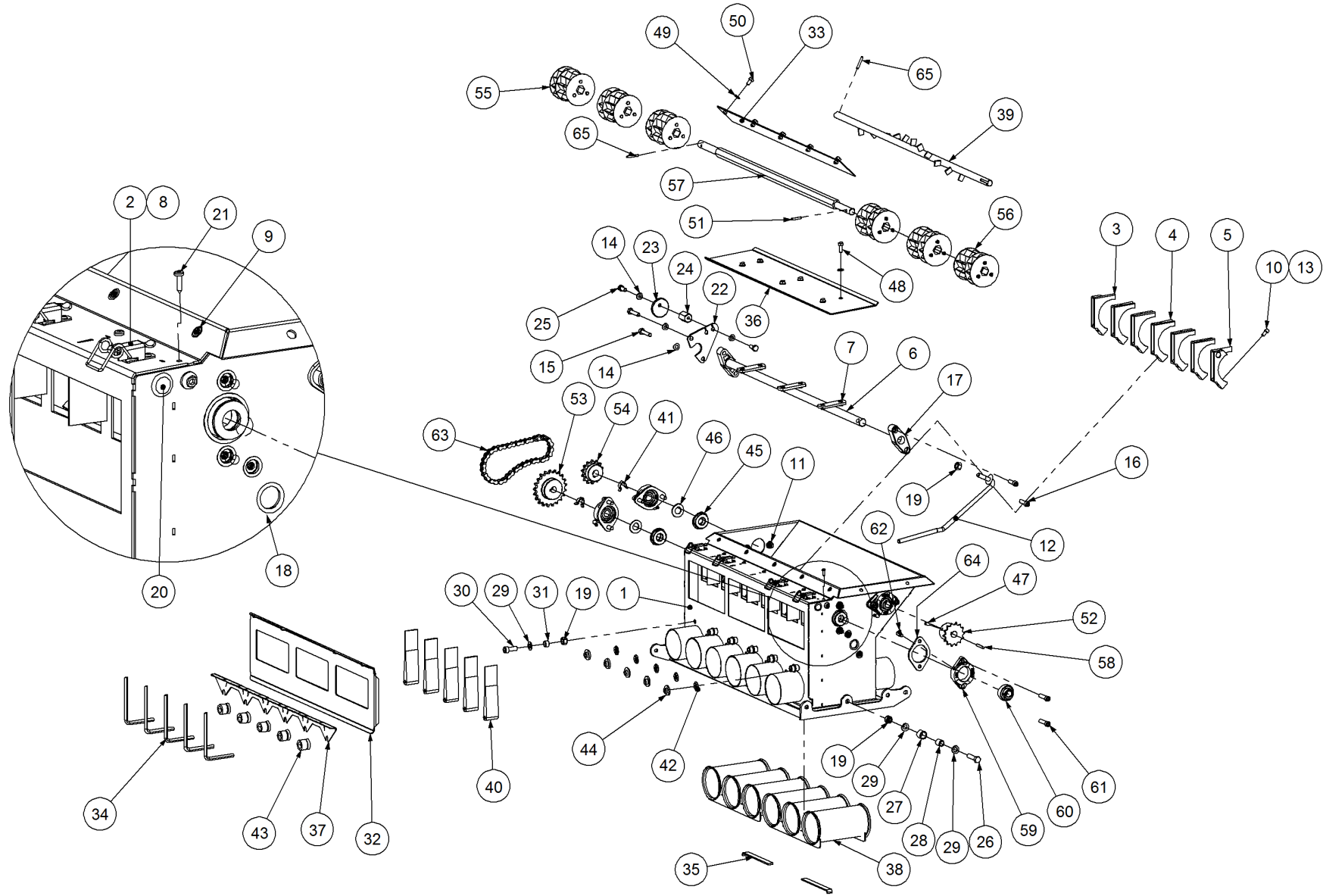




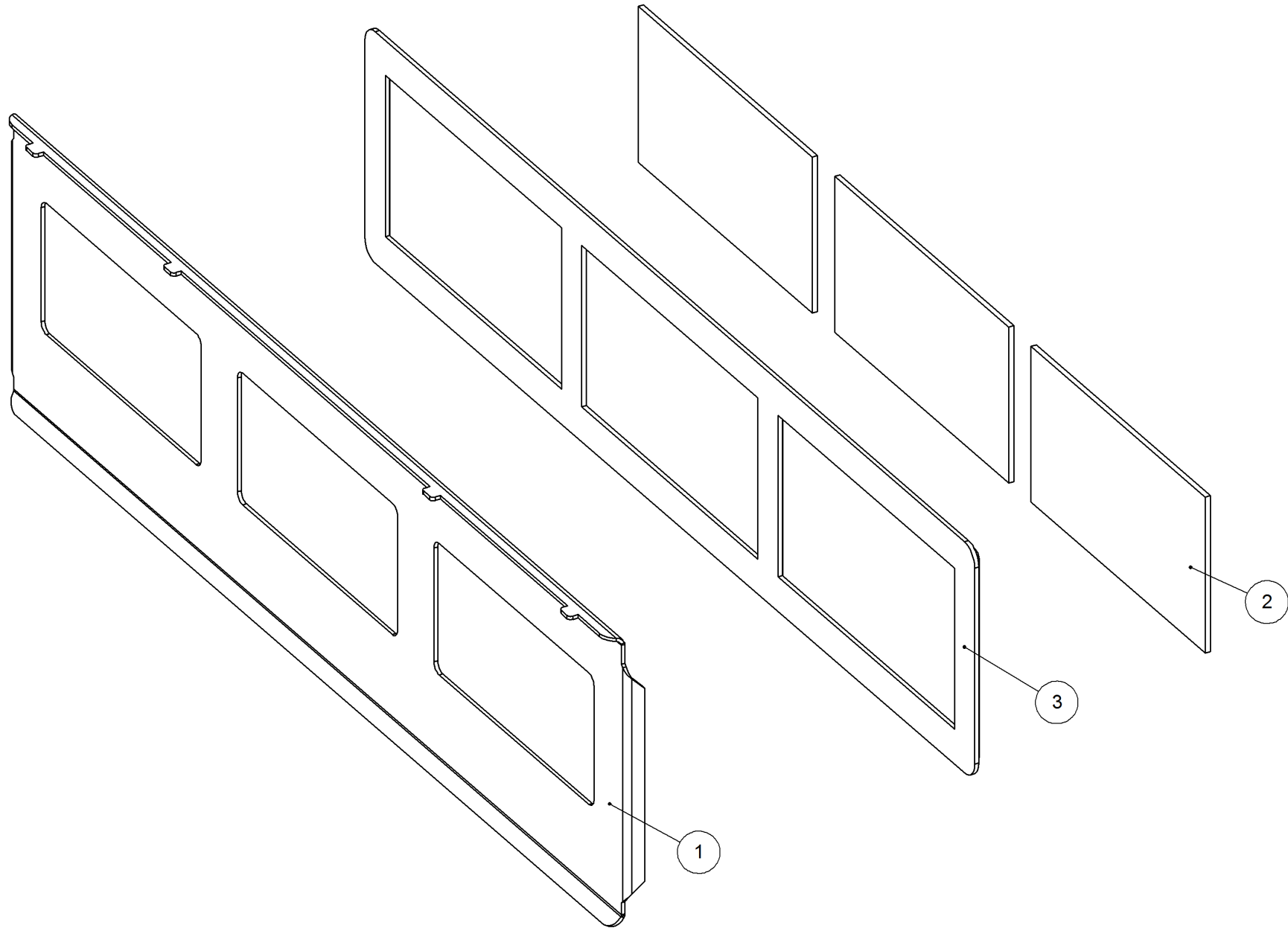
P/N 203150000 Lid Assy - Medium

| Key | Part Number | Description | Qty |
|------------|--------------------|--------------------------------|------------|
| 1 | 203150001 | Lid - Medium | 1 |
| 2 | 203154006 | Lid Tilt Hinge | 2 |
| 3 | 203154004 | Lid Hinge Spacer | 2 |
| 4 | 203154005 | Lid Hinge Swivel | 4 |
| 5 | 203154001 | Lid Latch Toggle | 1 |
| 6 | 203153001 | Lid Latch Loop | 1 |
| 7 | 000101395 | Bolt Hex Hd 3/8" UNC x 5-1/2" | 2 |
| 8 | 030130101 | Nut 3/8" UNC Nyloc | 6 |
| 9 | 035110191 | Flat Washer 3/8" ID | 8 |
| 10 | 000080325 | Bolt Hex Hd 5/16" UNC x 1-1/4" | 1 |
| 11 | 035108161 | Flat Washer 5/16" ID | 2 |
| 12 | 030130081 | Nut 5/16" UNC Nyloc | 1 |
| 13 | 012110025 | Cap Screw Csk Hd 3/8" UNC x 1" | 4 |
| 14 | 030110101 | Nut 3/8" UNC | 5 |
| 15 | 197525265 | Lid Seal - Medium | 1 |
| 16 | 197020115 | Lid Handle Grip | 1 |
| 17 | 111206000 | Grease Nipple 1/4" UNF | 1 |

| Key | Part Number | Description | Qty |
|------------|--------------------|--------------------|------------|
|------------|--------------------|--------------------|------------|



| Key | Part Number | Description | Qty | Key | Part Number | Description | Qty |
|-----|-------------|-----------------------------------|-----|-----|-------------|--|-----|
| 1 | 208600002 | Metering Unit Body - 6 Way | 1 | 38 | 208600063 | Flow Thru Tube | 2 |
| 2 | 193020504 | Over Centre Clamp | 4 | 39 | 208600081 | Agitator Shaft - 6 Way | 1 |
| 3 | 208400128 | Spool Divider - LH | 1 | 40 | 193008851 | Vane - Metering Unit | 5 |
| 4 | 208400126 | Spool Divider | 5 | 41 | 193003765 | Retainer Clip - Sprocket | 2 |
| 5 | 208400127 | Spool Divider - RH | 1 | 42 | 193001761 | Retainer Clip | 5 |
| 6 | 208600055 | Cleanout Door Shaft - 6 Way | 1 | 43 | 208400125 | Seal Assy | 5 |
| 7 | 030170061 | Nut 1/4" UNC Huck | 6 | 44 | 137308858 | Bush 8mm | 5 |
| 8 | 094303000 | Pop Rivet 1/8" S/Steel | 8 | 45 | 197161687 | Seal 5/8" ID | 4 |
| 9 | 030170061 | Nut 1/4" UNC Huck | 12 | 46 | 035316320 | Flat Washer 5/8" ID S/Steel | 4 |
| 10 | 010106012 | Cap Screw 1/4" UNC x 1/2" | 9 | 47 | 013110613 | Grub Screw 1/4" UNC x 1/2" | 1 |
| 11 | 030170081 | Nut 5/16" UNC Huck | 12 | 48 | 000060195 | Bolt Hex Hd 1/4" UNC x 3/4" | 6 |
| 12 | 208400051 | Cleanout Door Handle | 1 | 49 | 035106151 | Flat Washer 1/4" ID | 13 |
| 13 | 030130061 | Nut 1/4" UNC Nyloc | 2 | 50 | 000060135 | Bolt Hex Hd 1/4" UNC x 1/2" | 5 |
| 14 | 035108161 | Flat Washer 5/16" ID | 4 | 51 | 090105025 | Roll Pin 3/16" x 1" | 1 |
| 15 | 000080385 | Bolt Hex Hd 5/16" UNC x 1-1/2" | 2 | 52 | 290000032 | Sprocket (Plastic) 1/2" BS x 14T - 5/8" ID | 1 |
| 16 | 010208025 | Cap Screw 5/16" BSW x 1" | 2 | 53 | 126132106 | Sprocket (Plastic) 1/2" BS x 21T - 5/8" ID | 1 |
| 17 | 137308846 | Bush | 2 | 54 | 126131405 | Sprocket (Plastic) 1/2" BS x 14T - 5/8" ID | 1 |
| 18 | 197192535 | O'Ring 3/4" ID x 1" OD x 0.139" | 2 | 55 | 208400093 | Spool Assembly - RH | 3 |
| 19 | 030130101 | Nut 3/8" UNC Nyloc | 9 | 56 | 208400092 | Spool Assembly - LH | 3 |
| 20 | 197000127 | Blank Off Plug | 2 | 57 | 208600065 | Spool Shaft - 6 Way | 1 |
| 21 | 009408000 | Screw 8g x 5/8" | 7 | 58 | 182047430 | Key 4.75 x 4.75 x 30mm | 1 |
| 22 | 208400062 | Chain Tensioner Bracket | 1 | 59 | 136520300 | Bearing Housing | 4 |
| 23 | 208400061 | Chain Tensioner Block | 1 | 60 | 135320210 | Bearing - 5/8" ID | 4 |
| 24 | 208400064 | Chain Tensioner Spacer | 1 | 61 | 010208032 | Cap Screw 5/16" BSW x 1-1/4" | 8 |
| 25 | 000080195 | Bolt Hex Hd 5/16" UNC x 3/4" | 2 | 62 | 111206675 | Grease Nipple 1/4" UNF - 67.5° | 4 |
| 26 | 000100385 | Bolt Hex Hd 3/8" UNC x 1-1/2" | 2 | 63 | 125140211 | Chain Assy 1/2" AS (35 L + CL) | 1 |
| 27 | 208400077 | Latch Bearing | 2 | 64 | 197001626 | Gasket (Small) - Bearing | 4 |
| 28 | 208400089 | Latch Bearing Spacer | 2 | 65 | 090105032 | Roll Pin 3/16" x 1-1/4" | 2 |
| 29 | 035110191 | Flat Washer 3/8" ID | 10 | | | | |
| 30 | 010110025 | Cap Screw 3/8" UNC x 1" | 6 | | | | |
| 31 | 208400076 | Indent Plate Spacer - 4 Way | 6 | | | | |
| 32 | 208600110 | Inspection Window & Seal | 1 | | | | |
| 33 | 208600120 | Spool Cover Plate | 1 | | | | |
| 34 | 208400101 | Vane Handle | 5 | | | | |
| 35 | 208400073 | Clip - Flow Through Tube | 2 | | | | |
| 36 | 208600047 | Cleanout Door - 6 Way | 1 | | | | |
| 37 | 208600064 | Indent Plate - Vane Lever - 6 Way | 1 | | | | |



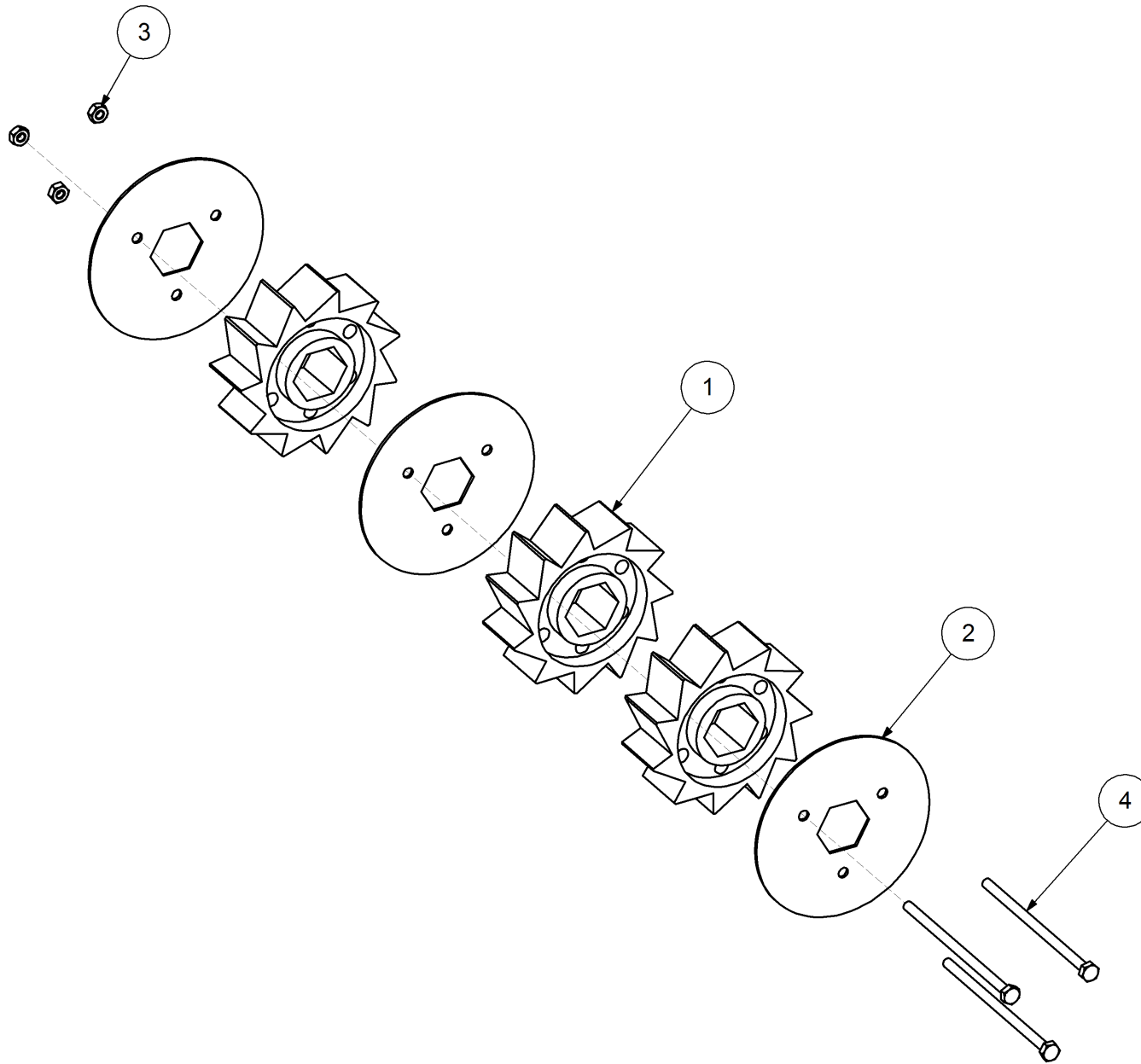


P/N 208600110

Inspection Window & Seal

| Key | Part Number | Description | Qty |
|-----|-------------|--------------------------------|-----|
| 1 | 208600102 | Insection Window Plate - 6 Way | 1 |
| 2 | 197172903 | Inspection Window | 3 |
| 3 | 197601300 | Seal - Window Rubber | 1 |

| Key | Part Number | Description | Qty |
|-----|-------------|-------------|-----|
|-----|-------------|-------------|-----|



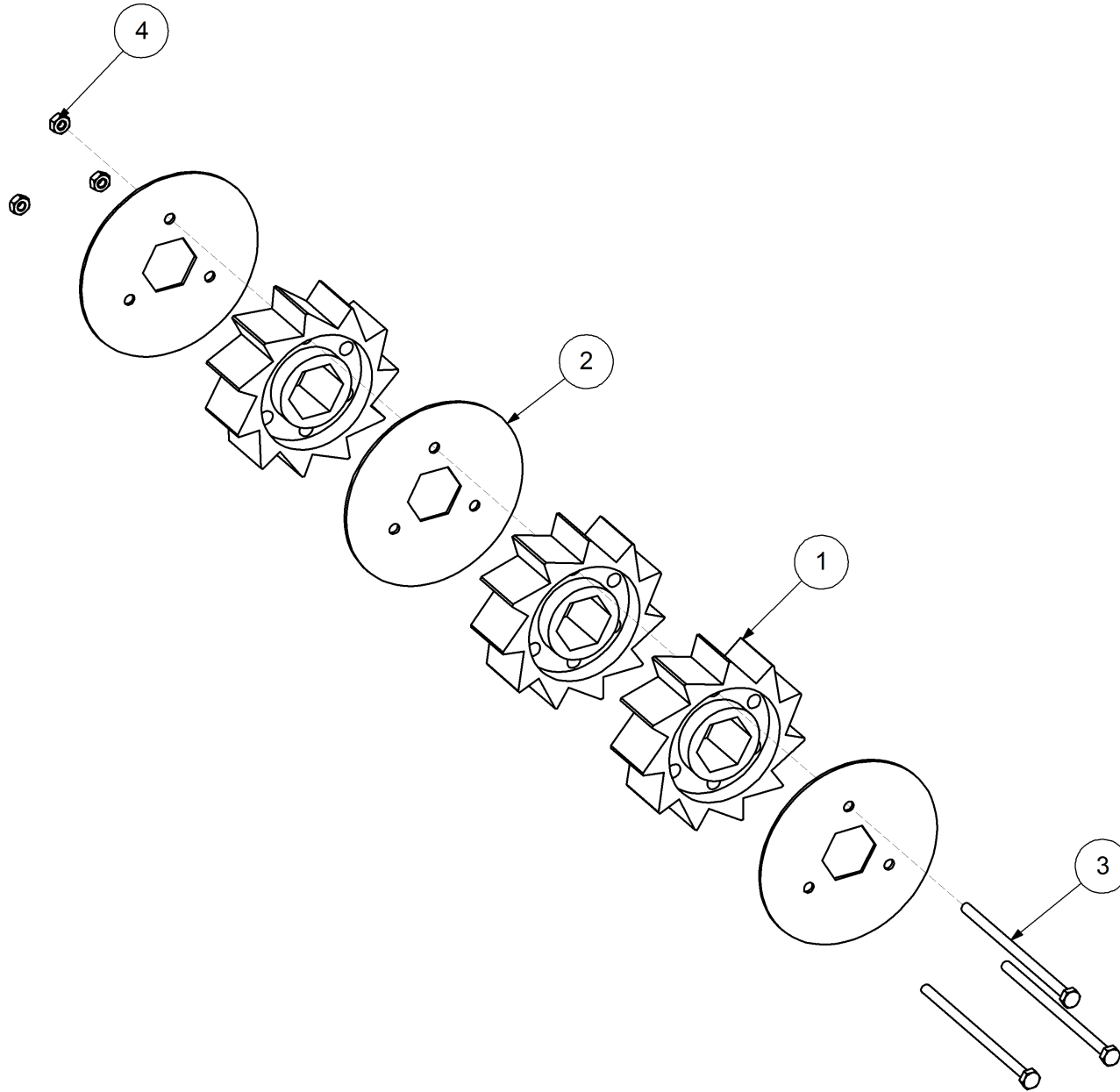


P/N 208400093

Spool Assembly - RH

| Key | Part Number | Description | Qty |
|-----|-------------|---------------------|-----|
| 1 | 197018845 | Spool | 3 |
| 2 | 193001905 | Spool Washer | 3 |
| 3 | 080310041 | Nut M4 S/Steel | 3 |
| 4 | 059604081 | Bolt Pan Hd M4 x 81 | 3 |

| Key | Part Number | Description | Qty |
|-----|-------------|-------------|-----|
|-----|-------------|-------------|-----|

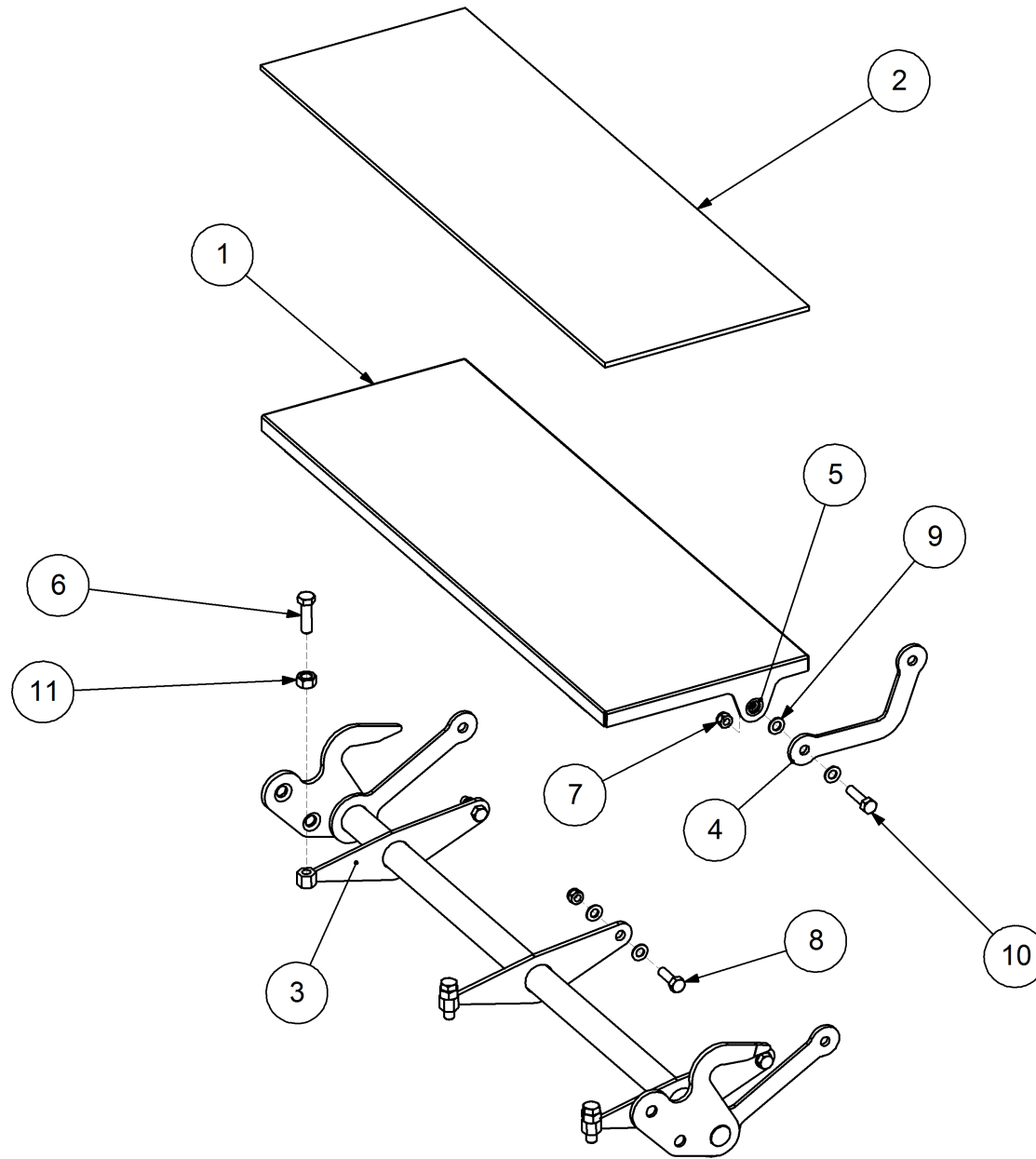




P/N 208400092 Spool Assembly - LH

| Key | Part Number | Description | Qty |
|------------|--------------------|---------------------|------------|
| 1 | 197018845 | Spool | 3 |
| 2 | 193001905 | Spool Washer | 3 |
| 3 | 059604081 | Bolt Pan Hd M4 x 81 | 3 |
| 4 | 080310041 | Nut M4 S/Steel | 3 |

| Key | Part Number | Description | Qty |
|------------|--------------------|--------------------|------------|
|------------|--------------------|--------------------|------------|



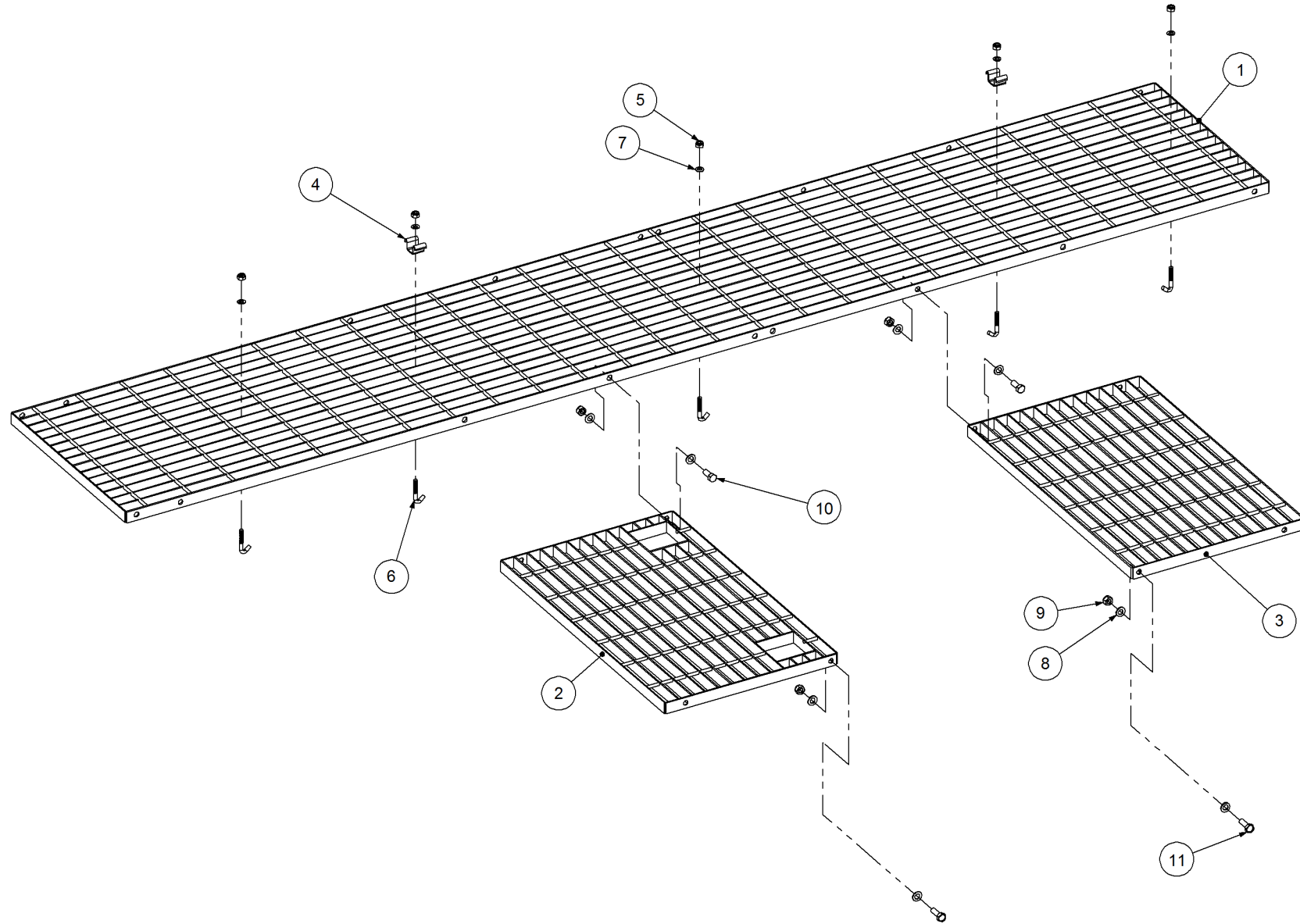


P/N 208600023

Bottom Door & Shaft - 6 Way

| Key | Part Number | Description | Qty |
|-----|-------------|---------------------------------|-----|
| 1 | 208600011 | Bottom Door - 6 Way | 1 |
| 2 | 197622110 | Bottom Door Rubber | 1 |
| 3 | 208600025 | Bottom Door Hinge Shaft - 6 Way | 1 |
| 4 | 208400074 | Hinge Arm - Bent | 1 |
| 5 | 030170081 | Nut 5/16" UNC Huck | 2 |
| 6 | 000100385 | Bolt Hex Hd 3/8" UNC x 1-1/2" | 3 |
| 7 | 030130081 | Nut 5/16" UNC Nyloc | 4 |
| 8 | 000080255 | Bolt Hex Hd 5/16" UNC x 1" | 3 |
| 9 | 035108161 | Flat Washer 5/16" ID | 8 |
| 10 | 000080325 | Bolt Hex Hd 5/16" UNC x 1-1/4" | 1 |
| 11 | 030110101 | Nut 3/8" UNC | 3 |

| Key | Part Number | Description | Qty |
|-----|-------------|-------------|-----|
|-----|-------------|-------------|-----|

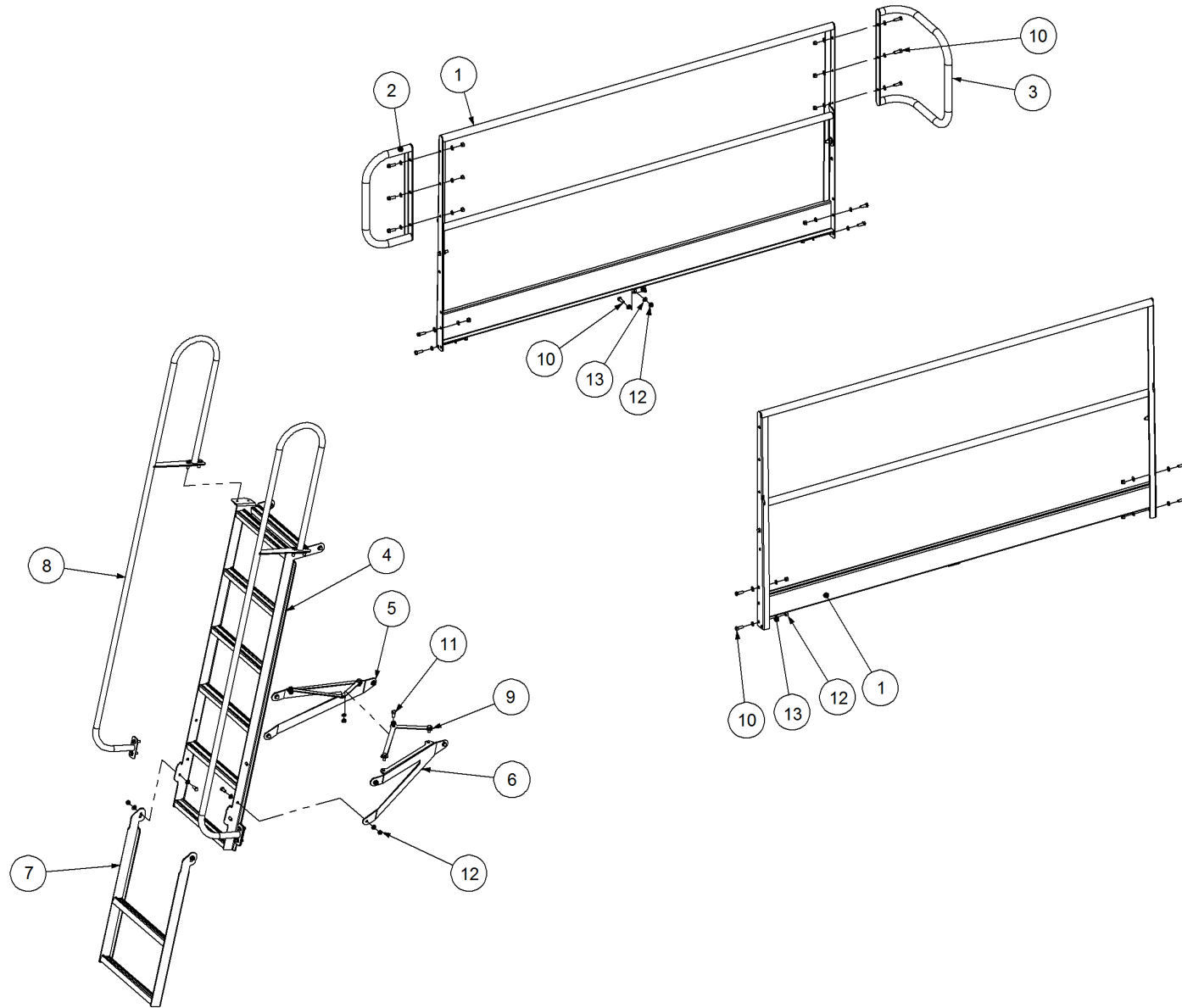




P/N 200603215 Walkway Kit - 6000 3 Bin

| Key | Part Number | Description | Qty |
|------------|--------------------|--------------------------|------------|
| 1 | 193453260 | Walkway Panel | 1 |
| 2 | 200602030 | Walkway Panel w/- Cutout | 1 |
| 3 | 193393065 | Walkway Panel | 1 |
| 4 | 204300003 | Fixing Clip | 2 |
| 5 | 080120800 | Nut M8 Nyloc | 5 |
| 6 | 057080000 | J Bolt M8 | 5 |
| 7 | 085108000 | Flat Washer 8 ID | 5 |
| 8 | 085110000 | Flat Washer 10 ID | 8 |
| 9 | 080121000 | Nut M10 Nyloc | 4 |
| 10 | 050100258 | Bolt Hex Hd M10 x 25 | 2 |
| 11 | 050100308 | Bolt Hex Hd M10 x 30 | 2 |

| Key | Part Number | Description | Qty |
|------------|--------------------|--------------------|------------|
|------------|--------------------|--------------------|------------|

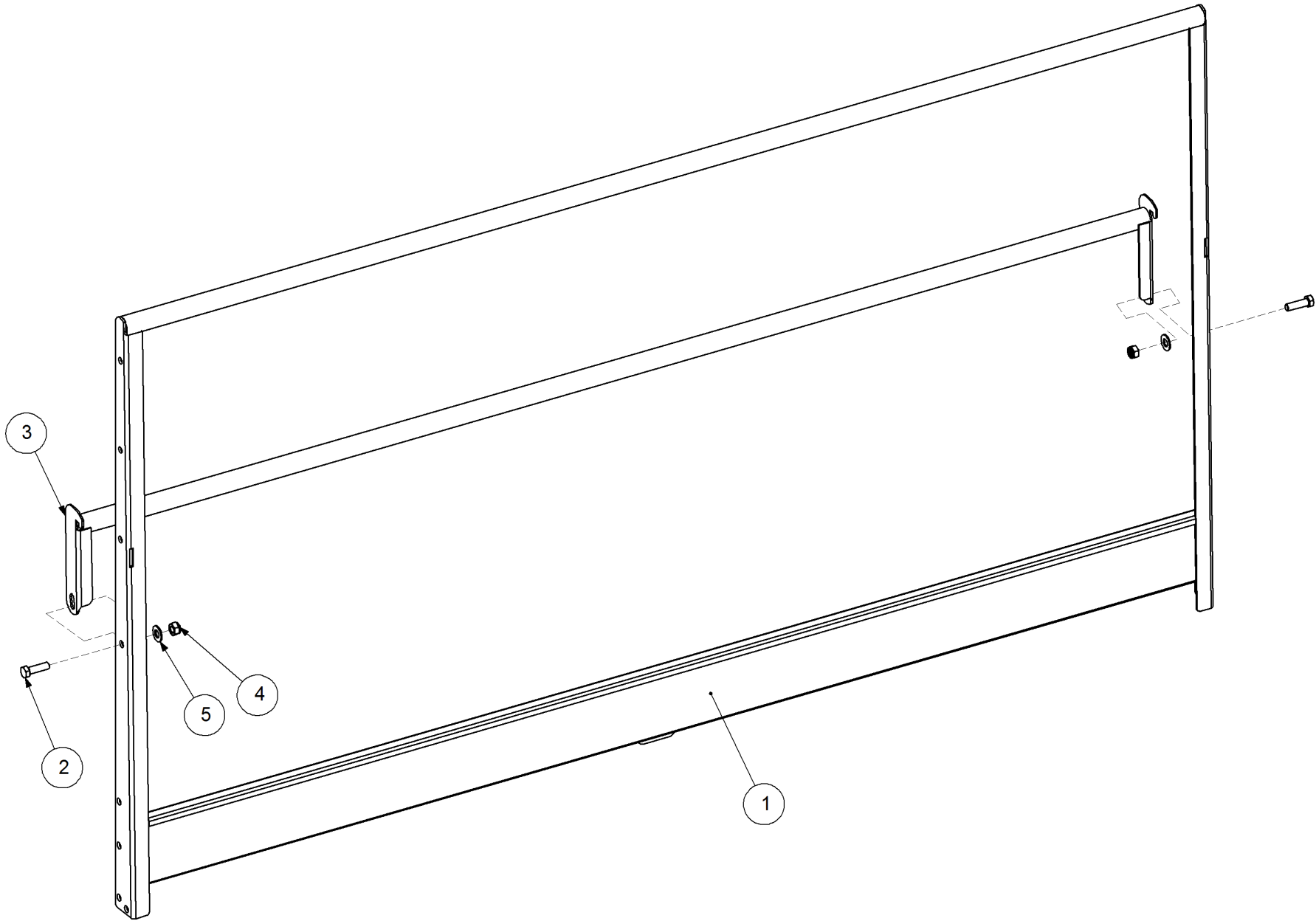




P/N 200603210 Handrail Kit - 6000 3 Bin

| Key | Part Number | Description | Qty |
|------------|--------------------|---------------------------|------------|
| 1 | 206602081 | Handrail Assy | 2 |
| 2 | 206602053 | Handrail End - Straight | 1 |
| 3 | 206602052 | Handrail End - Return | 1 |
| 4 | 202600001 | Ladder | 1 |
| 5 | 202602001 | Ladder Stay - LH | 1 |
| 6 | 202602002 | Ladder Stay - RH | 1 |
| 7 | 202900001 | Ladder Extension - 2 Step | 1 |
| 8 | 202602005 | Ladder Handrail - LH | 2 |
| 9 | 202600006 | Ladder Cross Stay | 2 |
| 10 | 050100308 | Bolt Hex Hd M10 x 30 | 24 |
| 11 | 050100258 | Bolt Hex Hd M10 x 25 | 15 |
| 12 | 080121000 | Nut M10 Nyloc | 39 |
| 13 | 085110000 | Flat Washer 10 ID | 78 |

| Key | Part Number | Description | Qty |
|------------|--------------------|--------------------|------------|
|------------|--------------------|--------------------|------------|





P/N 206602081 Handrail Assy

| Key | Part Number | Description | Qty |
|------------|--------------------|----------------------|------------|
| 1 | 206602084 | Handrail | 1 |
| 2 | 050120408 | Bolt Hex Hd M12 x 40 | 2 |
| 3 | 206452056 | Handrail - Middle | 1 |
| 4 | 080121200 | Nut M12 Nyloc | 2 |
| 5 | 085112000 | Flat Washer 12 ID | 4 |

| Key | Part Number | Description | Qty |
|------------|--------------------|--------------------|------------|
|------------|--------------------|--------------------|------------|

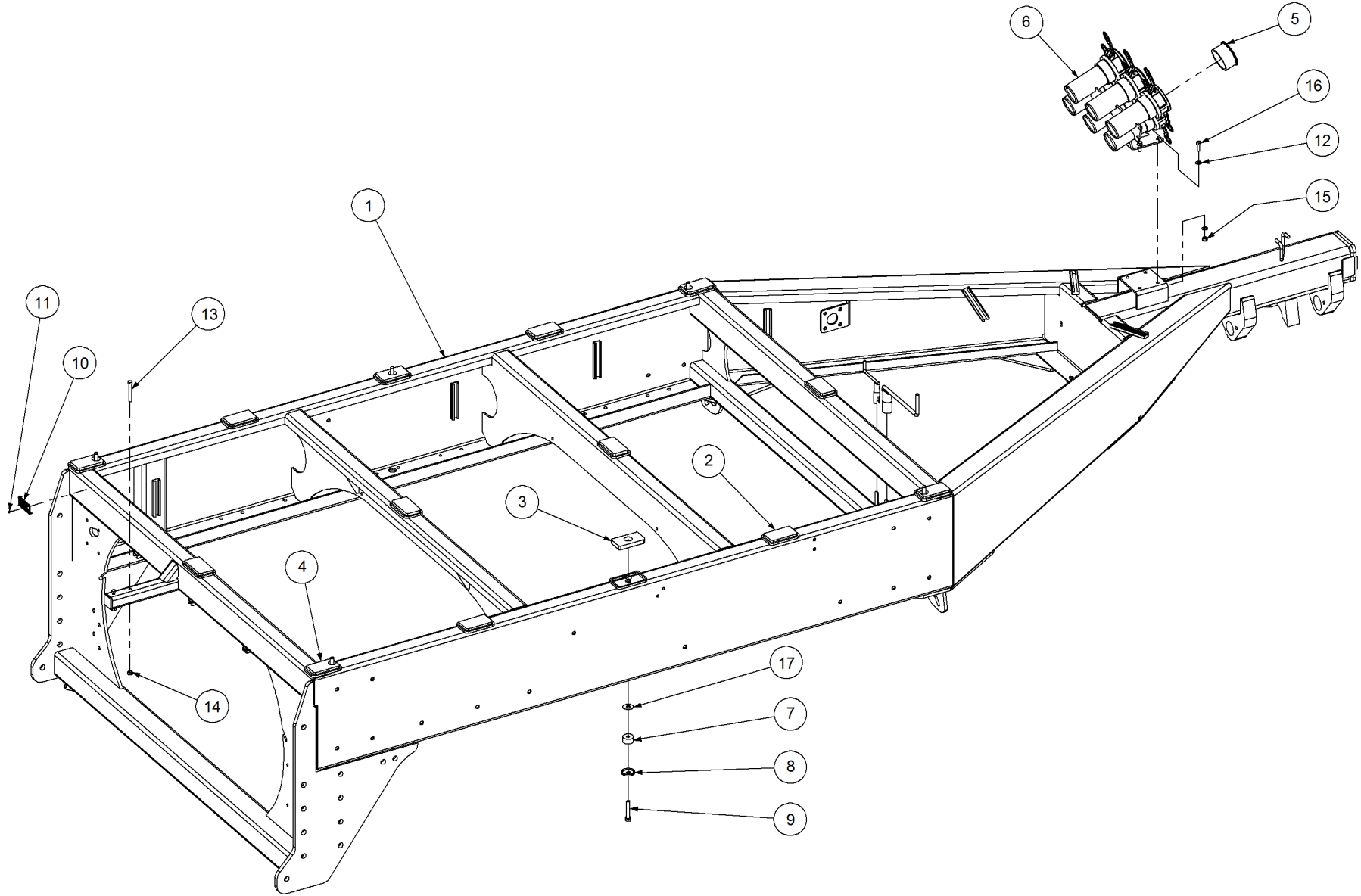


P/N 214603040

Chassis Kit - TQS 3 Bin

| Key | Part Number | Description | Qty |
|-----|-------------|---------------------------------|-----|
| 1 | 214603000 | Chassis - TQS 3 Bin | 1 |
| 2 | 197116213 | Bin Pad | 8 |
| 3 | 219001001 | Bin Pad - Centre Hole | 2 |
| 4 | 219001002 | Bin Pad - End Hole | 4 |
| 5 | 108000075 | Plug - 3" Female | 6 |
| 6 | 214602026 | Breakaway & Coupling Assy | 1 |
| 7 | 197401320 | Bin Rubber - 13 ID x 40 OD x 20 | 6 |
| 8 | 219000001 | Cupped Washer | 6 |
| 9 | 000130705 | Bolt Hex Hd 1/2" UNC x 2-3/4" | 6 |
| 10 | 196008038 | Serial Number Plate | 1 |
| 11 | 059610000 | Drive Screw 6g x 3/8" | 4 |
| 12 | 085110000 | Flat Washer 10 ID | 8 |
| 13 | 000100755 | Bolt Hex Hd 3/8" UNC x 3" | 2 |
| 14 | 030130101 | Nut 3/8" UNC Nyloc | 2 |
| 15 | 080121000 | Nut M10 Nyloc | 4 |
| 16 | 050100308 | Bolt Hex Hd M10 x 30 | 4 |
| 17 | 115001512 | Cable Clamp | 4 |
| 18 | 094105000 | Pop Rivet 3/16" Steel | 4 |
| 19 | 035101238 | Flat Washer 1/2" ID | 6 |

| Key | Part Number | Description | Qty |
|-----|-------------|-------------|-----|
|-----|-------------|-------------|-----|



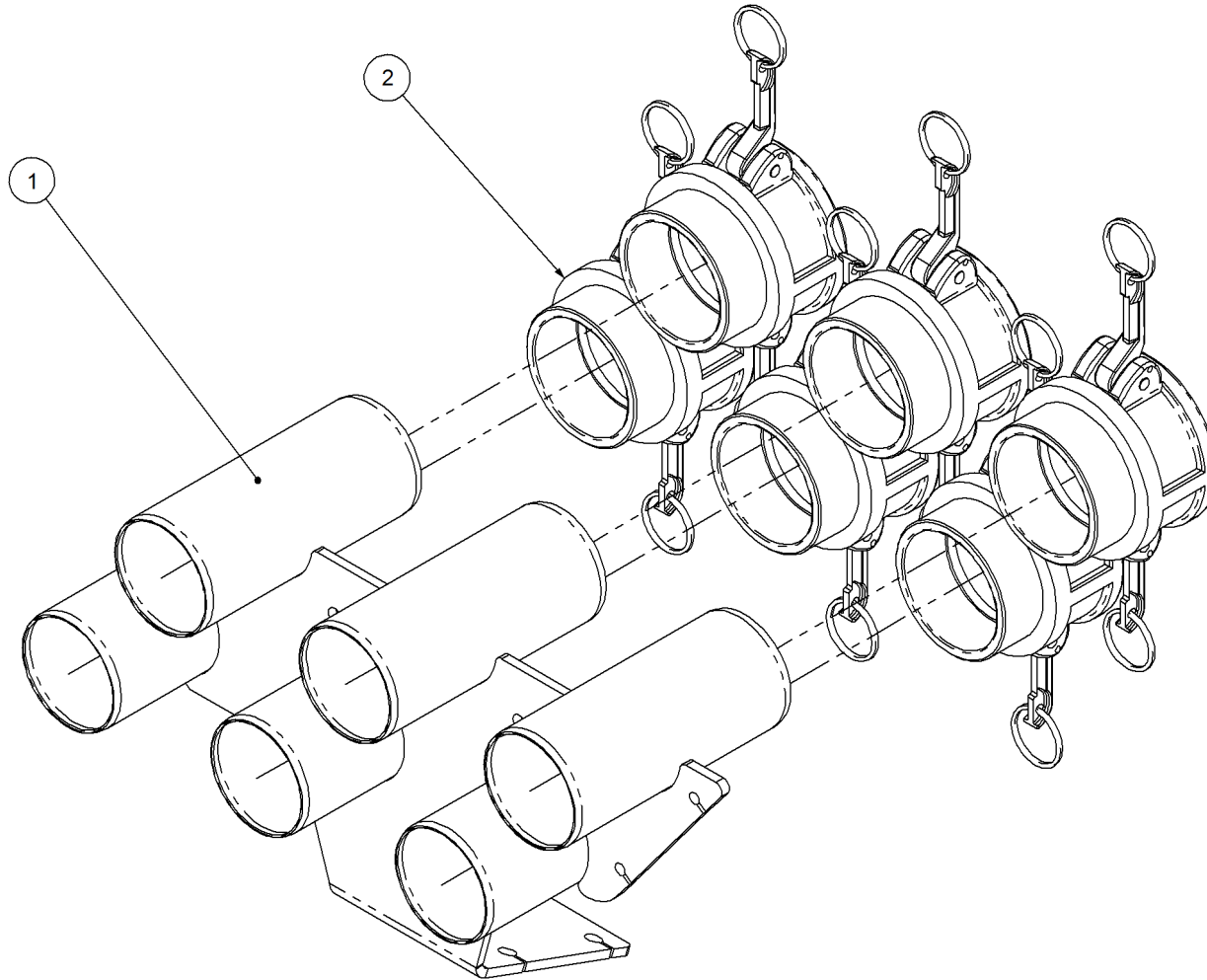


P/N 214603240

Chassis Kit - TQS 3 Bin - Xtra Steer

| Key | Part Number | Description | Qty |
|-----|-------------|---------------------------------|-----|
| 1 | 214603200 | Chassis Kit - TQS 3 Bin | 1 |
| 2 | 197116213 | Bin Pad | 8 |
| 3 | 219001001 | Bin Pad - Centre Hole | 2 |
| 4 | 219001002 | Bin Pad - End Hole | 4 |
| 5 | 108000075 | Plug - 3" Female | 6 |
| 6 | 214602026 | Breakaway & Coupling Assy | 1 |
| 7 | 197401320 | Bin Rubber - 13 ID x 40 OD x 20 | 6 |
| 8 | 219000001 | Cupped Washer | 6 |
| 9 | 000130705 | Bolt Hex Hd 1/2" UNC x 2-3/4" | 6 |
| 10 | 196008038 | Serial Number Plate | 1 |
| 11 | 059610000 | Drive Screw 6g x 3/8" | 4 |
| 12 | 085110000 | Flat Washer 10 ID | 8 |
| 13 | 000100755 | Bolt Hex Hd 3/8" UNC x 3" | 2 |
| 14 | 030130101 | Nut 3/8" UNC Nyloc | 2 |
| 15 | 080121000 | Nut M10 Nyloc | 4 |
| 16 | 050100308 | Bolt Hex Hd M10 x 30 | 4 |
| 17 | 035101238 | Flat Washer 1/2" ID | 6 |

| Key | Part Number | Description | Qty |
|-----|-------------|-------------|-----|
|-----|-------------|-------------|-----|



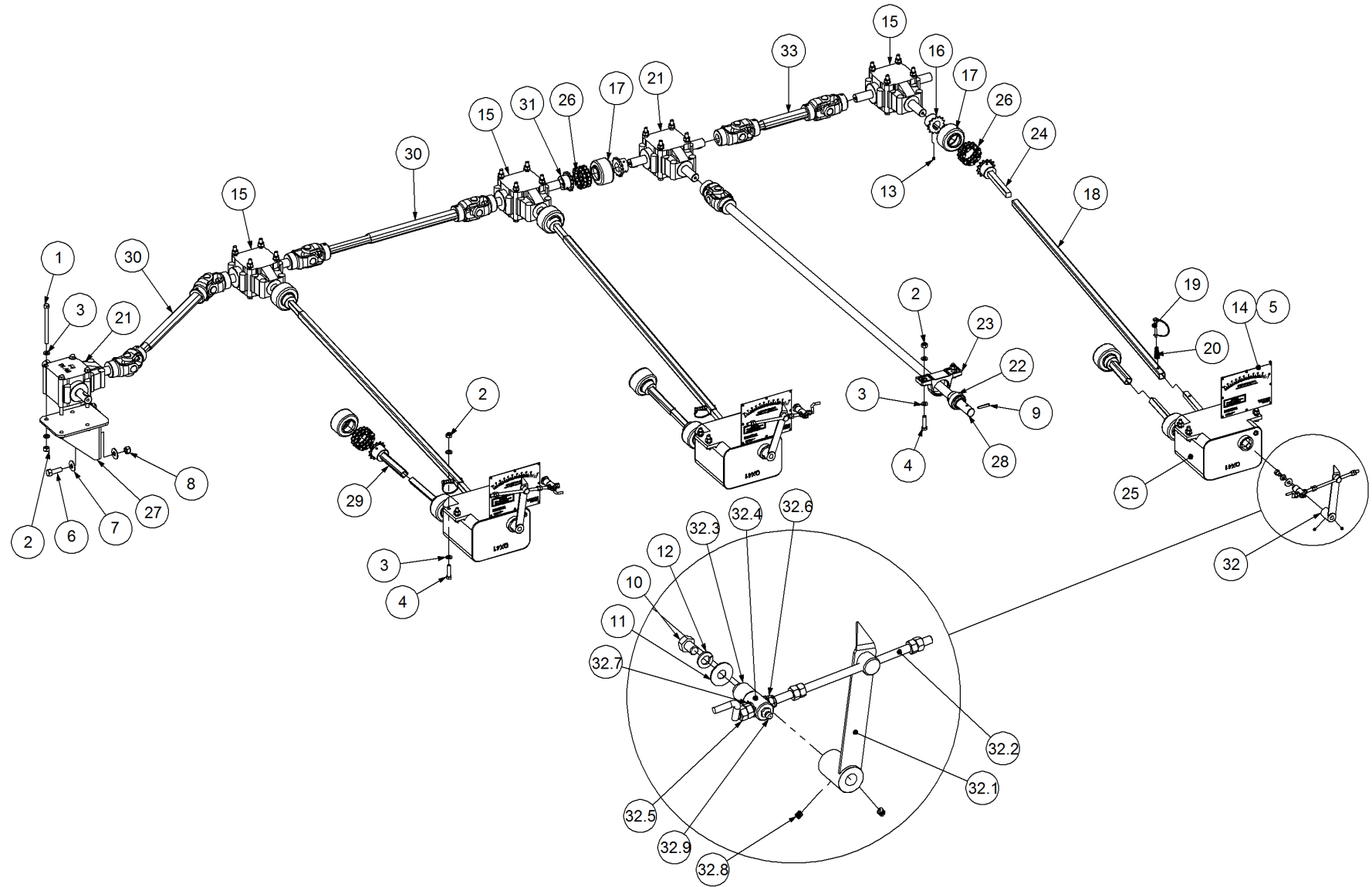


P/N 214602026

Breakaway & Coupling Assy

| Key | Part Number | Description | Qty |
|-----|-------------|----------------------|-----|
| 1 | 214602027 | Breakaway Mount | 1 |
| 2 | 108000176 | Coupling - 3" Female | 6 |

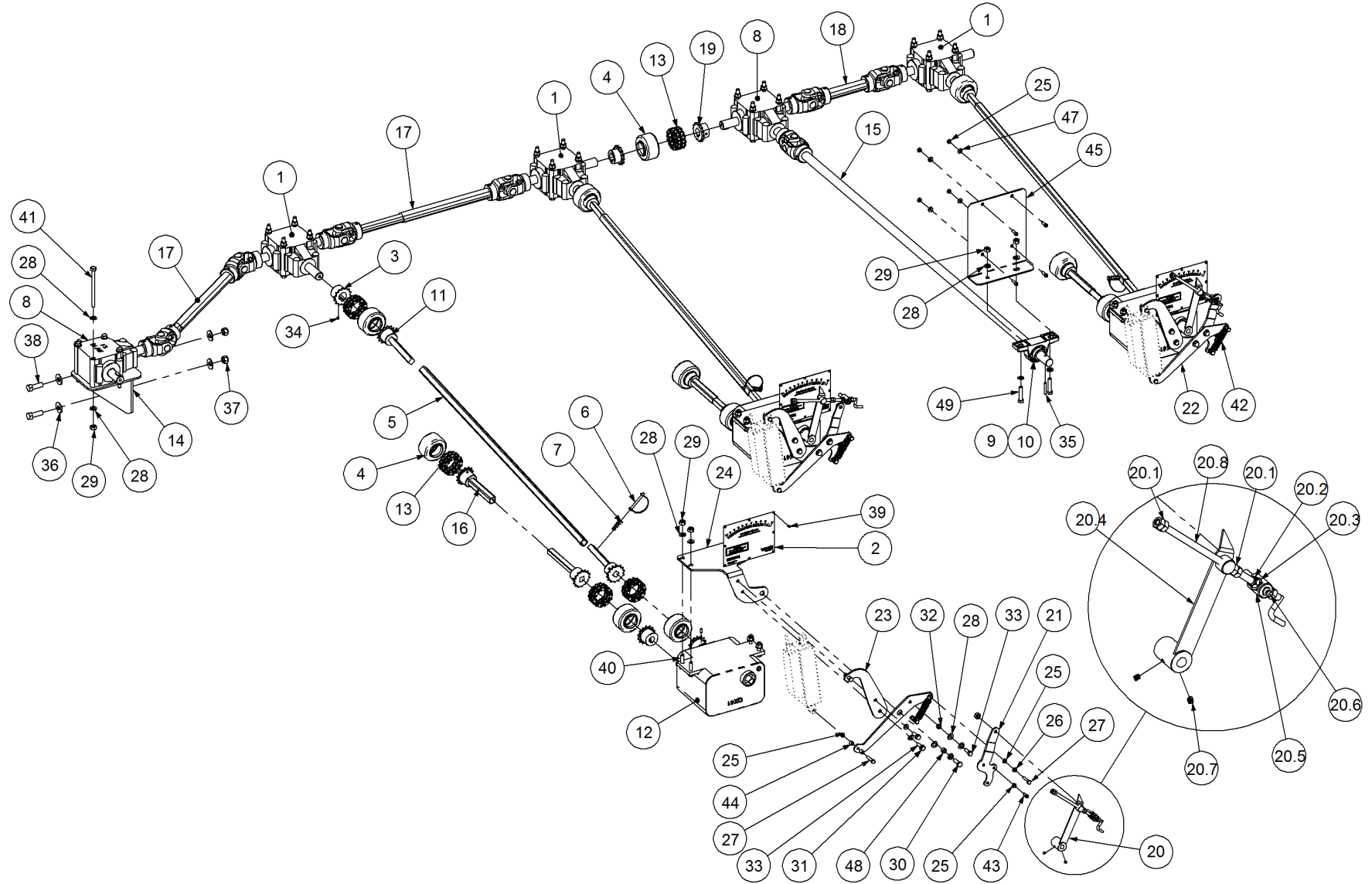
| Key | Part Number | Description | Qty |
|-----|-------------|-------------|-----|
|-----|-------------|-------------|-----|





P/N 290603000 Drive Kit - Ground Drive

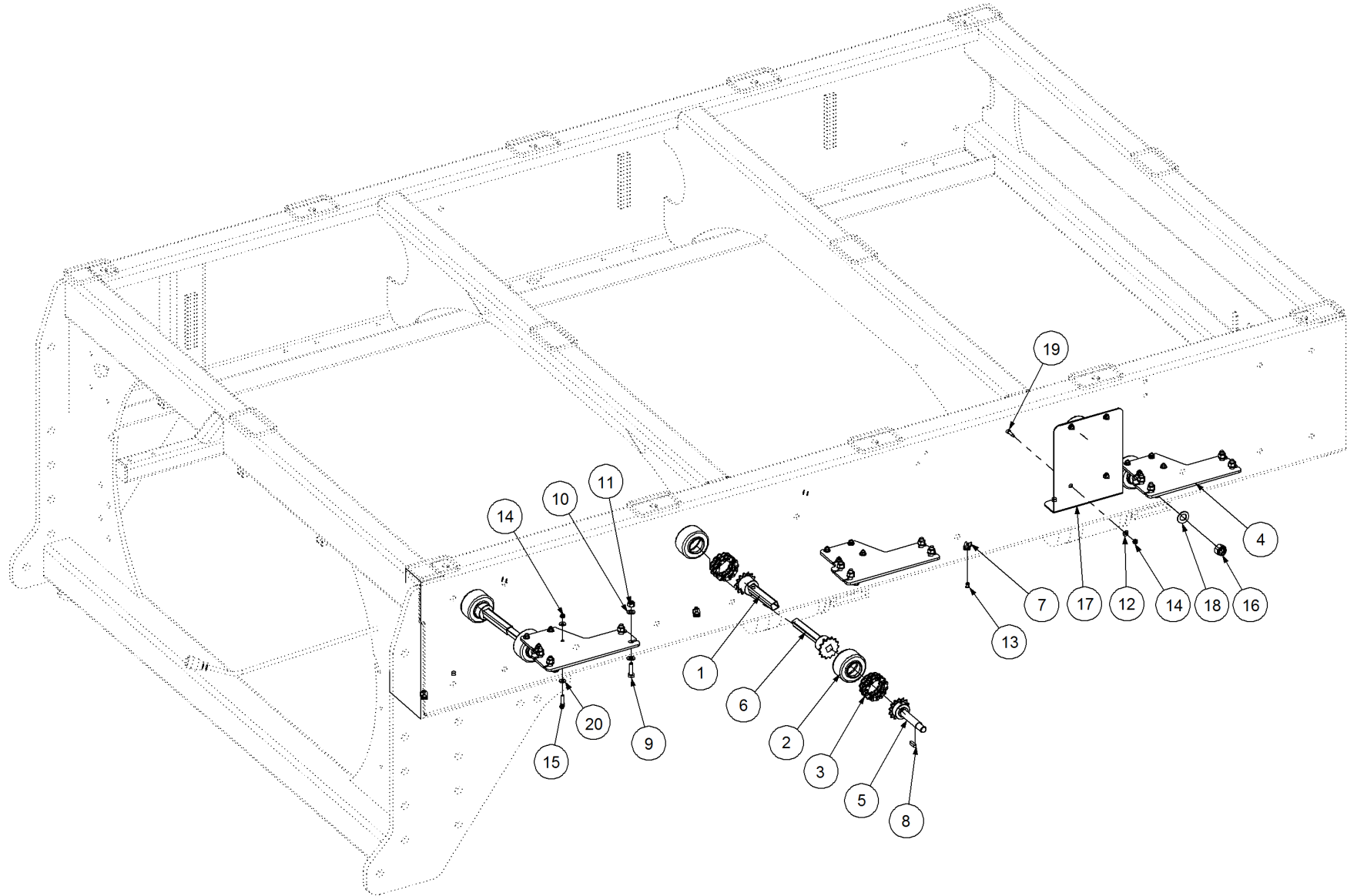
| Key | Part Number | Description | Qty | Key | Part Number | Description | Qty |
|------|-------------|--|-----|------|-------------|---------------------------------------|-----|
| 1 | 000101255 | Bolt Hex Hd 3/8" UNC x 5" | 20 | 31 | 127120141 | Sprocket (Steel) 1/2"BS x 14T - 25 ID | 2 |
| 2 | 030130101 | Nut 3/8" UNC Nyloc | 34 | 32 | 209600000 | Calibration Adjustment Kit | 3 |
| 3 | 035110191 | Flat Washer 3/8" ID | 68 | 32.1 | 209600005 | Calibration Indicator | 1 |
| 4 | 000100385 | Bolt Hex Hd 3/8" UNC x 1-1/2" | 14 | 32.2 | 209600001 | Indicator Adjusting Screw | 1 |
| 5 | 094103001 | Pop Rivet 1/8" Aluminium | 24 | 32.3 | 209600004 | Adaptor | 1 |
| 6 | 000130385 | Bolt Hex Hd 1/2" UNC x 1-1/2" | 2 | 32.4 | 209600007 | Swivel Screw | 1 |
| 7 | 035113250 | Flat Washer 1/2" ID | 4 | 32.5 | 030110081 | Nut 5/16" UNC | 6 |
| 8 | 030130131 | Nut 1/2" UNC Nyloc | 2 | 32.6 | 030130081 | Nut 5/16" UNC Nyloc | 1 |
| 9 | 090106038 | Roll Pin 1/4" x 1-1/2" | 1 | 32.7 | 035108161 | Flat Washer 5/16" ID | 2 |
| 10 | 000100135 | Bolt Hex Hd 3/8" UNC x 1/2" | 3 | 32.8 | 013110606 | Grub Screw 1/4" UNC x 1/4" | 2 |
| 11 | 035110251 | Flat Washer 3/8" ID | 3 | 32.9 | 111206000 | Grease Nipple 1/4" UNF | 1 |
| 12 | 036110000 | Spring Washer 3/8" ID | 3 | 33 | 131210420 | Drive Shaft & Universal | 1 |
| 13 | 013110606 | Grub Screw 1/4" UNC x 1/4" | 7 | | | | |
| 14 | 192017514 | Calibration Dial | 3 | | | | |
| 15 | 130010111 | Gearbox - Ratio 3.25:1 | 3 | | | | |
| 15.1 | 130025477 | Seal 25 ID - Gearbox | 3 | | | | |
| 16 | 290000034 | Sprocket (Plastic) 1/2" BS x 14T - 25 ID | 3 | | | | |
| 17 | 131000004 | Chain Boot | 7 | | | | |
| 18 | 290601080 | Drive Tube | 3 | | | | |
| 19 | 095306050 | Lynch Pin 1/4" | 3 | | | | |
| 20 | 124112032 | Spring - Compression | 3 | | | | |
| 21 | 130010006 | Gearbox - Ratio 1:1 | 2 | | | | |
| 21.1 | 130025477 | Seal 25 ID - Gearbox | 3 | | | | |
| 22 | 135520525 | Bearing - 1" ID | 1 | | | | |
| 23 | 136420500 | Bearing Housing - Pillow Block | 1 | | | | |
| 24 | 290000007 | Drive Shaft w/- Sprocket - 170 Lg | 3 | | | | |
| 25 | 290000030 | Zero Max QX41 w/- Sprockets & Shafts | 3 | | | | |
| 26 | 125412120 | Chain 1/2" BS Duplex 13L | 7 | | | | |
| 27 | 212602022 | Gearbox Mount | 1 | | | | |
| 28 | 290602055 | Crank Shaft w/- Universal | 1 | | | | |
| 29 | 290000009 | Drive Tube w/- Sprocket - 150 Lg | 3 | | | | |
| 30 | 131210570 | Drive Shaft & Universal | 2 | | | | |





P/N 290603002 Drive Kit - Linear Control

| Key | Part Number | Description | Qty | Key | Part Number | Description | Qty |
|------|-------------|--|-----|-----|-------------|----------------------------------|-----|
| 1 | 130010111 | Gearbox - Ratio 3.25:1 | 3 | 23 | 209601004 | Actuator Top Arm | 3 |
| 1.1 | 130025477 | Seal 25 ID - Gearbox | 3 | 24 | 209601002 | Actuator Base Plate | 3 |
| 2 | 192017514 | Calibration Dial | 3 | 25 | 030130061 | Nut 1/4" UNC Nyloc | 19 |
| 3 | 290000034 | Sprocket (Plastic) 1/2" BS x 14T - 25 ID | 3 | 26 | 030110061 | Nut 1/4" UNC | 6 |
| 4 | 131000004 | Chain Boot | 7 | 27 | 000060325 | Bolt Hex Hd 1/4" UNC x 1-1/4" | 12 |
| 5 | 290601080 | Drive Tube | 3 | 28 | 035110191 | Flat Washer 3/8" ID | 80 |
| 6 | 095306050 | Lynch Pin 1/4" | 3 | 29 | 030130101 | Nut 3/8" UNC Nyloc | 40 |
| 7 | 124112032 | Spring - Compression | 3 | 30 | 000100255 | Bolt Hex Hd 3/8" UNC x 1" | 3 |
| 8 | 130010006 | Gearbox - Ratio 1:1 | 2 | 31 | 035108161 | Flat Washer 5/16" ID | 12 |
| 8.1 | 130025477 | Seal 25 ID - Gearbox | 3 | 32 | 030130081 | Nut 5/16" UNC Nyloc | 9 |
| 9 | 135520525 | Bearing - 1" ID | 1 | 33 | 000080255 | Bolt Hex Hd 5/16" UNC x 1" | 9 |
| 10 | 136420500 | Bearing Housing - Pillow Block | 1 | 34 | 013110606 | Grub Screw 1/4" UNC x 1/4" | 7 |
| 11 | 290000007 | Drive Shaft w/- Sprocket - 170 Lg | 3 | 35 | 090106038 | Roll Pin 1/4" x 1-1/2" | 1 |
| 12 | 290000030 | Zero Max QX41 w/- Sprockets & Shafts | 3 | 36 | 035113250 | Flat Washer 1/2" ID | 4 |
| 13 | 125412120 | Chain 1/2" BS Duplex 13L | 7 | 37 | 030130131 | Nut 1/2" UNC Nyloc | 2 |
| 14 | 212602022 | Gearbox Mount | 1 | 38 | 000130385 | Bolt Hex Hd 1/2" UNC x 1-1/2" | 2 |
| 15 | 290602055 | Crank Shaft w/- Universal | 1 | 39 | 094103001 | Pop Rivet 1/8" Aluminium | 24 |
| 16 | 290000009 | Drive Tube w/- Sprocket - 150 Lg | 3 | 40 | 000100385 | Bolt Hex Hd 3/8" UNC x 1-1/2" | 12 |
| 17 | 131210570 | Drive Shaft & Universal | 2 | 41 | 000101255 | Bolt Hex Hd 3/8" UNC x 5" | 20 |
| 18 | 131210420 | Drive Shaft & Universal | 1 | 42 | 124148050 | Spring - Tension | 3 |
| 19 | 127120141 | Sprocket (Steel) 1/2"BS x 14T - 25 ID | 2 | 43 | 010106012 | Cap Screw 1/4" UNC x 1/2" | 3 |
| 20 | 209601001 | Linear Calibration Adjustment Kit | 3 | 44 | 209601006 | Bush | 12 |
| 20.1 | 030110081 | Nut 5/16" UNC | 6 | 45 | 214602044 | Chassis Mount - KEE Control Unit | 1 |
| 20.2 | 030130081 | Nut 5/16" UNC Nyloc | 1 | 46 | 010106019 | Cap Screw 1/4" UNC x 3/4" | 4 |
| 20.3 | 035108161 | Flat Washer 5/16" ID | 2 | 47 | 035106151 | Flat Washer 1/4" ID | 4 |
| 20.4 | 209600005 | Calibration Indicator | 1 | 48 | 208400076 | Indent Plate Spacer - 4 Way | 3 |
| 20.5 | 290601007 | Screw Swivel | 1 | 49 | 000100445 | Bolt Hex Hd 3/8" UNC x 1-3/4" | 2 |
| 20.6 | 111206000 | Grease Nipple 1/4" UNF | 1 | | | | |
| 20.7 | 013110606 | Grub Screw 1/4" UNC x 1/4" | 2 | | | | |
| 20.8 | 209600001 | Indicator Adjusting Screw | 1 | | | | |
| 21 | 209601005 | Actuator Spring Arm | 3 | | | | |
| 22 | 209601003 | Actuator Main Arm | 3 | | | | |

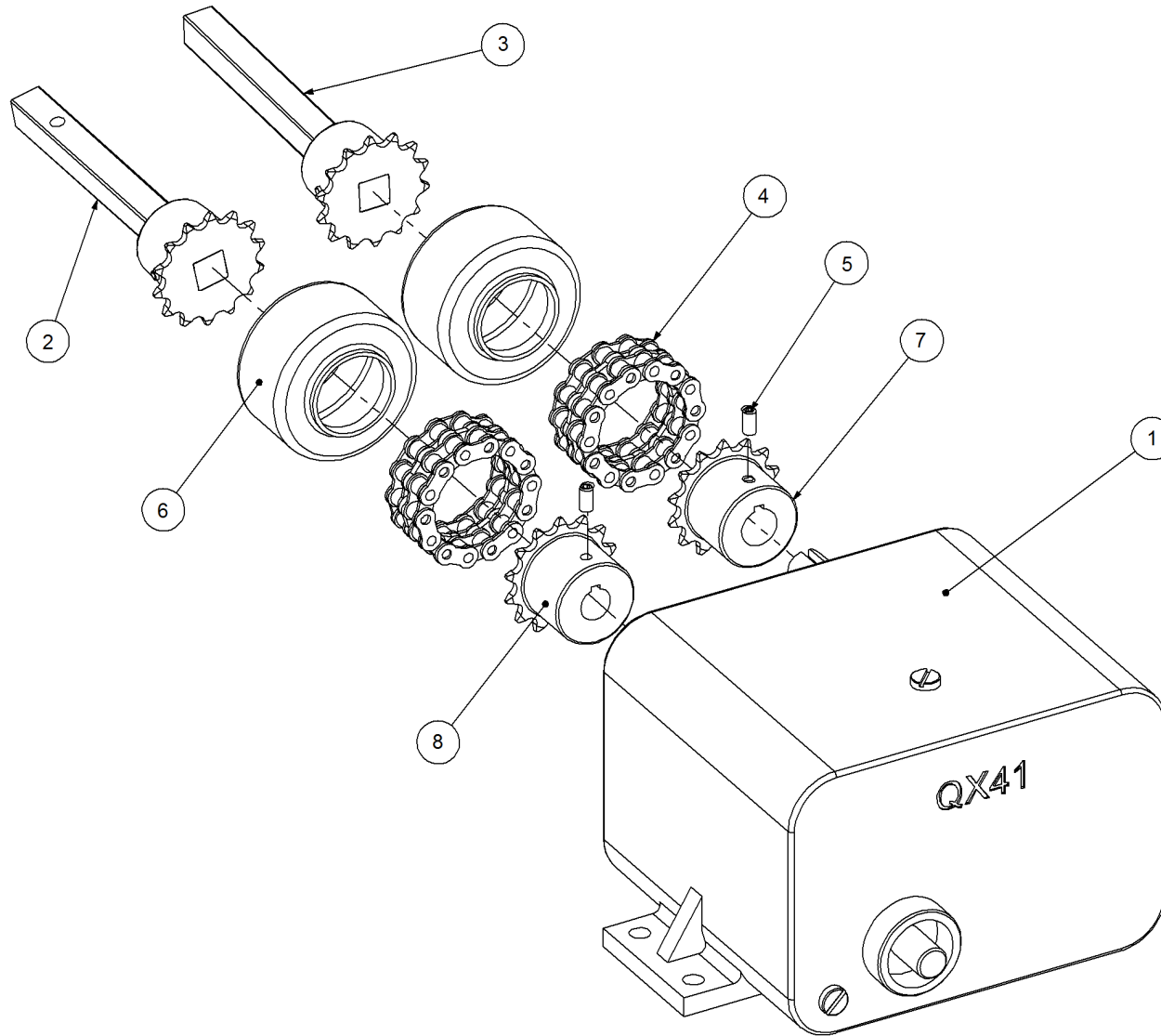




P/N 290603001 Drive Kit - Electric Drive

| Key | Part Number | Description | Qty |
|-----|-------------|-----------------------------------|-----|
| 1 | 290000009 | Drive Tube w/- Sprocket - 150 Lg | 3 |
| 2 | 131000004 | Chain Boot | 6 |
| 3 | 125412120 | Chain 1/2" BS Duplex 13L | 6 |
| 4 | 290000070 | Mount Plate | 3 |
| 5 | 290000005 | Input Shaft | 3 |
| 6 | 290000007 | Drive Shaft w/- Sprocket - 170 Lg | 3 |
| 7 | 115001512 | Cable Clamp | 3 |
| 8 | 184006006 | Key 6 x 6 x 25 Lg | 3 |
| 9 | 000100325 | Bolt Hex Hd 3/8" UNC x 1-1/4" | 14 |
| 10 | 035110191 | Flat Washer 3/8" ID | 28 |
| 11 | 030130101 | Nut 3/8" UNC Nyloc | 14 |
| 12 | 035106151 | Flat Washer 1/4" ID | 4 |
| 13 | 094105000 | Pop Rivet 3/16" Steel | 3 |
| 14 | 030130061 | Nut 1/4" UNC Nyloc | 16 |
| 15 | 010106025 | Cap Screw 1/4" UNC x 1" | 12 |
| 16 | 030130161 | Nut 5/8" UNC Nyloc | 3 |
| 17 | 214602044 | Chassis Mount - KEE Control Unit | 1 |
| 18 | 035116351 | Flat Washer 5/8" ID | 3 |
| 19 | 010106019 | Cap Screw 1/4" UNC x 3/4" | 4 |
| 20 | 035106161 | Flat Washer 1/4" ID | 24 |

| Key | Part Number | Description | Qty |
|-----|-------------|-------------|-----|
|-----|-------------|-------------|-----|

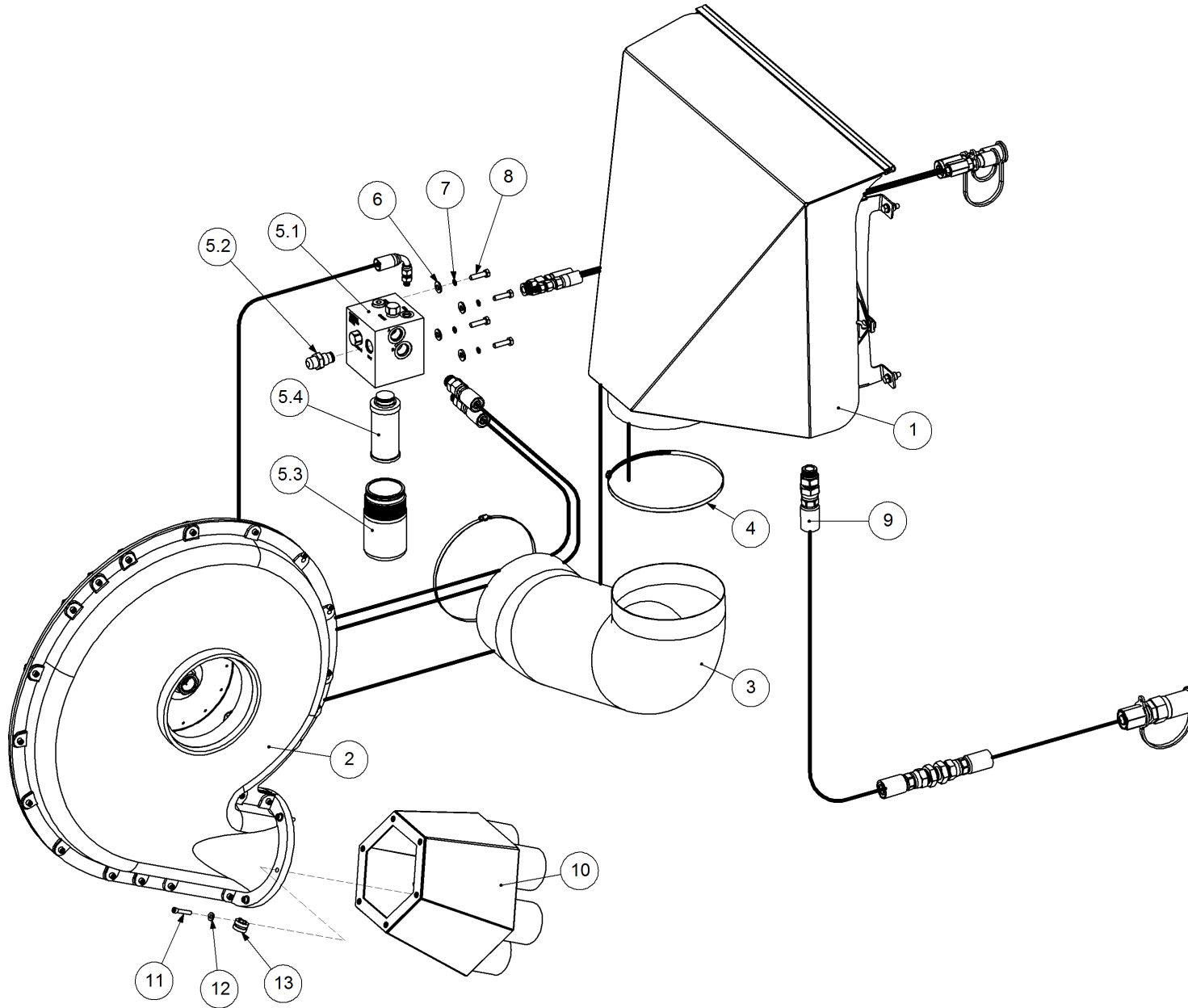




P/N 290000030 Zero Max QX41 w/- Sprockets & Shafts

| Key | Part Number | Description | Qty |
|------------|--------------------|--|------------|
| 1 | 130000410 | Zero Max QX41 Gear Box | 1 |
| 1.1 | 130012020 | Seal 3/4" ID - QX Zeromax | 2 |
| 1.2 | 130552100 | Gasket - QX Zeromax | 2 |
| 2 | 290000011 | Drive Shaft w/- Sprocket | 1 |
| 3 | 290000007 | Drive Shaft w/- Sprocket - 170 Lg | 1 |
| 4 | 125412120 | Chain 1/2" BS Duplex 13L | 2 |
| 5 | 013110613 | Grub Screw 1/4" UNC x 1/2" | 2 |
| 6 | 131000004 | Chain Boot | 2 |
| 7 | 290000031 | Sprocket (Plastic) 1/2" BS x 14T - 3/4" ID | 1 |
| 8 | 290000032 | Sprocket (Plastic) 1/2" BS x 14T - 5/8" ID | 1 |

| Key | Part Number | Description | Qty |
|------------|--------------------|--------------------|------------|
|------------|--------------------|--------------------|------------|

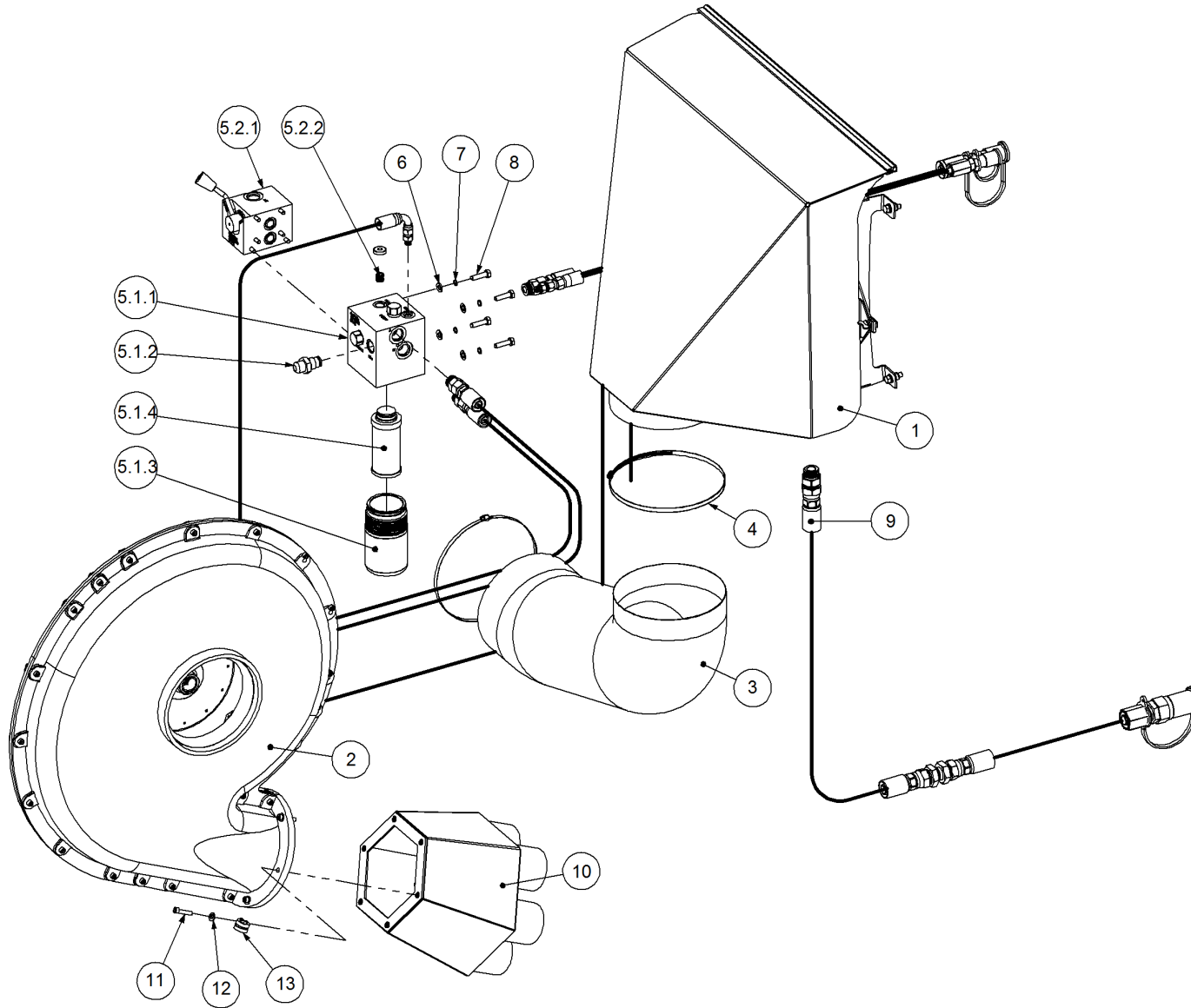




P/N 250000003 Blower Kit - Rexroth

| Key | Part Number | Description | Qty |
|-----|-------------|-------------------------------|-----|
| 1 | 205600010 | Cooler Assy | 1 |
| 2 | 251902000 | Blower - Rexroth | 1 |
| 3 | 205001000 | Hose - 8" Nyladuct | 1 |
| 4 | 101178229 | Hose Clamp - 178 - 229 | 2 |
| 5 | 254000002 | Anti Cavity Manifold | 1 |
| 5.1 | 161000003 | Anti Cavity Manifold | 1 |
| 5.2 | 161000005 | HI-VT Indicator | 1 |
| 5.3 | 254000001 | Filter Bowl | 1 |
| 5.4 | 159424400 | Filter Element | 1 |
| 6 | 085108000 | Flat Washer 8 ID | 4 |
| 7 | 086108000 | Spring Washer 8 ID | 4 |
| 8 | 050080308 | Bolt Hex Hd M8 x 30 | 4 |
| 9 | 150000042 | Hydraulic Hose & Fittings Kit | 1 |
| 10 | 259602000 | Blower Outlet - 6 Outlet | 1 |
| 11 | 010106032 | Cap Screw 1/4" UNC x 1-1/4" | 6 |
| 12 | 035106151 | Flat Washer 1/4" ID | 6 |
| 13 | 115001351 | Cable Clamp 18mm | 1 |

| Key | Part Number | Description | Qty |
|-----|-------------|-------------|-----|
|-----|-------------|-------------|-----|

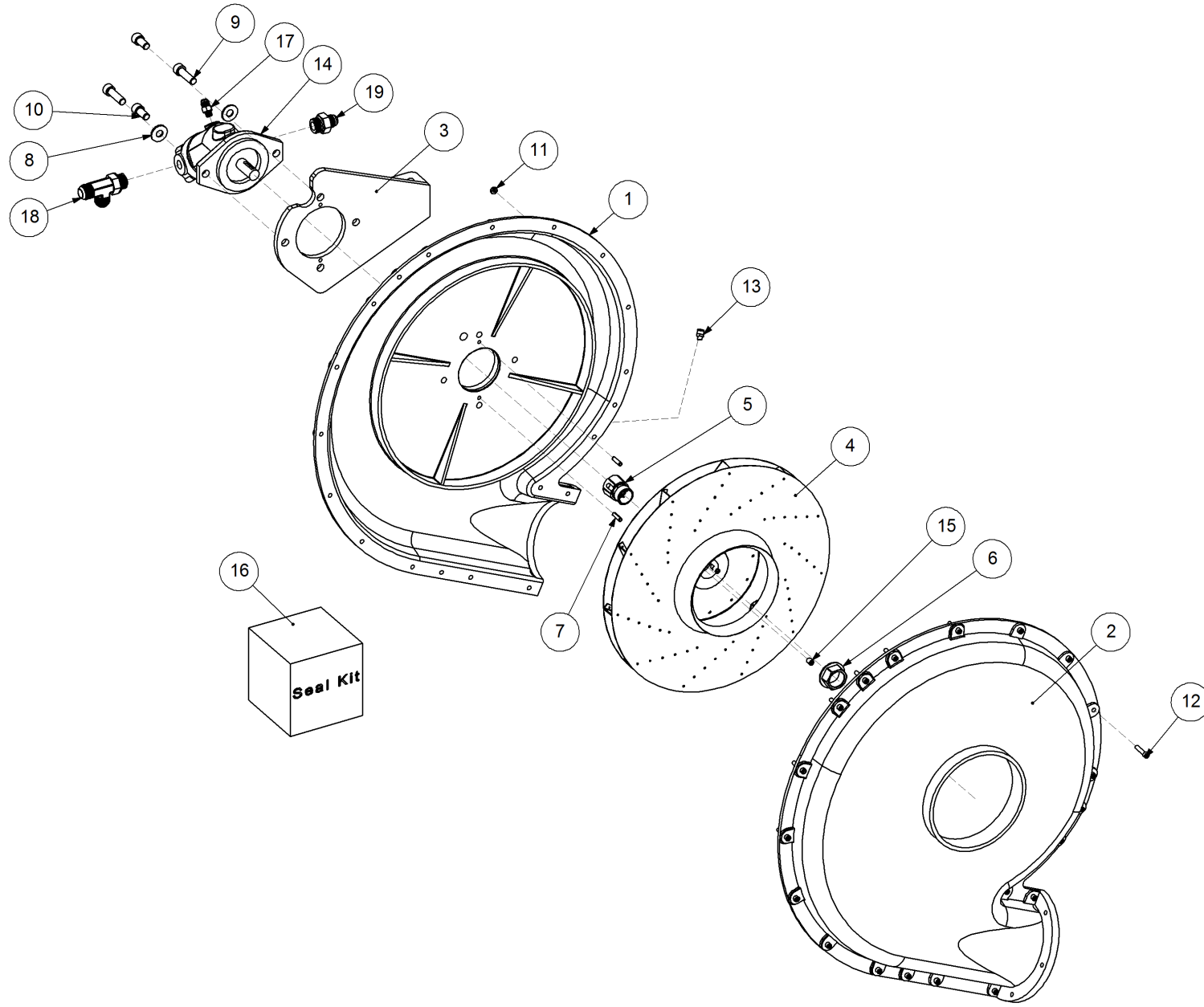




P/N 250000103 Blower Kit - Rexroth w/- Diverter Valve

| Key | Part Number | Description | Qty |
|-------|-------------|---------------------------------------|-----|
| 1 | 205600010 | Cooler Assy | 1 |
| 2 | 251902000 | Blower - Rexroth | 1 |
| 3 | 205001000 | Hose - 8" Nyladuct | 1 |
| 4 | 101178229 | Hose Clamp - 178 - 229 | 2 |
| 5 | 254000006 | Anti Cavity Manifold & Diverter Valve | 1 |
| 5.1 | 254000002 | Anti Cavity Manifold | 1 |
| 5.1.1 | 161000003 | Anti Cavity Manifold | 1 |
| 5.1.2 | 161000005 | HI-VT Indicator | 1 |
| 5.1.3 | 254000001 | Filter Bowl | 1 |
| 5.1.4 | 159424400 | Filter Element | 1 |
| 5.2 | 254000003 | Diverter Valve | 1 |
| 5.2.1 | 161000004 | Diverter Valve 6 Bolt Version | 1 |
| 5.2.2 | 013451313 | Fitting - Plug 1/4" BspM | 1 |
| 6 | 085108000 | Flat Washer 8 ID | 4 |
| 7 | 086108000 | Spring Washer 8 ID | 4 |
| 8 | 050080308 | Bolt Hex Hd M8 x 30 | 4 |
| 9 | 150000042 | Hydraulic Hose & Fittings Kit | 1 |
| 10 | 259602000 | Blower Outlet - 6 Outlet | 1 |
| 11 | 010106032 | Cap Screw 1/4" UNC x 1-1/4" | 6 |
| 12 | 035106151 | Flat Washer 1/4" ID | 6 |
| 13 | 115001351 | Cable Clamp 18mm | 1 |

| Key | Part Number | Description | Qty |
|-----|-------------|-------------|-----|
|-----|-------------|-------------|-----|



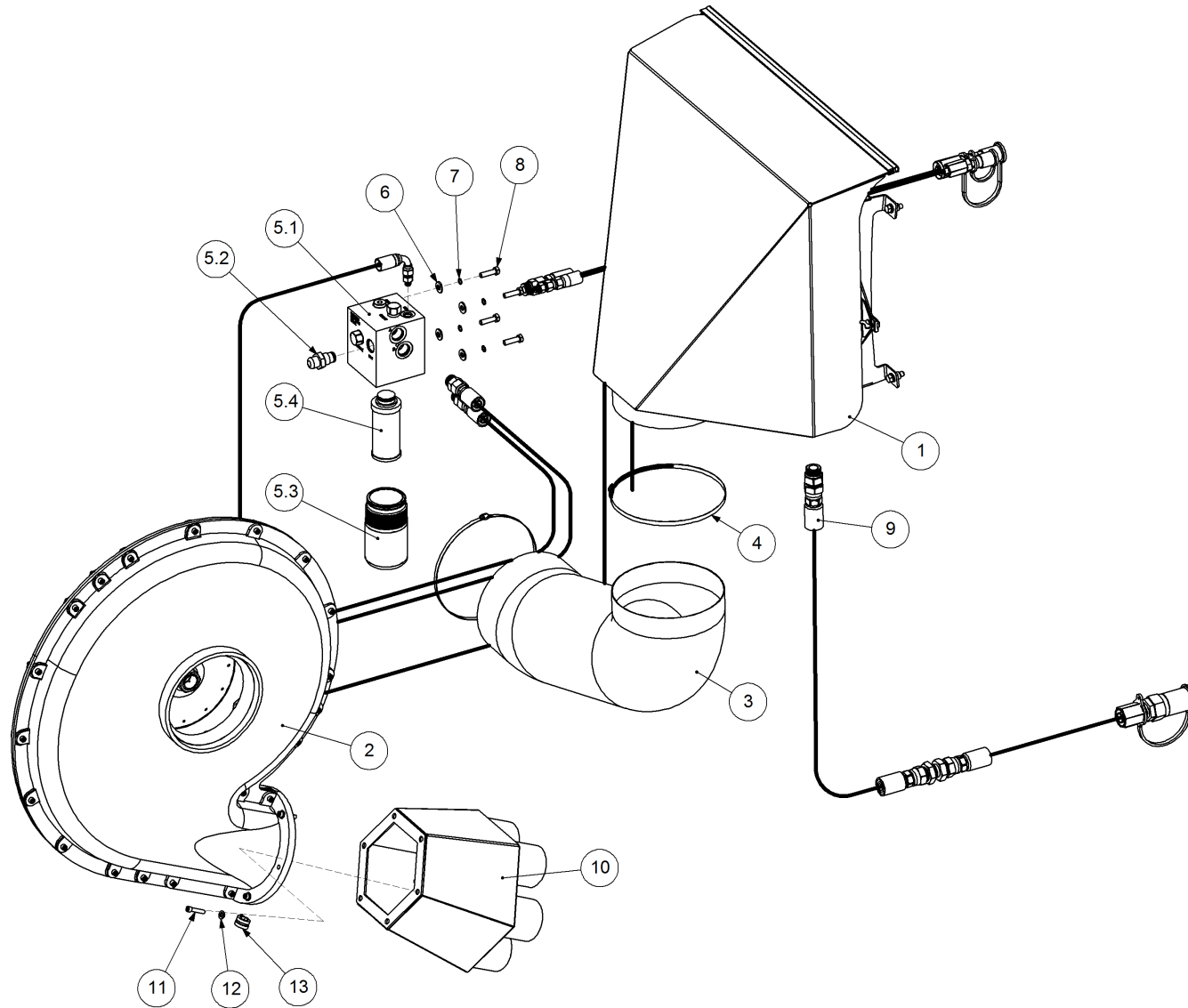


P/N 251902000 Blower - Rexroth

| Key | Part Number | Description | Qty |
|-----|----------------|--|-----|
| 1 | 259000006 | Blower Housing - Drive Side | 1 |
| 2 | 259000003 | Blower Housing - Intake Side | 1 |
| 3 | 259000021 | Blower Mount | 1 |
| 4 | 259000010 | Blower Impeller | 1 |
| 5 | 259000032 | Blower Taper Bush - 20mm | 1 |
| 6 | 259000030 | Blower Taper Bush Nut | 1 |
| 7 | 090106025 | Roll Pin 1/4" x 1" | 2 |
| 8 | 035113250 | Flat Washer 1/2" ID | 2 |
| 9 | 010113045 | Cap Screw 1/2" UNC x 1-3/4" | 2 |
| 10 | 010113025 | Cap Screw 1/2" UNC x 1" | 2 |
| 11 | 030130061 | Nut 1/4" UNC Nyloc | 20 |
| 12 | 010106032 | Cap Screw 1/4" UNC x 1-1/4" | 20 |
| 13 | 110110618 | Fitting - Connector 1/8" BspM x 6mm Hose | 1 |
| 14 | 259000052 | Hydraulic Motor - Rexroth | 1 |
| 15 | 013121012 | Grub Screw 3/8" UNC x 1/2" (Oval) | 2 |
| 16 | 158823508 | Seal Kit suits Rexroth | 1 |
| 17 | 1526F5OX-S | Fitting - Connector 9/16" JicM x 9/16" UnoM | 1 |
| 18 | 15212R5OX-S | Fitting - Tee 1-1/16" JicM x 1-1/16" JicM x 1-1/16" UnoM | 1 |
| 19 | 15210-12F5OX-S | Fitting - Connector 7/8" JicM x 1-1/16" UnoM | 1 |

| Key | Part Number | Description | Qty |
|-----|-------------|-------------|-----|
|-----|-------------|-------------|-----|

P/N 25000002 Blower Kit - Volvo

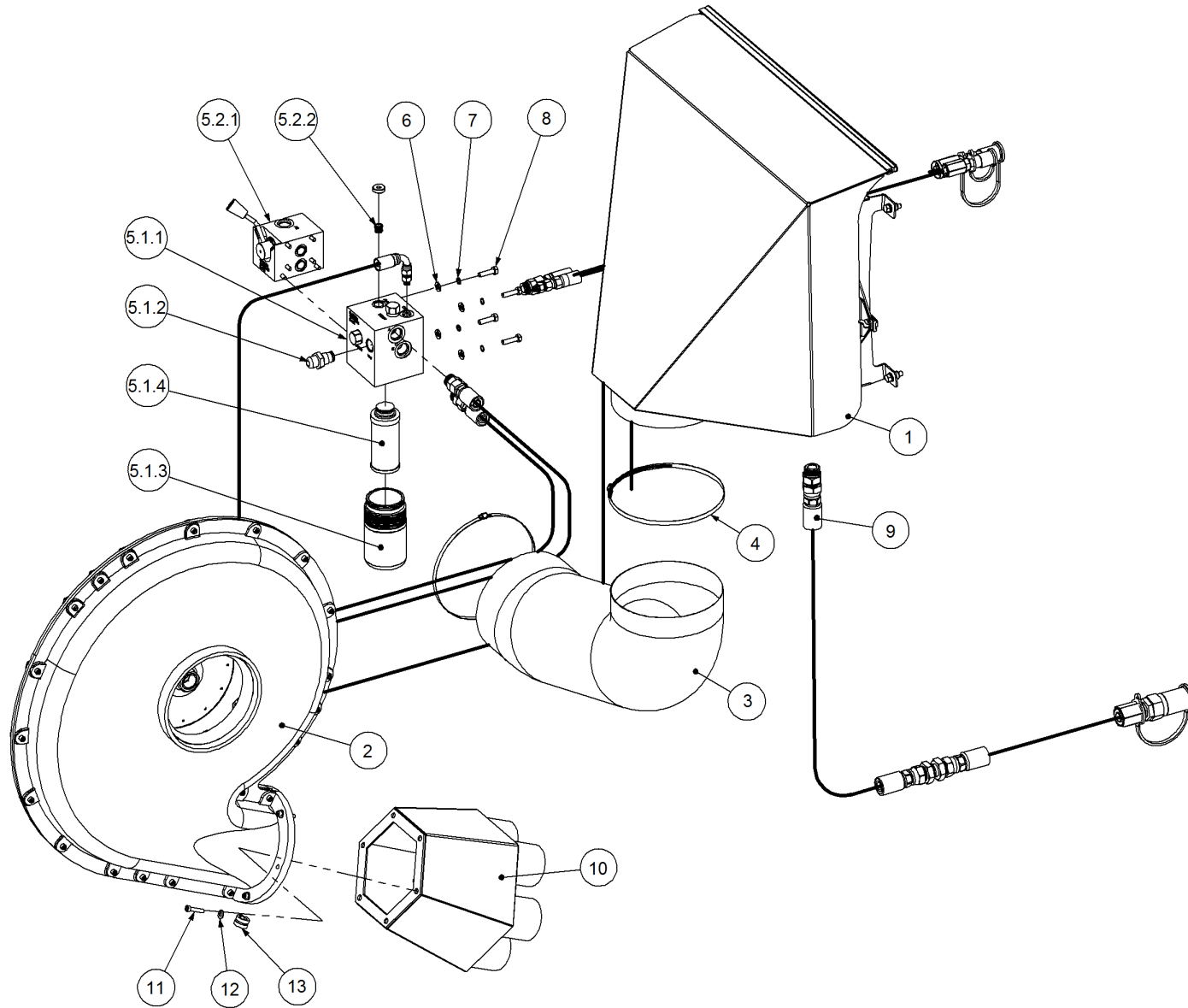




P/N 250000002 Blower Kit - Volvo

| Key | Part Number | Description | Qty |
|-----|-------------|-------------------------------|-----|
| 1 | 205600010 | Cooler Assy | 1 |
| 2 | 250902003 | Blower - Volvo (90 Deg) | 1 |
| 3 | 205001000 | Hose - 8" Nyladuct | 1 |
| 4 | 101178229 | Hose Clamp - 178 - 229 | 2 |
| 5 | 254000002 | Anti Cavity Manifold | 1 |
| 5.1 | 161000003 | Anti Cavity Manifold | 1 |
| 5.2 | 161000005 | HI-VT Indicator | 1 |
| 5.3 | 254000001 | Filter Bowl | 1 |
| 5.4 | 159424400 | Filter Element | 1 |
| 6 | 085108000 | Flat Washer 8 ID | 4 |
| 7 | 086108000 | Spring Washer 8 ID | 4 |
| 8 | 050080308 | Bolt Hex Hd M8 x 30 | 4 |
| 9 | 150000042 | Hydraulic Hose & Fittings Kit | 1 |
| 10 | 259602000 | Blower Outlet - 6 Outlet | 1 |
| 11 | 010106032 | Cap Screw 1/4" UNC x 1-1/4" | 6 |
| 12 | 035106151 | Flat Washer 1/4" ID | 6 |
| 13 | 115001351 | Cable Clamp 18mm | 1 |

| Key | Part Number | Description | Qty |
|-----|-------------|-------------|-----|
|-----|-------------|-------------|-----|

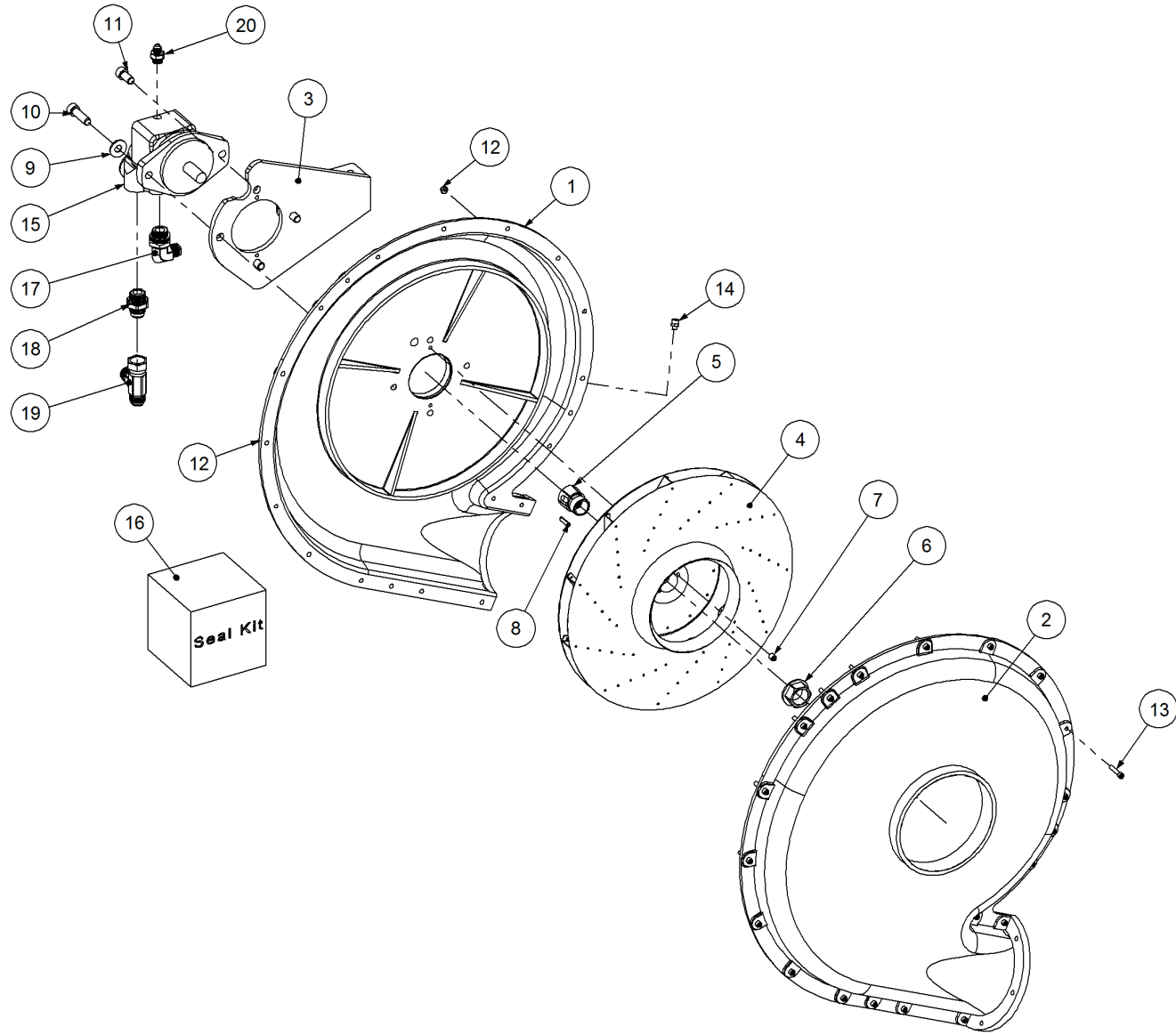




P/N 250000102 Blower Kit - Volvo w/- Diverter Valve

| Key | Part Number | Description | Qty |
|-------|-------------|---------------------------------------|-----|
| 1 | 205600010 | Cooler Assy | 1 |
| 2 | 250902003 | Blower - Volvo (90 Deg) | 1 |
| 3 | 205001000 | Hose - 8" Nyladuct | 1 |
| 4 | 101178229 | Hose Clamp - 178 - 229 | 2 |
| 5 | 254000006 | Anti Cavity Manifold & Diverter Valve | 1 |
| 5.1 | 254000002 | Anti Cavity Manifold | 1 |
| 5.1.1 | 161000003 | Anti Cavity Manifold | 1 |
| 5.1.2 | 161000005 | HI-VT Indicator | 1 |
| 5.1.3 | 254000001 | Filter Bowl | 1 |
| 5.1.4 | 159424400 | Filter Element | 1 |
| 5.2 | 254000003 | Diverter Valve | 1 |
| 5.2.1 | 161000004 | Diverter Valve 6 Bolt Version | 1 |
| 5.2.2 | 013451313 | Fitting - Plug 1/4" BspM | 1 |
| 6 | 085108000 | Flat Washer 8 ID | 4 |
| 7 | 086108000 | Spring Washer 8 ID | 4 |
| 8 | 050080308 | Bolt Hex Hd M8 x 30 | 4 |
| 9 | 150000042 | Hydraulic Hose & Fittings Kit | 1 |
| 10 | 259602000 | Blower Outlet - 6 Outlet | 1 |
| 11 | 010106032 | Cap Screw 1/4" UNC x 1-1/4" | 6 |
| 12 | 035106151 | Flat Washer 1/4" ID | 6 |
| 13 | 115001351 | Cable Clamp 18mm | 1 |

| Key | Part Number | Description | Qty |
|-----|-------------|-------------|-----|
|-----|-------------|-------------|-----|



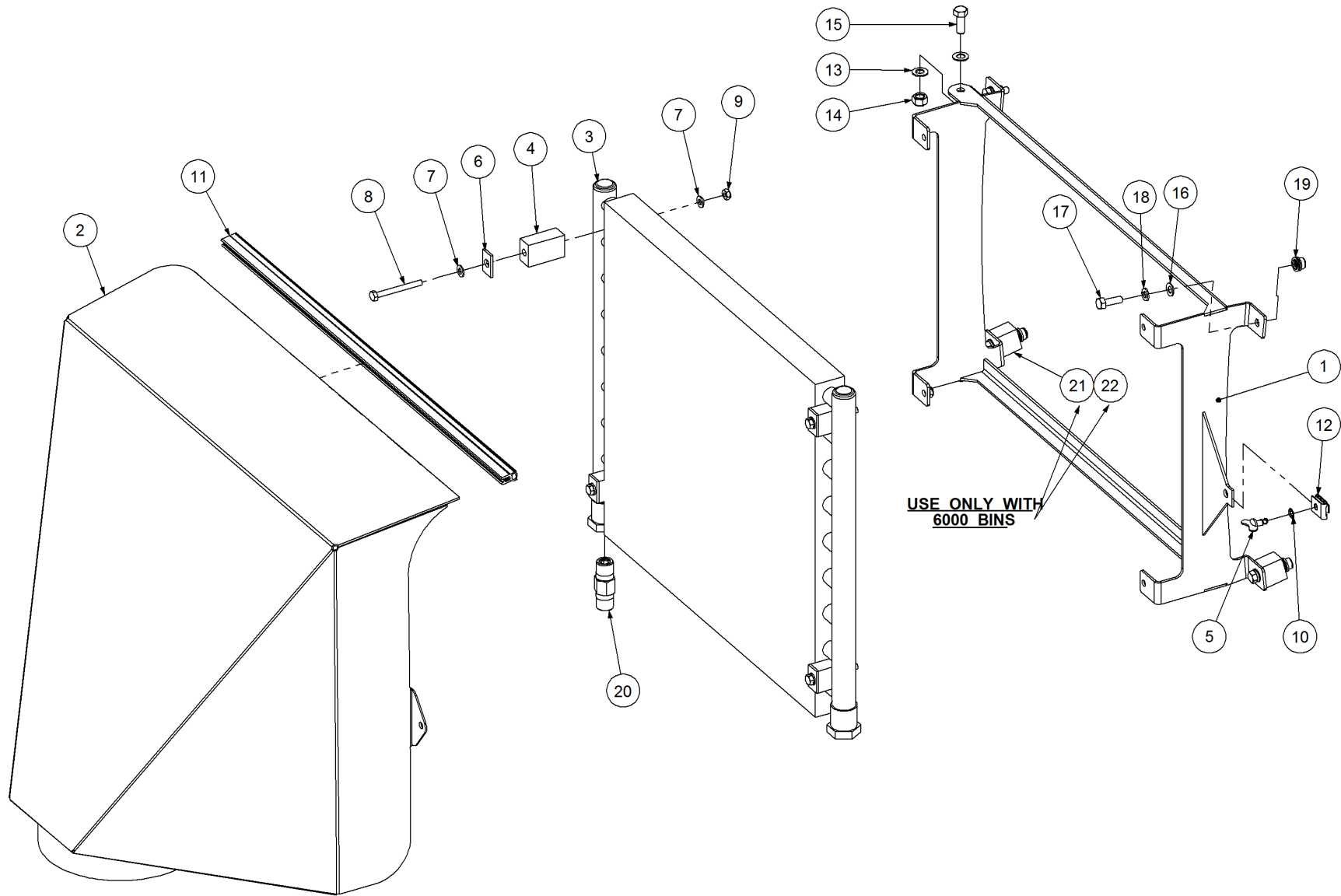


P/N 250902003 Blower - Volvo (90 Deg)

| Key | Part Number | Description | Qty |
|-----|-----------------|--|-----|
| 1 | 259000006 | Blower Housing - Drive Side | 1 |
| 2 | 259000003 | Blower Housing - Intake Side | 1 |
| 3 | 259000021 | Blower Mount | 1 |
| 4 | 259000010 | Blower Impeller | 1 |
| 5 | 259000032 | Blower Taper Bush - 20mm | 1 |
| 6 | 259000030 | Blower Taper Bush Nut | 1 |
| 7 | 013121012 | Grub Screw 3/8" UNC x 1/2" (Oval) | 2 |
| 8 | 090106025 | Roll Pin 1/4" x 1" | 2 |
| 9 | 035113250 | Flat Washer 1/2" ID | 2 |
| 10 | 010113045 | Cap Screw 1/2" UNC x 1-3/4" | 2 |
| 11 | 010113025 | Cap Screw 1/2" UNC x 1" | 2 |
| 12 | 030130061 | Nut 1/4" UNC Nyloc | 20 |
| 13 | 010106032 | Cap Screw 1/4" UNC x 1-1/4" | 20 |
| 14 | 110110618 | Fitting - Connector 1/8" BspM x 6mm Hose | 1 |
| 15 | 259111032 | Hydraulic Motor - Volvo | 1 |
| 16 | 259000060 | Seal & Backup Washer Kit suits Volvo | 1 |
| 17 | 15210-12C4OMX-S | Fitting - Elbow 90° 7/8" JicM x 3/4" BspM | 1 |
| 18 | 15212F4OMX-S | Fitting - Connector 1-1/16" JicM x 3/4" BspM | 1 |
| 19 | 15212R6X-S | Fitting - Tee 1-1/16" JicM x 1-1/16" JicM x 1-1/16" JicF | 1 |
| 20 | 1526-6F4OMXS | Fitting - Connector 9/16" JicM x 3/8" BspM | 1 |

| Key | Part Number | Description | Qty |
|-----|-------------|-------------|-----|
|-----|-------------|-------------|-----|

P/N 205600010 Cooler Assy

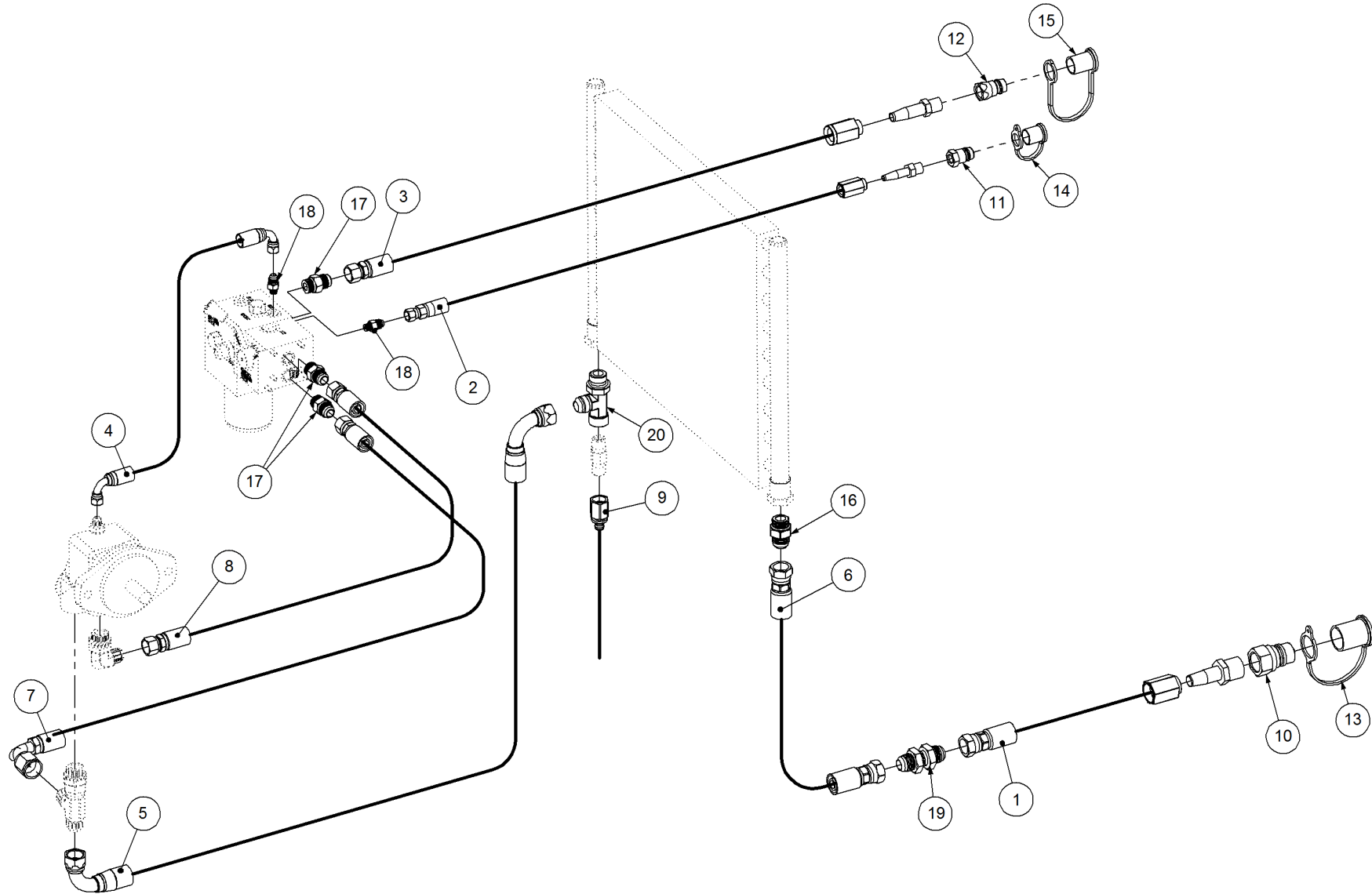




P/N 205600010 Cooler Assy

| Key | Part Number | Description | Qty |
|-----|-------------|---------------------------------|-----|
| 1 | 205603001 | Cooler Mount | 1 |
| 2 | 205600001 | Cooler Shroud | 1 |
| 3 | 163109241 | Oil Cooler | 1 |
| 4 | 197203050 | Rubber Cooler Mount | 4 |
| 5 | 067852260 | Wing Hd Stud -1/4 Turn Fastener | 1 |
| 6 | 203154007 | Spacer Washer | 4 |
| 7 | 035106151 | Flat Washer 1/4" ID | 8 |
| 8 | 000060635 | Bolt Hex Hd 1/4" UNC x 2-1/2" | 4 |
| 9 | 030130061 | Nut 1/4" UNC Nyloc | 4 |
| 10 | 067853420 | Retainer -1/4 Turn Fastener | 1 |
| 11 | 205600006 | Rubber Seal | 1 |
| 12 | 067854101 | Receptacle -1/4 Turn Fastener | 1 |
| 13 | 035110191 | Flat Washer 3/8" ID | 4 |
| 14 | 030130101 | Nut 3/8" UNC Nyloc | 2 |
| 15 | 000100255 | Bolt Hex Hd 3/8" UNC x 1" | 2 |
| 16 | 035108161 | Flat Washer 5/16" ID | 4 |
| 17 | 000080255 | Bolt Hex Hd 5/16" UNC x 1" | 4 |
| 18 | 036108000 | Spring Washer 5/16" ID | 4 |
| 19 | 030170081 | Nut 5/16" UNC Huck | 4 |
| 20 | 200122350 | Relief Valve | 1 |
| 21 | 197203033 | Cooler Mount Spacer Block | 2 |
| 22 | 000080505 | Bolt Hex Hd 5/16" UNC x 2" | 2 |

| Key | Part Number | Description | Qty |
|-----|-------------|-------------|-----|
|-----|-------------|-------------|-----|

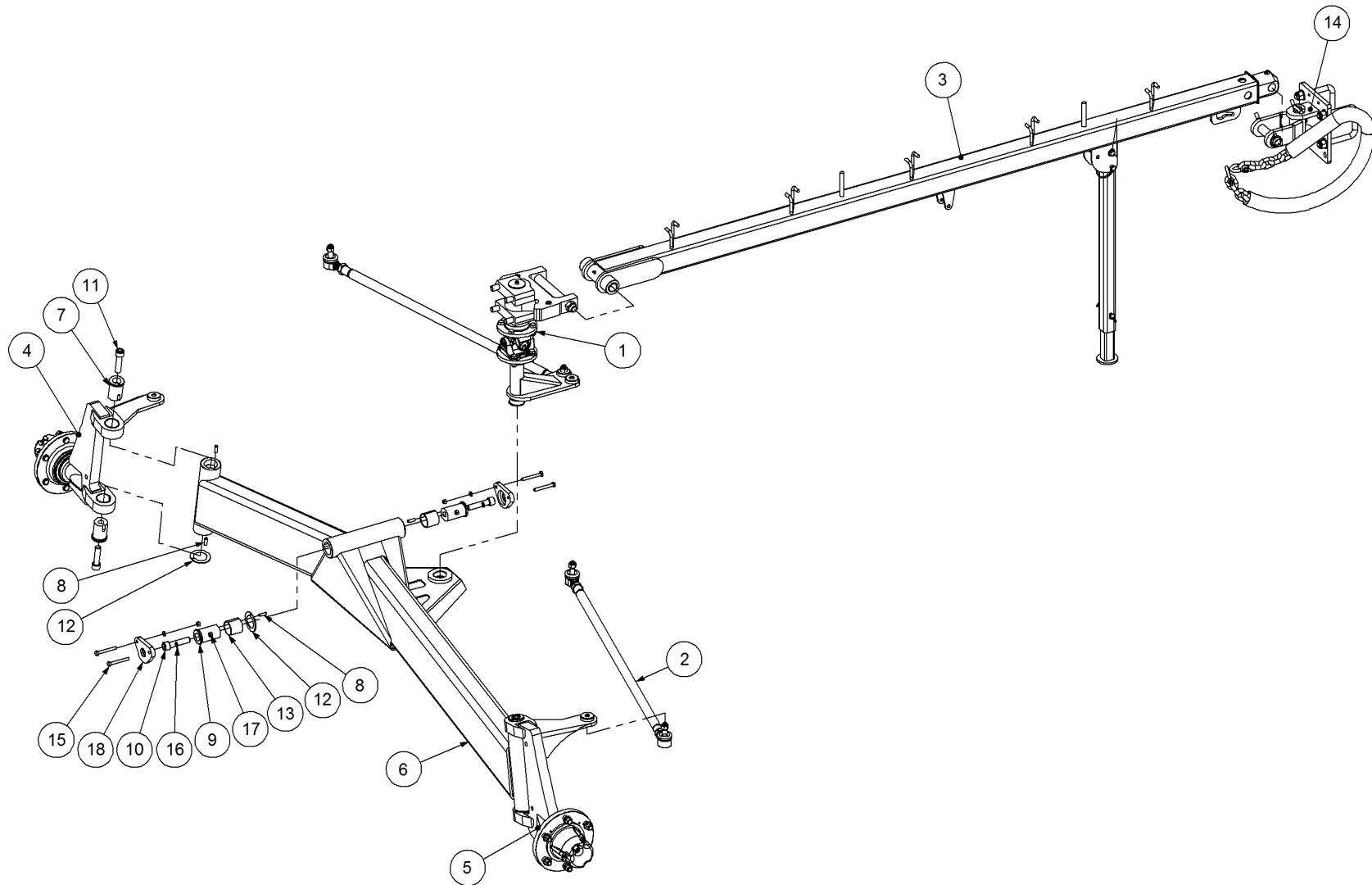




P/N 150000042 Hydraulic Hose & Fittings Kit

| Key | Part Number | Description | Qty |
|-----|----------------|---|-----|
| 1 | 150000047 | Hyd Hose 3/4" SWB x 10389 Lg | 1 |
| 2 | 150000039 | Hyd Hose 3/8" SWB x 10369 Lg | 1 |
| 3 | 150000037 | Hyd Hose 5/8" DWB x 10383 Lg | 1 |
| 4 | 150000051 | Hyd Hose 3/8" SWB x 808 Lg | 1 |
| 5 | 150000046 | Hyd Hose 3/4" SWB x 1609 Lg | 1 |
| 6 | 150000045 | Hyd Hose 3/4" SWB x 1008 Lg | 1 |
| 7 | 150000014 | Hyd Hose 5/8" DWB x 729 Lg | 1 |
| 8 | 150000007 | Hyd Hose 5/8" DWB x 676 Lg | 1 |
| 9 | 150000021 | Hyd Hose 1/2" SFB x 1023 Lg | 1 |
| 10 | 1524010-6PBSPP | Coupling Q/R Male - 1" BspF | 1 |
| 11 | 1524010-3P | Coupling Q/R Male (poppet) - 3/8" NptF | 1 |
| 12 | 1528010-4 | Coupling Q/R Male - 1/2" NptF | 1 |
| 13 | 1525209-6 | Dust Cap - 1" | 1 |
| 14 | 1525209-3M | Dust Cap - 3/8" | 1 |
| 15 | 1525209-4M | Dust Cap - 1/2" | 1 |
| 16 | 15212F5OX-S | Fitting - Connector 1-1/16" JicM x 1-1/16" UnoM | 1 |
| 17 | 15210F5OX-S | Fitting - Connector 7/8" JicM x 7/8" UnoM | 3 |
| 18 | 1526F5OX-S | Fitting - Connector 9/16" JicM x 9/16" UnoM | 2 |
| 19 | 15212WTX-WLN-S | Fitting - Bulkhead 1-1/16" JicM | 1 |
| 20 | 152JB7037 | Fitting - Tee 1/2" BspF x 1-1/16" JicM x 1-1/16" UnoM | 1 |

| Key | Part Number | Description | Qty |
|-----|-------------|-------------|-----|
|-----|-------------|-------------|-----|

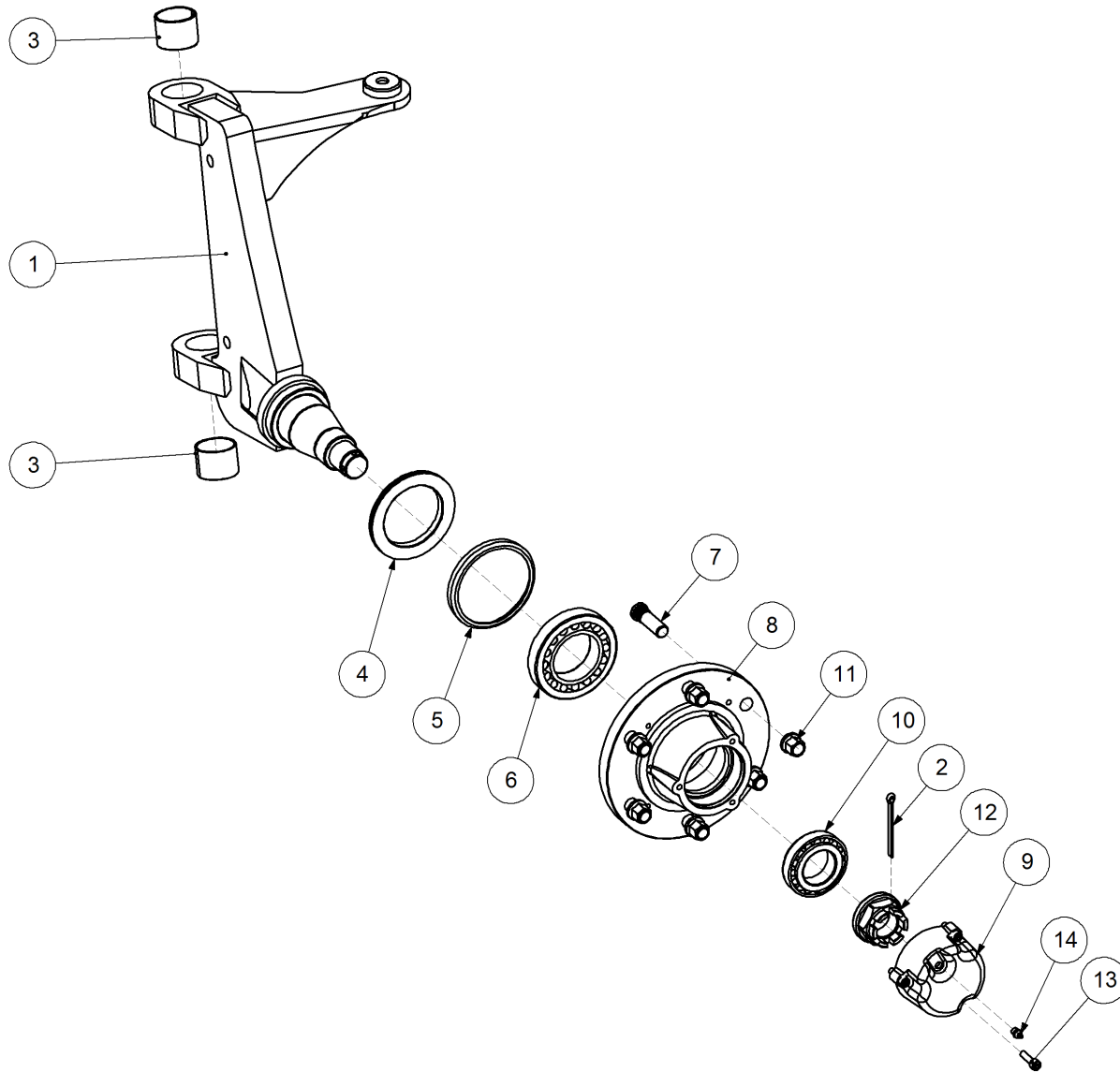




P/N 230603000 Axle Assy - 6000 3.0m Steerable

| Key | Part Number | Description | Qty |
|-----|-------------|----------------------------------|-----|
| 1 | 230605101 | Steering Yoke Assy | 1 |
| 2 | 230603108 | Tie Rod Assy | 2 |
| 3 | 235600110 | Pull Assy | 1 |
| 4 | 230603020 | Stub Axle Assy- 6000 LH | 1 |
| 5 | 230603010 | Stub Axle Assy - 6000 RH | 1 |
| 6 | 230603001 | Rock Axle | 1 |
| 7 | 230603004 | Pivot Pin - Stub Axle | 4 |
| 8 | 090210030 | Dowel Pin 10 Dia x 30 | 6 |
| 9 | 230603007 | Pivot Pin - Rock Axle | 2 |
| 10 | 061120090 | Cap Screw M20 x 90 | 2 |
| 11 | 061120080 | Cap Screw M20 x 80 | 4 |
| 12 | 138132093 | Thrust Washer 2" ID x 0.093" | 3 |
| 13 | 137131031 | Bush Teflon 50 ID x 50 Lg | 2 |
| 14 | 233260100 | Universal Hitch Assy w/- U Bolts | 1 |
| 15 | 050100808 | Bolt Hex Hd M10 x 80 | 4 |
| 16 | 086110000 | Spring Washer 10 ID | 4 |
| 17 | 080111000 | Nut Metric Crs ZP Hex M10 | 4 |
| 18 | 230603017 | Safety Cap - Axle Pivot | 2 |

| Key | Part Number | Description | Qty |
|-----|-------------|-------------|-----|
|-----|-------------|-------------|-----|

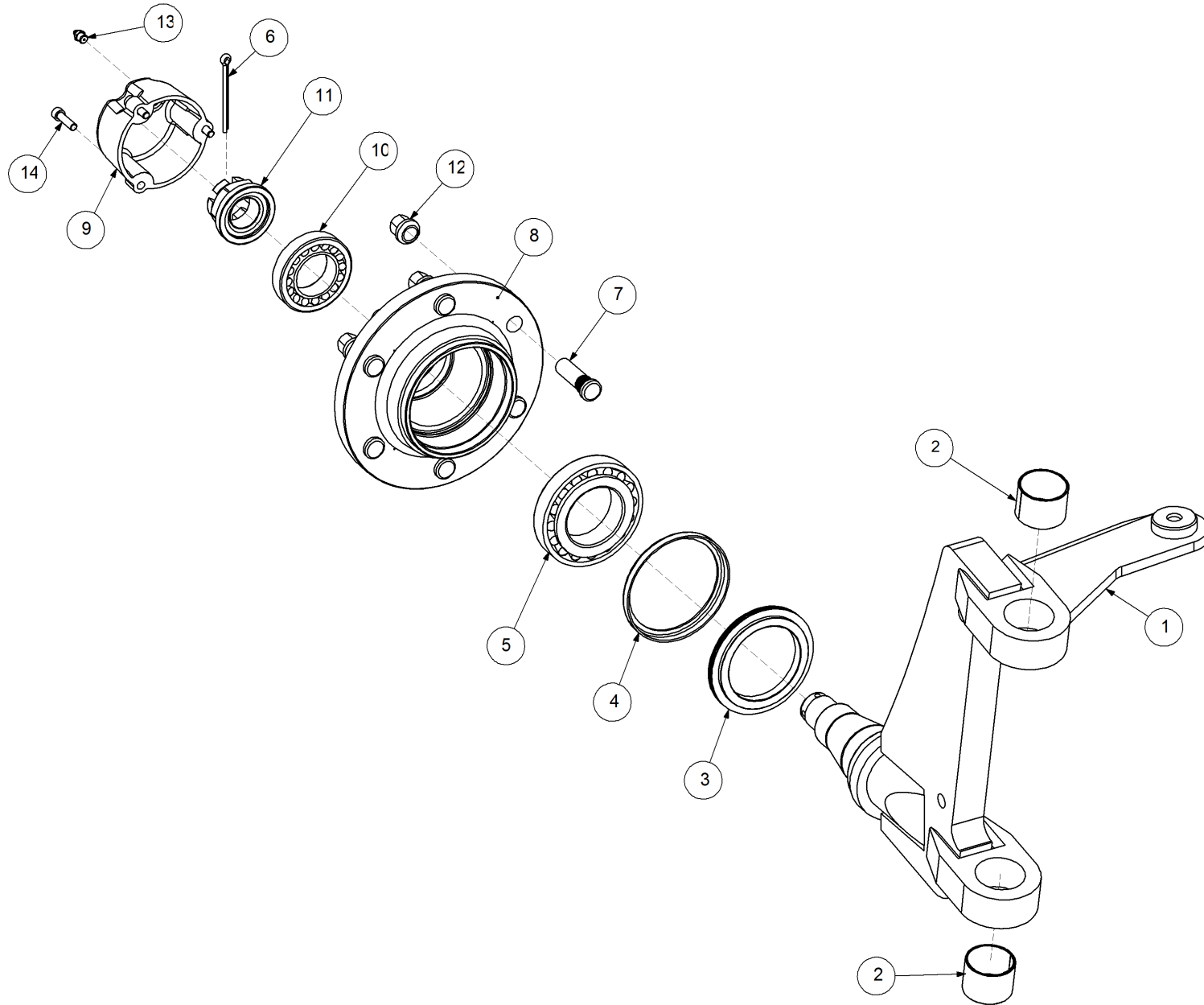




P/N 230603010 Stub Axle Assy - 6000 RH

| Key | Part Number | Description | Qty |
|------------|--------------------|------------------------------|------------|
| 1 | 230603011 | Stub Axle - 6000 RH | 1 |
| 2 | 092206080 | Split Pin 6.3 Dia x 80 | 1 |
| 3 | 137131025 | Bush Teflon 50 ID x 40 Lg | 2 |
| 4 | 139075008 | Seal 3-1/2" ID | 1 |
| 5 | 139075009 | Wear Ring | 1 |
| 6 | 135030214 | Bearing Tapered Roller 70 ID | 1 |
| 7 | 056180600 | Wheel Stud M18 | 6 |
| 8 | 139075004 | Hub - 6 stud | 1 |
| 9 | 139075007 | Grease Cap | 1 |
| 10 | 135030210 | Bearing Tapered Roller 50 ID | 1 |
| 11 | 080161801 | Wheel Nut M18 | 6 |
| 12 | 249092002 | Axle Nut 1-1/2" | 1 |
| 13 | 060108030 | Cap Screw M8 x 30 | 3 |
| 14 | 111103000 | Grease Nipple 1/8" BSP | 1 |

| Key | Part Number | Description | Qty |
|------------|--------------------|--------------------|------------|
|------------|--------------------|--------------------|------------|



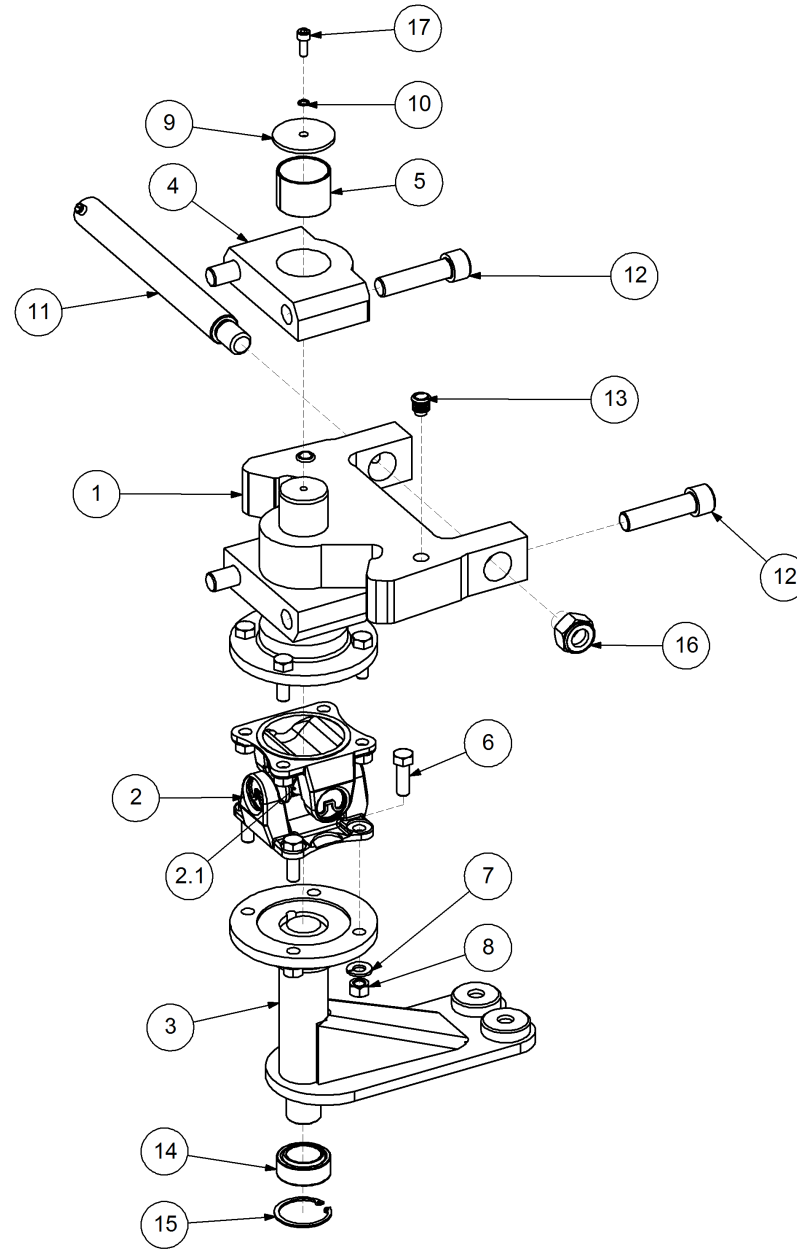


P/N 230603020 Stub Axle Assy- 6000 LH

| Key | Part Number | Description | Qty |
|------------|--------------------|------------------------------|------------|
| 1 | 230603021 | Stub Axle - 6000 LH | 1 |
| 2 | 137131025 | Bush Teflon 50 ID x 40 Lg | 2 |
| 3 | 139075008 | Seal 3-1/2" ID | 1 |
| 4 | 139075009 | Wear Ring | 1 |
| 5 | 135030214 | Bearing Tapered Roller 70 ID | 1 |
| 6 | 092206080 | Split Pin 6.3 Dia x 80 | 1 |
| 7 | 056180600 | Wheel Stud M18 | 6 |
| 8 | 139075004 | Hub - 6 stud | 1 |
| 9 | 139075007 | Grease Cap | 1 |
| 10 | 135030210 | Bearing Tapered Roller 50 ID | 1 |
| 11 | 249092002 | Axle Nut 1-1/2" | 1 |
| 12 | 080161801 | Wheel Nut M18 | 6 |
| 13 | 111103000 | Grease Nipple 1/8" BSP | 1 |
| 14 | 060108030 | Cap Screw M8 x 30 | 3 |

| Key | Part Number | Description | Qty |
|------------|--------------------|--------------------|------------|
|------------|--------------------|--------------------|------------|

P/N 230605101 Steering Yoke Assy

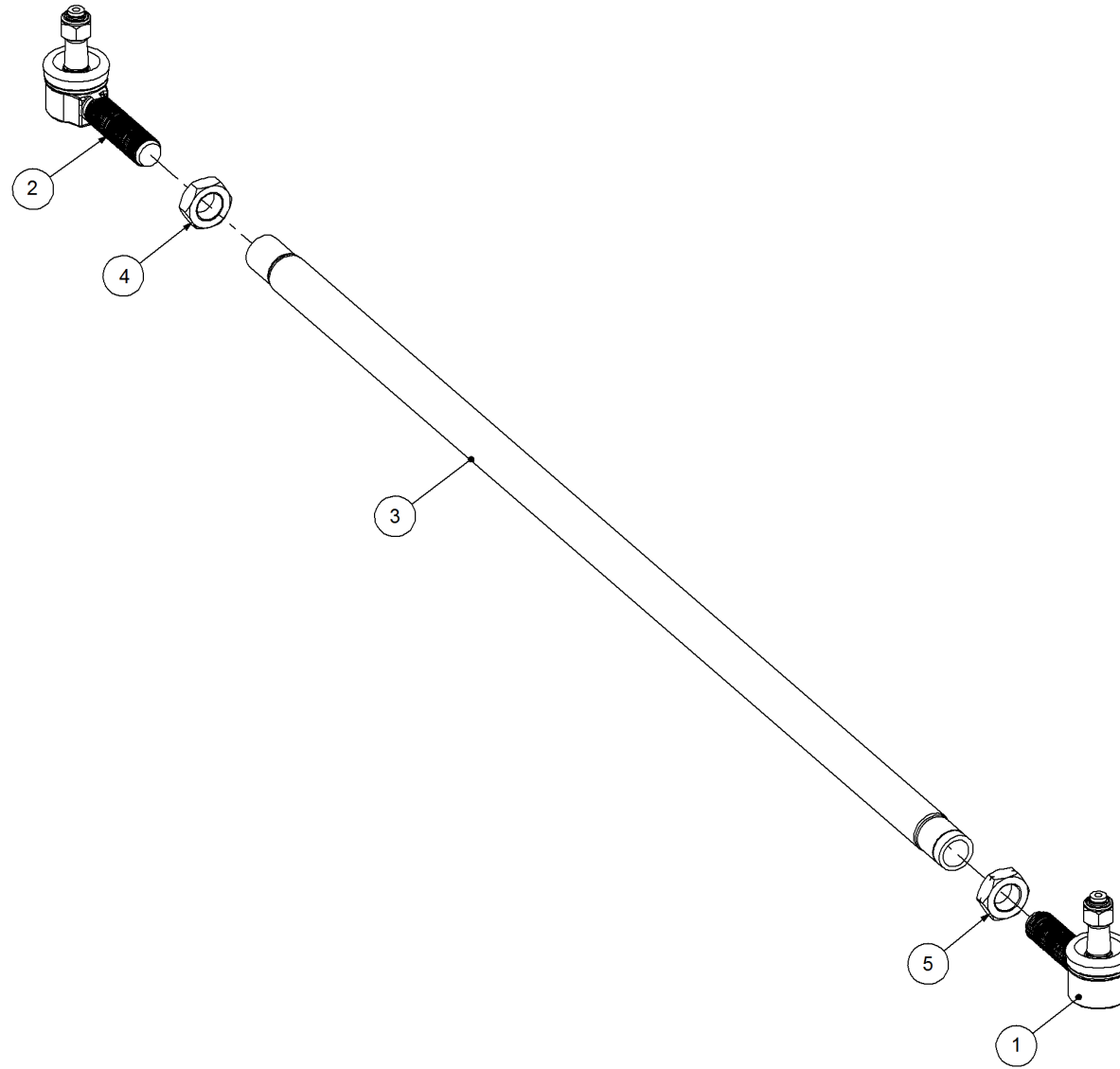




P/N 230605101 Steering Yoke Assy

| Key | Part Number | Description | Qty | Key | Part Number | Description | Qty |
|-----|-------------|-------------------------------|-----|-----|-------------|-------------|-----|
| 1 | 230605109 | Bearing Assy | 1 | | | | |
| 2 | 230605112 | Universal Assy | 1 | | | | |
| 2.1 | 230605114 | Universal Cross | 1 | | | | |
| 3 | 230605102 | Bottom Shaft | 1 | | | | |
| 4 | 214602031 | Bearing Block | 1 | | | | |
| 5 | 137131025 | Bush Teflon 50 ID x 40 Lg | 1 | | | | |
| 6 | 000130385 | Bolt Hex Hd 1/2" UNC x 1-1/2" | 8 | | | | |
| 7 | 036113000 | Spring Washer 1/2" ID | 8 | | | | |
| 8 | 030110131 | Nut 1/2" UNC | 8 | | | | |
| 9 | 230605108 | Top Cover | 1 | | | | |
| 10 | 086108000 | Spring Washer 8 ID | 1 | | | | |
| 11 | 230605110 | Pull Pin | 1 | | | | |
| 12 | 061120080 | Cap Screw M20 x 80 | 4 | | | | |
| 13 | 195000003 | End Stop | 2 | | | | |
| 14 | 137403501 | Bearing Spherical 35 ID | 1 | | | | |
| 15 | 098205500 | Circlip Internal 55mm | 1 | | | | |
| 16 | 080122400 | Nut M24 Nyloc | 1 | | | | |
| 17 | 060108020 | Cap Screw M8 x 20 | 1 | | | | |

P/N 230603108 Tie Rod Assy

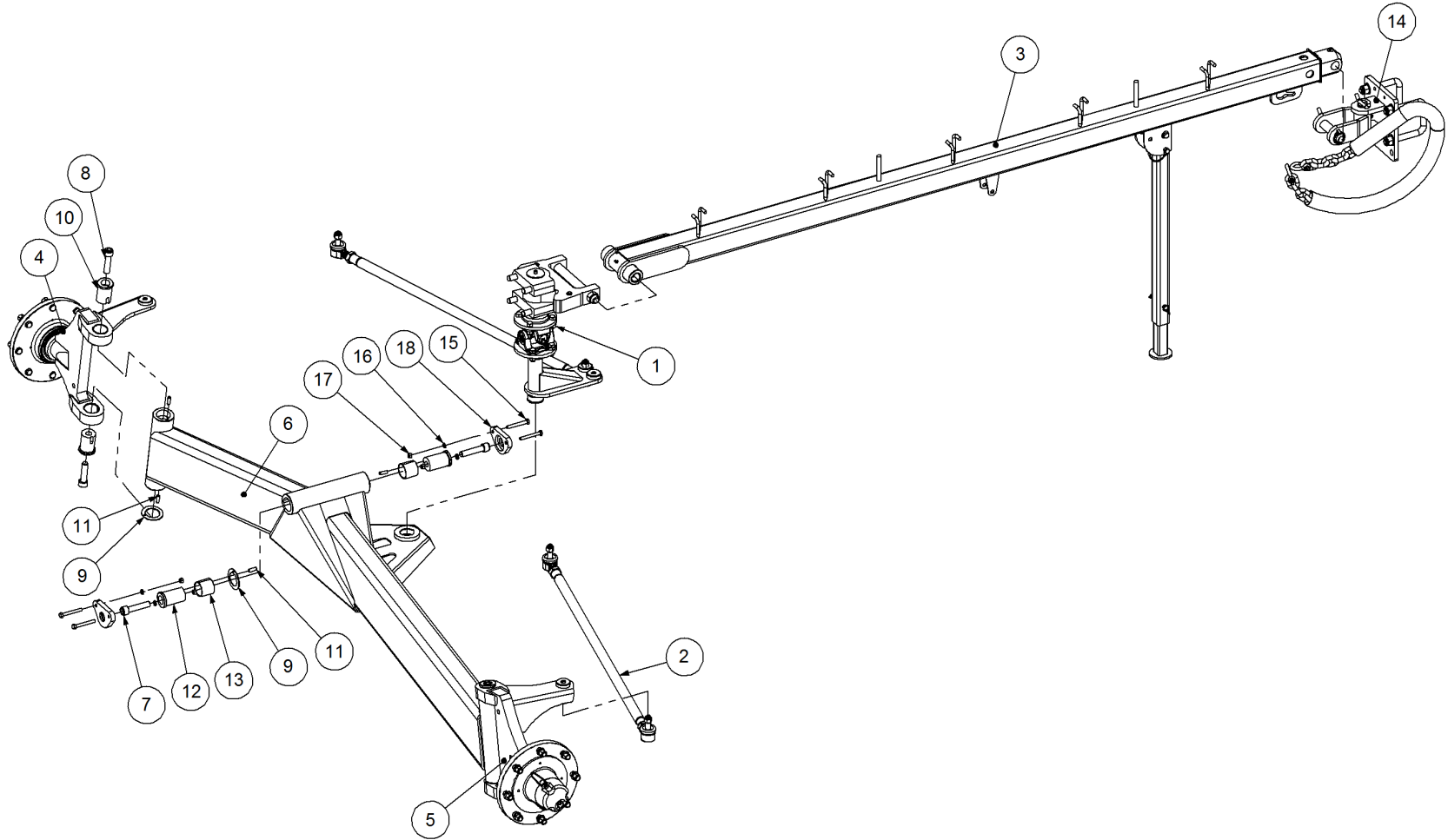




P/N 230603108 Tie Rod Assy

| Key | Part Number | Description | Qty |
|------------|--------------------|---------------------------|------------|
| 1 | 145005193 | Tie Rod End - LH | 1 |
| 2 | 145003859 | Tie Rod End - RH | 1 |
| 3 | 230603109 | Tie Rod | 1 |
| 4 | 145003861 | Nut Lock 1" x 16 TPI - RH | 1 |
| 5 | 145005194 | Nut Lock 1" x 16 TPI - LH | 1 |

| Key | Part Number | Description | Qty |
|------------|--------------------|--------------------|------------|
|------------|--------------------|--------------------|------------|

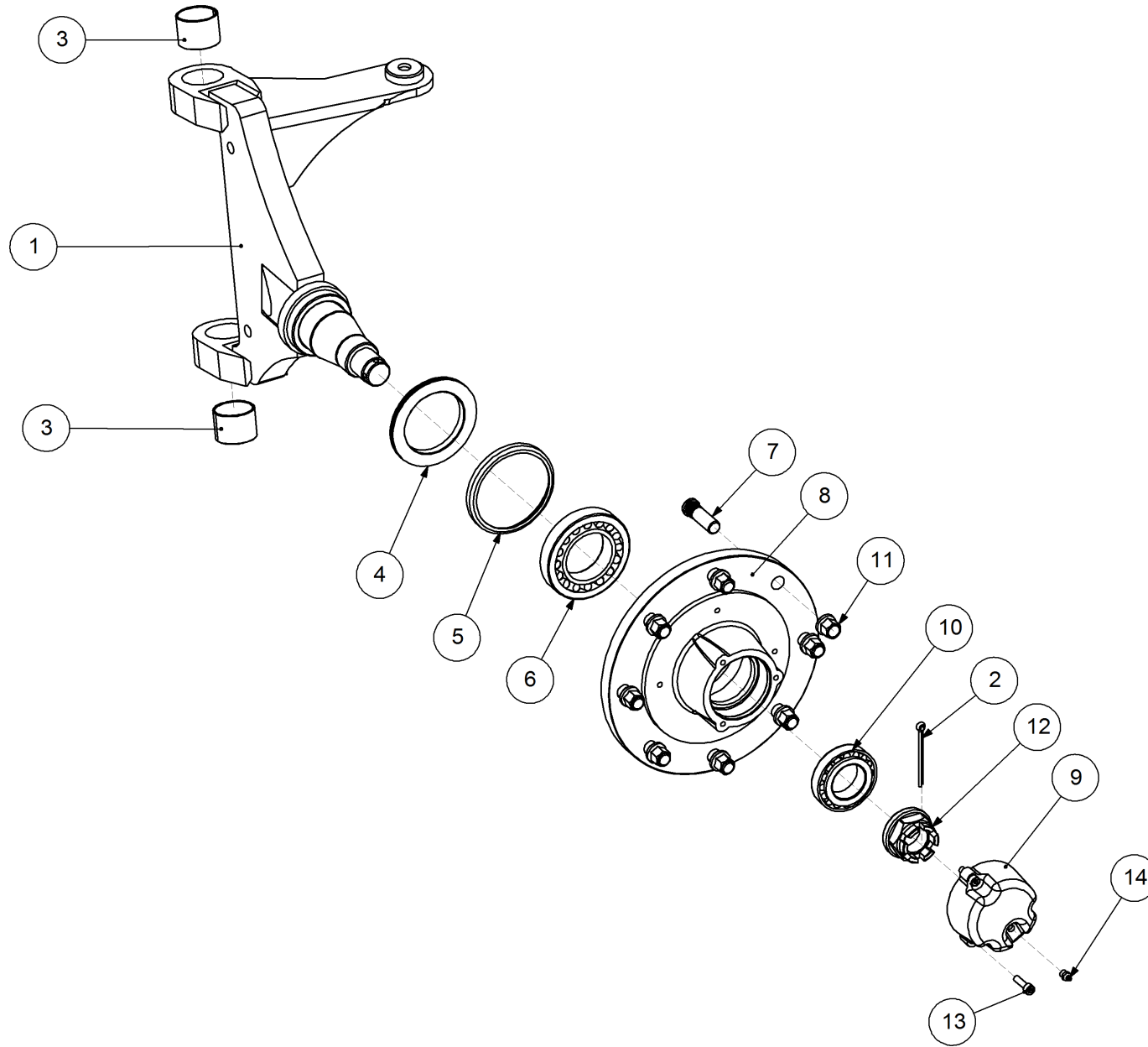




P/N 230903000 Axle Assy - 9000 3.0m Steerable

| Key | Part Number | Description | Qty |
|------------|--------------------|----------------------------------|------------|
| 1 | 230605101 | Steering Yoke Assy | 1 |
| 2 | 230603108 | Tie Rod Assy | 2 |
| 3 | 235600110 | Pull Assy | 1 |
| 4 | 230903020 | Stub Axle Assy - 9000 LH | 1 |
| 5 | 230903010 | Stub Axle Assy - 9000 RH | 1 |
| 6 | 230603001 | Rock Axle | 1 |
| 7 | 061120090 | Cap Screw M20 x 90 | 2 |
| 8 | 061120080 | Cap Screw M20 x 80 | 4 |
| 9 | 138132093 | Thrust Washer 2" ID x 0.093" | 3 |
| 10 | 230603004 | Pivot Pin - Stub Axle | 4 |
| 11 | 090210030 | Dowel Pin 10 Dia x 30 | 6 |
| 12 | 230603007 | Pivot Pin - Rock Axle | 2 |
| 13 | 137131031 | Bush Teflon 50 ID x 50 Lg | 2 |
| 14 | 233260100 | Universal Hitch Assy w/- U Bolts | 1 |
| 15 | 050100808 | Bolt Hex Hd M10 x 80 | 4 |
| 16 | 086110000 | Spring Washer 10 ID | 4 |
| 17 | 080111000 | Nut Metric Crs ZP Hex M10 | 4 |
| 18 | 230603017 | Safety Cap - Axle Pivot | 2 |

| Key | Part Number | Description | Qty |
|------------|--------------------|--------------------|------------|
|------------|--------------------|--------------------|------------|

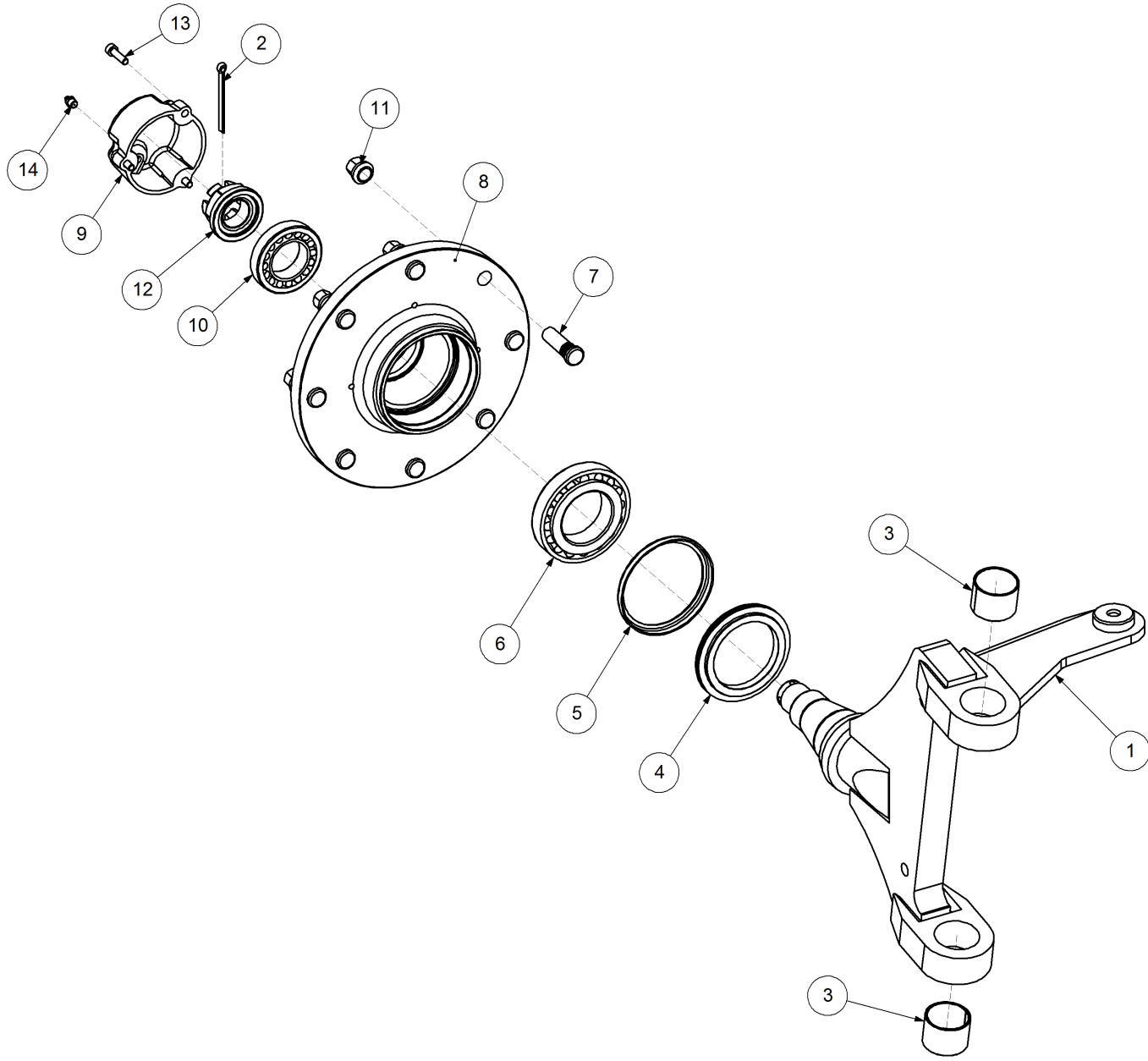




P/N 230903010 Stub Axle Assy - 9000 RH

| Key | Part Number | Description | Qty |
|------------|--------------------|------------------------------|------------|
| 1 | 230903011 | Stub Axle - 9000 RH | 1 |
| 2 | 092206080 | Split Pin 6.3 Dia x 80 | 1 |
| 3 | 137131025 | Bush Teflon 50 ID x 40 Lg | 2 |
| 4 | 139075008 | Seal 3-1/2" ID | 1 |
| 5 | 139075009 | Wear Ring | 1 |
| 6 | 135030214 | Bearing Tapered Roller 70 ID | 1 |
| 7 | 056180600 | Wheel Stud M18 | 8 |
| 8 | 139075006 | Hub - 8 stud | 1 |
| 9 | 139075007 | Grease Cap | 1 |
| 10 | 135030210 | Bearing Tapered Roller 50 ID | 1 |
| 11 | 080161801 | Wheel Nut M18 | 8 |
| 12 | 249092002 | Axle Nut 1-1/2" | 1 |
| 13 | 060108030 | Cap Screw M8 x 30 | 3 |
| 14 | 111103000 | Grease Nipple 1/8" BSP | 1 |

| Key | Part Number | Description | Qty |
|------------|--------------------|--------------------|------------|
|------------|--------------------|--------------------|------------|



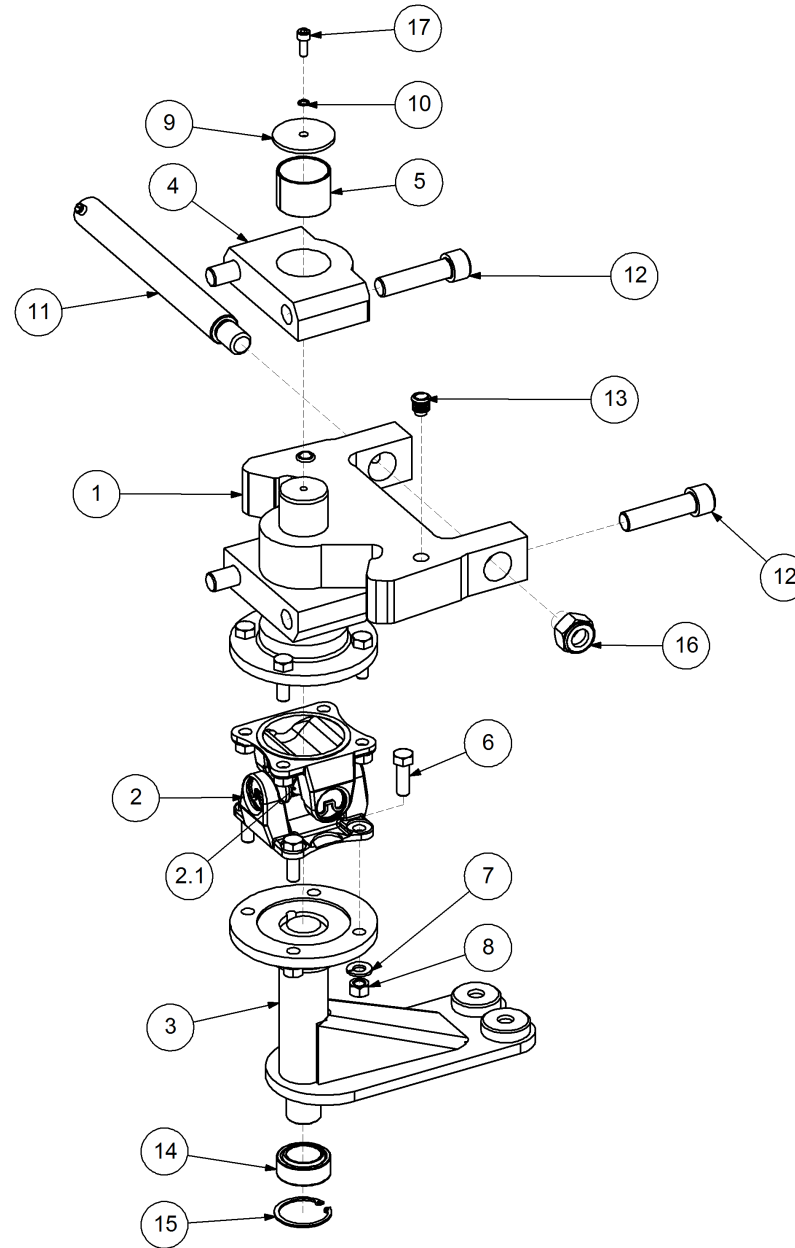


P/N 230903020 Stub Axle Assy - 9000 LH

| Key | Part Number | Description | Qty |
|------------|--------------------|------------------------------|------------|
| 1 | 230903021 | Stub Axle - 9000 LH | 1 |
| 2 | 092206080 | Split Pin 6.3 Dia x 80 | 1 |
| 3 | 137131025 | Bush Teflon 50 ID x 40 Lg | 2 |
| 4 | 139075008 | Seal 3-1/2" ID | 1 |
| 5 | 139075009 | Wear Ring | 1 |
| 6 | 135030214 | Bearing Tapered Roller 70 ID | 1 |
| 7 | 056180600 | Wheel Stud M18 | 8 |
| 8 | 139075006 | Hub - 8 stud | 1 |
| 9 | 139075007 | Grease Cap | 1 |
| 10 | 135030210 | Bearing Tapered Roller 50 ID | 1 |
| 11 | 080161801 | Wheel Nut M18 | 8 |
| 12 | 249092002 | Axle Nut 1-1/2" | 1 |
| 13 | 060108030 | Cap Screw M8 x 30 | 3 |
| 14 | 111103000 | Grease Nipple 1/8" BSP | 1 |

| Key | Part Number | Description | Qty |
|------------|--------------------|--------------------|------------|
|------------|--------------------|--------------------|------------|

P/N 230605101 Steering Yoke Assy

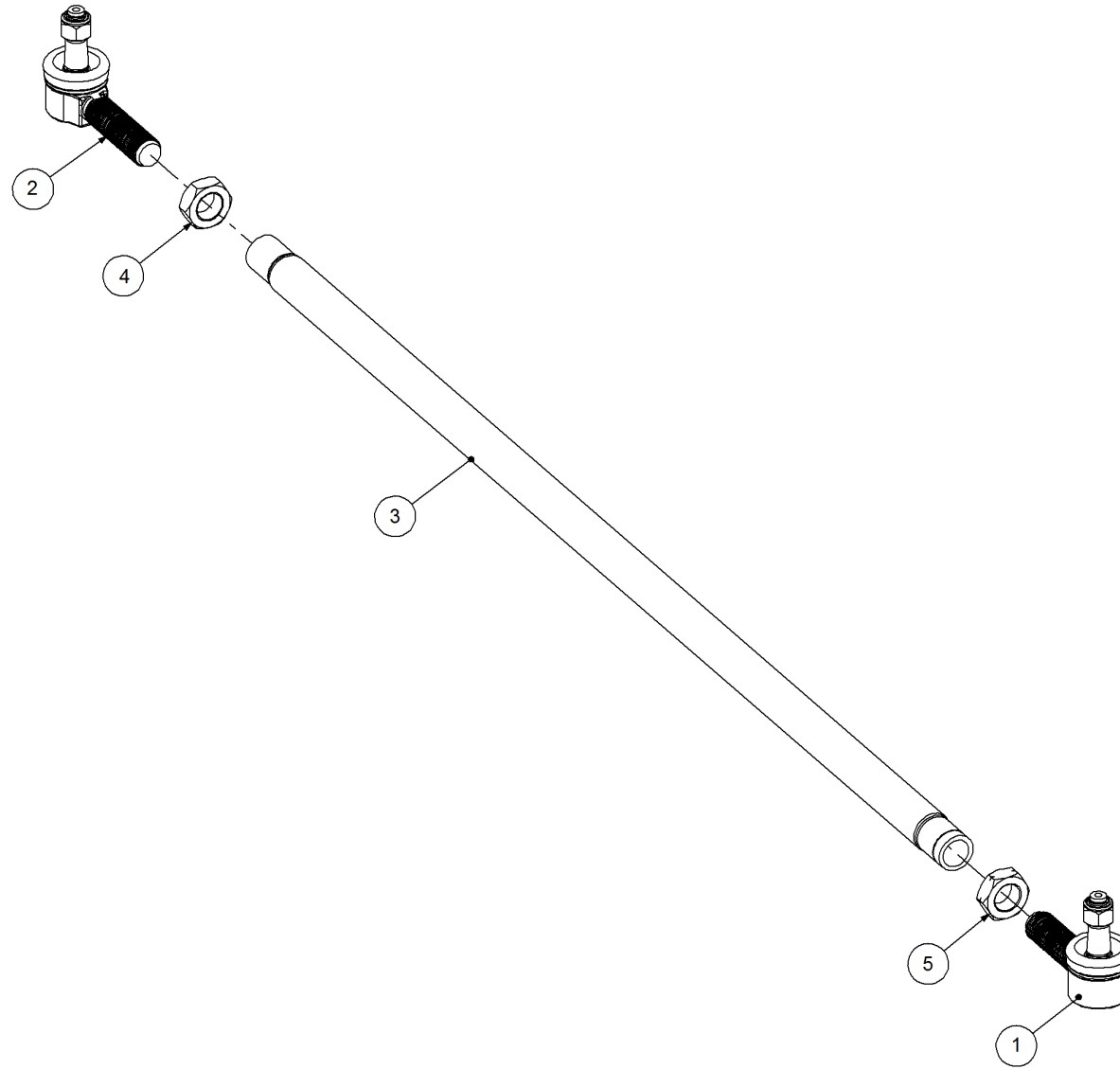




P/N 230605101 Steering Yoke Assy

| Key | Part Number | Description | Qty | Key | Part Number | Description | Qty |
|-----|-------------|-------------------------------|-----|-----|-------------|-------------|-----|
| 1 | 230605109 | Bearing Assy | 1 | | | | |
| 2 | 230605112 | Universal Assy | 1 | | | | |
| 2.1 | 230605114 | Universal Cross | 1 | | | | |
| 3 | 230605102 | Bottom Shaft | 1 | | | | |
| 4 | 214602031 | Bearing Block | 1 | | | | |
| 5 | 137131025 | Bush Teflon 50 ID x 40 Lg | 1 | | | | |
| 6 | 000130385 | Bolt Hex Hd 1/2" UNC x 1-1/2" | 8 | | | | |
| 7 | 036113000 | Spring Washer 1/2" ID | 8 | | | | |
| 8 | 030110131 | Nut 1/2" UNC | 8 | | | | |
| 9 | 230605108 | Top Cover | 1 | | | | |
| 10 | 086108000 | Spring Washer 8 ID | 1 | | | | |
| 11 | 230605110 | Pull Pin | 1 | | | | |
| 12 | 061120080 | Cap Screw M20 x 80 | 4 | | | | |
| 13 | 195000003 | End Stop | 2 | | | | |
| 14 | 137403501 | Bearing Spherical 35 ID | 1 | | | | |
| 15 | 098205500 | Circlip Internal 55mm | 1 | | | | |
| 16 | 080122400 | Nut M24 Nyloc | 1 | | | | |
| 17 | 060108020 | Cap Screw M8 x 20 | 1 | | | | |

P/N 230603108 Tie Rod Assy

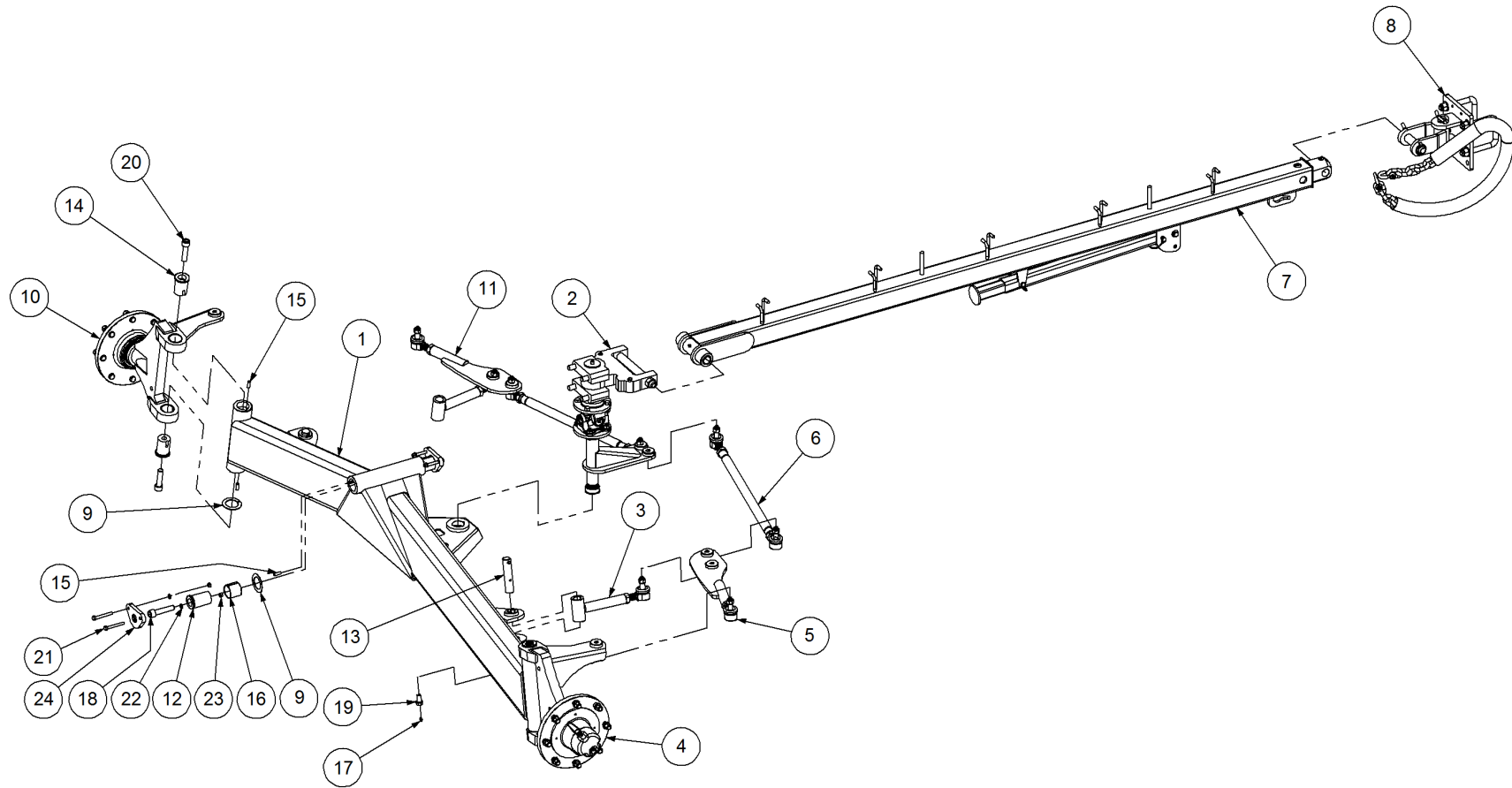




P/N 230603108 Tie Rod Assy

| Key | Part Number | Description | Qty |
|-----|-------------|---------------------------|-----|
| 1 | 145005193 | Tie Rod End - LH | 1 |
| 2 | 145003859 | Tie Rod End - RH | 1 |
| 3 | 230603109 | Tie Rod | 1 |
| 4 | 145003861 | Nut Lock 1" x 16 TPI - RH | 1 |
| 5 | 145005194 | Nut Lock 1" x 16 TPI - LH | 1 |

| Key | Part Number | Description | Qty |
|-----|-------------|-------------|-----|
|-----|-------------|-------------|-----|

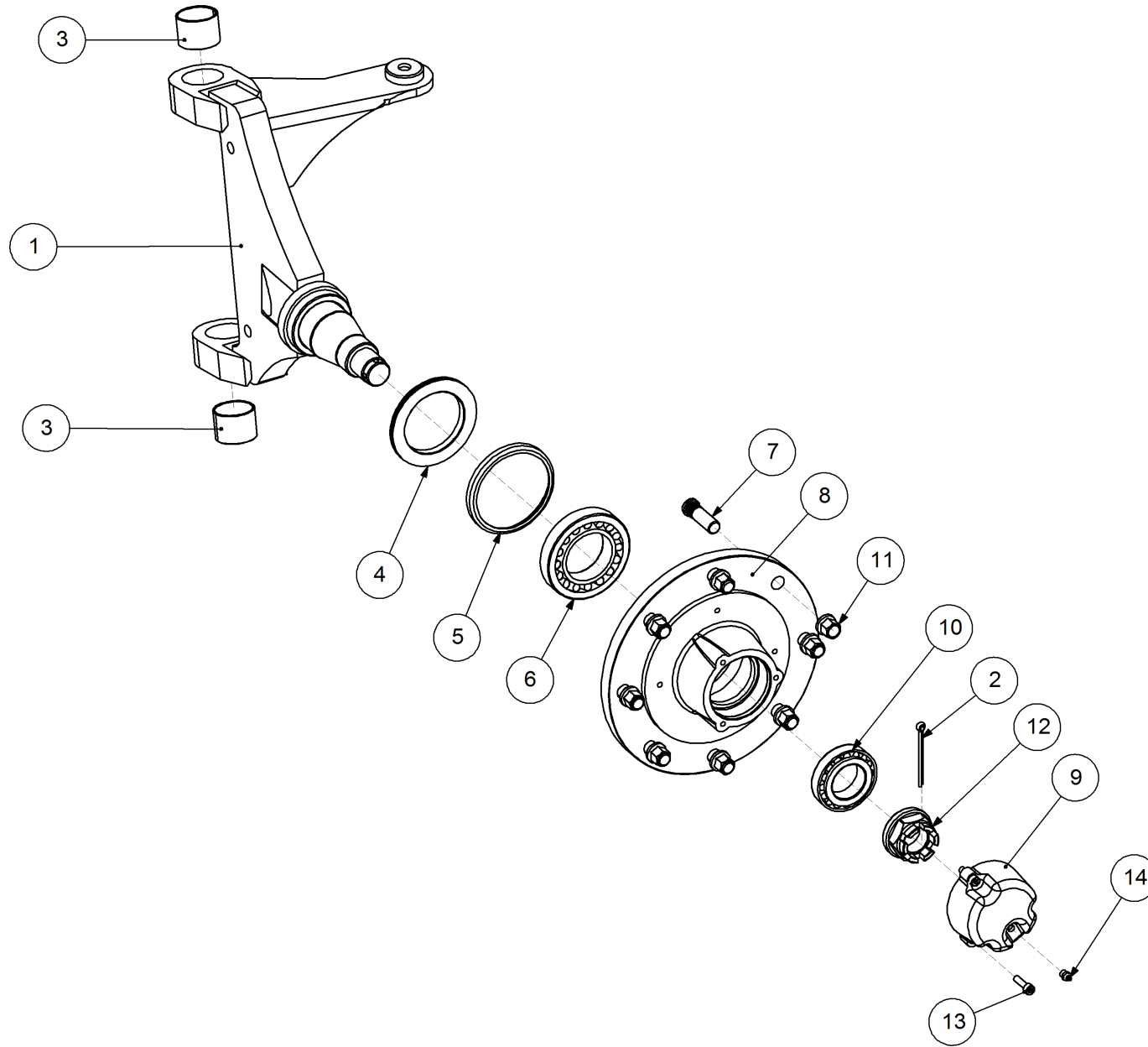




P/N 230903100 Axle Assy - Xtra Steer

| Key | Part Number | Description | Qty |
|-----|-------------|----------------------------------|-----|
| 1 | 230603201 | Rock Axle - Xtra Steer | 1 |
| 2 | 230605115 | Steering Yoke Assy - Xtra Steer | 1 |
| 3 | 230606015 | Secondary Lever Assy | 2 |
| 4 | 230903010 | Stub Axle Assy - 9000 RH | 1 |
| 5 | 230606016 | Link Assy - RH | 1 |
| 6 | 230603123 | Tie Rod Assy - Xtra Steer | 2 |
| 7 | 235600110 | Pull Assy | 1 |
| 8 | 233260100 | Universal Hitch Assy w/- U Bolts | 1 |
| 9 | 138132093 | Thrust Washer 2" ID x 0.093" | 3 |
| 10 | 230903020 | Stub Axle Assy - 9000 LH | 1 |
| 11 | 230606022 | Link Assy - LH | 1 |
| 12 | 230603007 | Pivot Pin - Rock Axle | 2 |
| 13 | 491700200 | Pin Assy | 2 |
| 14 | 230603004 | Pivot Pin - Stub Axle | 4 |
| 15 | 090210030 | Dowel Pin 10 Dia x 30 | 6 |
| 16 | 137131031 | Bush Teflon 50 ID x 50 Lg | 2 |
| 17 | 111506000 | Grease Nipple 1/4" - Straight | 2 |
| 18 | 061120090 | Cap Screw M20 x 90 | 2 |
| 19 | 491700206 | Bolt M16 x 30 Durluk - Greasable | 2 |
| 20 | 061120080 | Cap Screw M20 x 80 | 4 |
| 21 | 050100808 | Bolt Hex Hd M10 x 80 | 4 |
| 22 | 086110000 | Spring Washer 10 ID | 4 |
| 23 | 080111000 | Nut Metric Crs ZP Hex M10 | 4 |
| 24 | 230603017 | Safety Cap - Axle Pivot | 2 |

| Key | Part Number | Description | Qty |
|-----|-------------|-------------|-----|
|-----|-------------|-------------|-----|

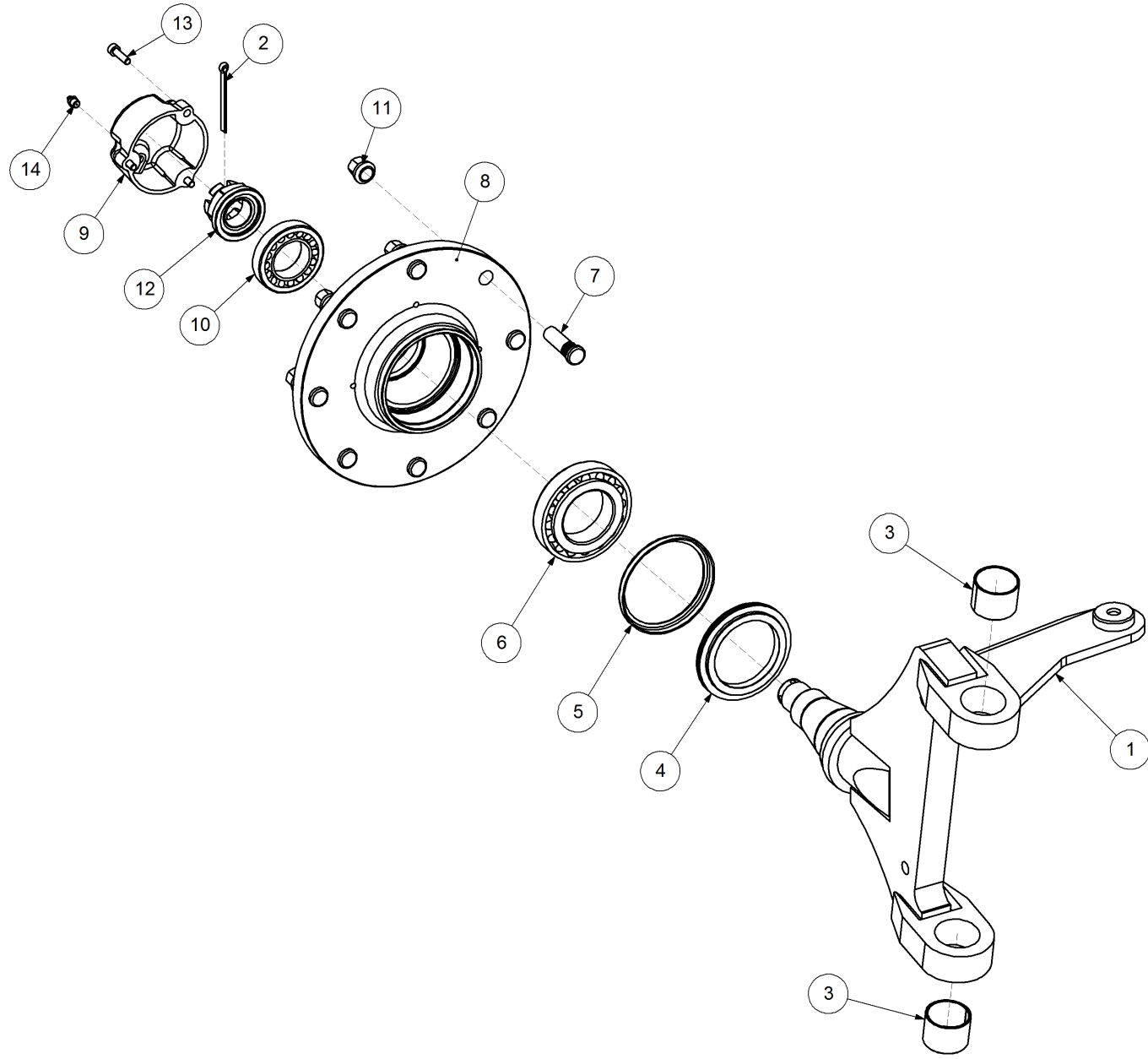




P/N 230903010 Stub Axle Assy - 9000 RH

| Key | Part Number | Description | Qty |
|------------|--------------------|------------------------------|------------|
| 1 | 230903011 | Stub Axle - 9000 RH | 1 |
| 2 | 092206080 | Split Pin 6.3 Dia x 80 | 1 |
| 3 | 137131025 | Bush Teflon 50 ID x 40 Lg | 2 |
| 4 | 139075008 | Seal 3-1/2" ID | 1 |
| 5 | 139075009 | Wear Ring | 1 |
| 6 | 135030214 | Bearing Tapered Roller 70 ID | 1 |
| 7 | 056180600 | Wheel Stud M18 | 8 |
| 8 | 139075006 | Hub - 8 stud | 1 |
| 9 | 139075007 | Grease Cap | 1 |
| 10 | 135030210 | Bearing Tapered Roller 50 ID | 1 |
| 11 | 080161801 | Wheel Nut M18 | 8 |
| 12 | 249092002 | Axle Nut 1-1/2" | 1 |
| 13 | 060108030 | Cap Screw M8 x 30 | 3 |
| 14 | 111103000 | Grease Nipple 1/8" BSP | 1 |

| Key | Part Number | Description | Qty |
|------------|--------------------|--------------------|------------|
|------------|--------------------|--------------------|------------|



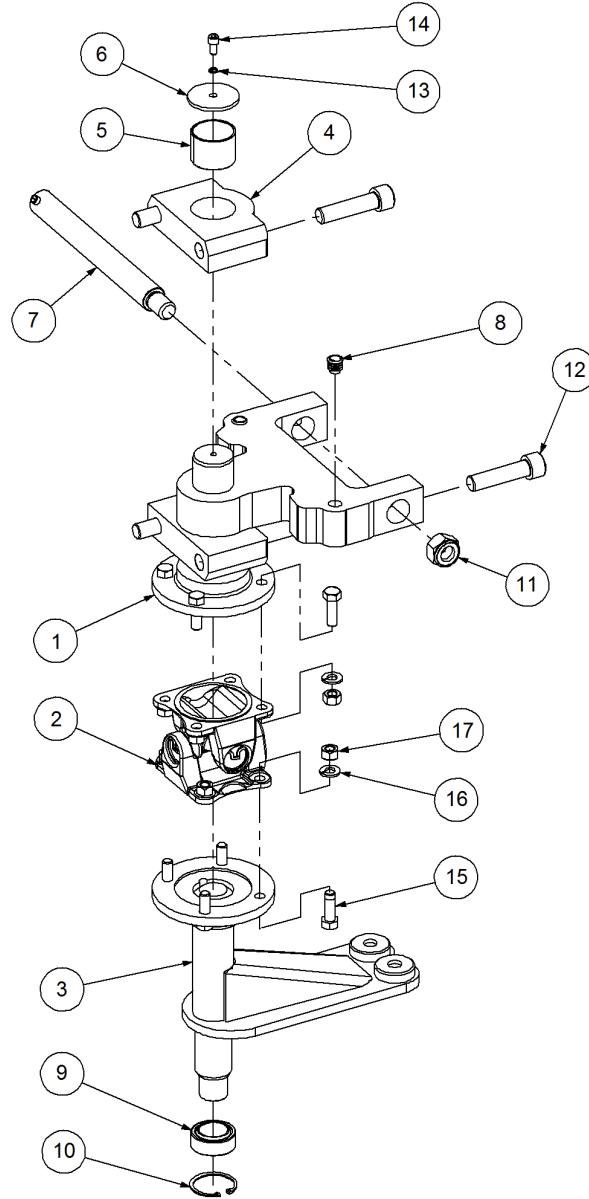


P/N 230903020 Stub Axle Assy - 9000 LH

| Key | Part Number | Description | Qty |
|------------|--------------------|------------------------------|------------|
| 1 | 230903021 | Stub Axle - 9000 LH | 1 |
| 2 | 092206080 | Split Pin 6.3 Dia x 80 | 1 |
| 3 | 137131025 | Bush Teflon 50 ID x 40 Lg | 2 |
| 4 | 139075008 | Seal 3-1/2" ID | 1 |
| 5 | 139075009 | Wear Ring | 1 |
| 6 | 135030214 | Bearing Tapered Roller 70 ID | 1 |
| 7 | 056180600 | Wheel Stud M18 | 8 |
| 8 | 139075006 | Hub - 8 stud | 1 |
| 9 | 139075007 | Grease Cap | 1 |
| 10 | 135030210 | Bearing Tapered Roller 50 ID | 1 |
| 11 | 080161801 | Wheel Nut M18 | 8 |
| 12 | 249092002 | Axle Nut 1-1/2" | 1 |
| 13 | 060108030 | Cap Screw M8 x 30 | 3 |
| 14 | 111103000 | Grease Nipple 1/8" BSP | 1 |

| Key | Part Number | Description | Qty |
|------------|--------------------|--------------------|------------|
|------------|--------------------|--------------------|------------|

P/N 230605115 Steering Yoke Assy - Xtra Steer

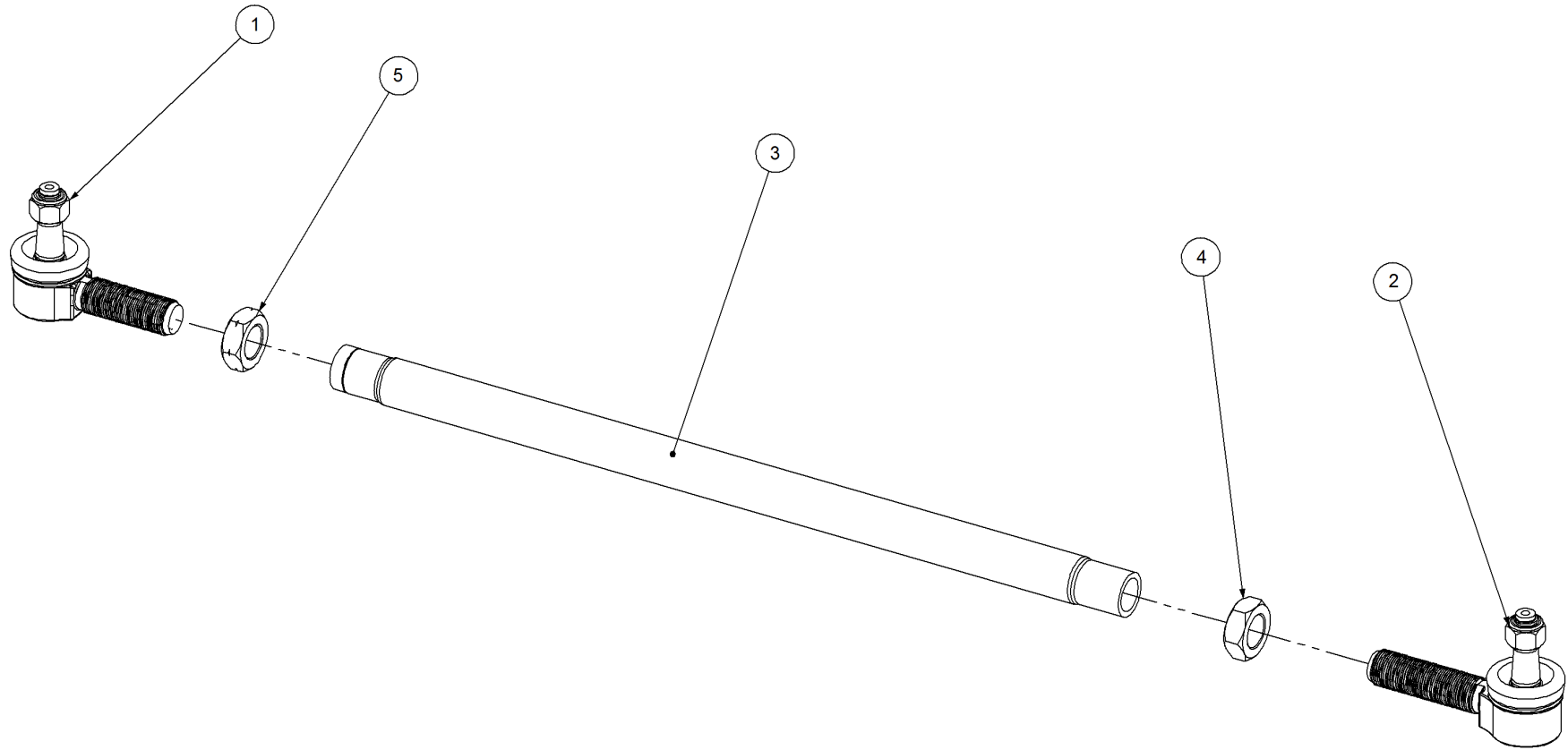




P/N 230605115 Steering Yoke Assy - Xtra Steer

| Key | Part Number | Description | Qty |
|------------|--------------------|-------------------------------|------------|
| 1 | 230605120 | Bearing Assy - Xtra Steer | 1 |
| 2 | 230605112 | Universal Assy | 1 |
| 3 | 230605116 | Bottom Shaft - Xtra Steer | 1 |
| 4 | 214602031 | Bearing Block | 1 |
| 5 | 137131025 | Bush Teflon 50 ID x 40 Lg | 1 |
| 6 | 230605108 | Top Cover | 1 |
| 7 | 230605110 | Pull Pin | 1 |
| 8 | 195000003 | End Stop | 2 |
| 9 | 137403501 | Bearing Spherical 35 ID | 1 |
| 10 | 098205500 | Circlip Internal 55mm | 1 |
| 11 | 080122400 | Nut M24 Nyloc | 1 |
| 12 | 061120080 | Cap Screw M20 x 80 | 4 |
| 13 | 086108000 | Spring Washer 8 ID | 1 |
| 14 | 060108020 | Cap Screw M8 x 20 | 1 |
| 15 | 000130385 | Bolt Hex Hd 1/2" UNC x 1-1/2" | 8 |
| 16 | 036113000 | Spring Washer 1/2" ID | 8 |
| 17 | 030110131 | Nut 1/2" UNC | 8 |

| Key | Part Number | Description | Qty |
|------------|--------------------|--------------------|------------|
|------------|--------------------|--------------------|------------|

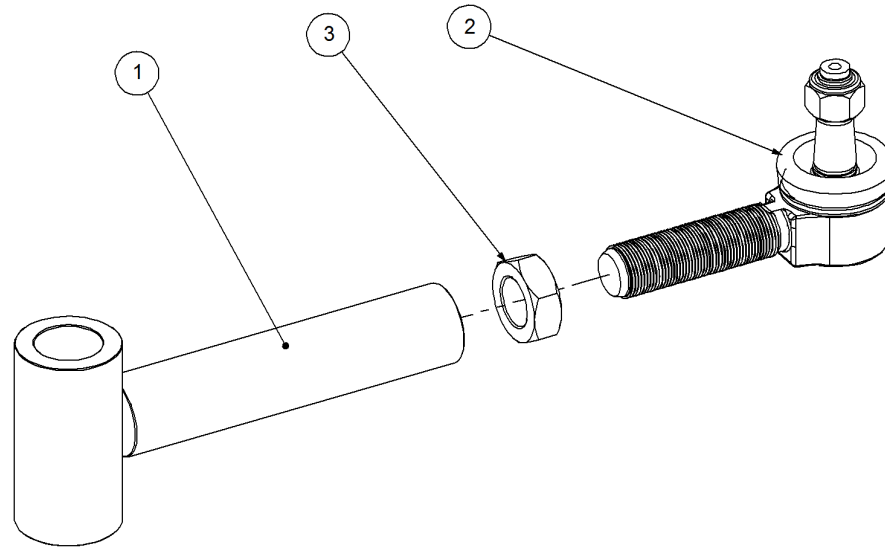




P/N 230603123 Tie Rod Assy - Xtra Steer

| Key | Part Number | Description | Qty |
|------------|--------------------|---------------------------|------------|
| 1 | 145005193 | Tie Rod End - LH | 1 |
| 2 | 145003859 | Tie Rod End - RH | 1 |
| 3 | 230603124 | Tie Rod - Xtra Steer | 1 |
| 4 | 145003861 | Nut Lock 1" x 16 TPI - RH | 1 |
| 5 | 145005194 | Nut Lock 1" x 16 TPI - LH | 1 |

| Key | Part Number | Description | Qty |
|------------|--------------------|--------------------|------------|
|------------|--------------------|--------------------|------------|

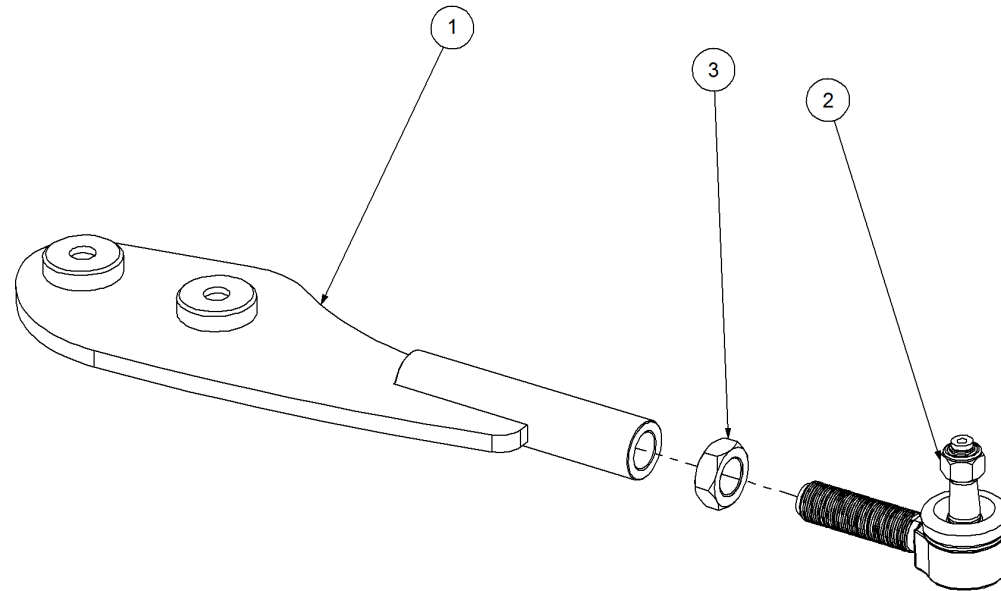




P/N 230606015 Secondary Lever Assy

| Key | Part Number | Description | Qty |
|-----|-------------|---|-----|
| 1 | 200123300 | Bin Assembly - 12000 3 Bin Liquid - Single Agitator | 1 |
| 2 | 212123035 | Chassis Kit - TBL 3 Bin | 1 |
| 3 | 290123000 | Drive Kit - Linear Control | 1 |
| 4 | 250000005 | Blower Kit - Rexroth | 1 |
| 4 | 250000105 | Blower Kit - Rexroth w/- Diverter Valve | |
| 4 | 250000006 | Blower Kit - Volvo | |
| 4 | 250000106 | Blower Kit - Volvo w/- Diverter Valve | |
| 4 | 200401156 | Liquid Fertilizer Control Kit - TB | |
| 5 | 248121000 | Axle Hub & Stub Kit - 15T (10 stud) x 3.2m | 1 |
| 6 | 248000008 | Wheel Kit - 30.5 x 32 Tyre - 10 Stud | 1 |
| 7 | 212133050 | Clean Water Tank Assembly - Flush Squat | |
| 8 | 291600003 | Dispatch Kit - Ground Drive | 1 |
| 9 | 156590025 | Stauff Clamp Kit | 1 |
| 10 | 290102002 | Monitor & Harness Kit - X20 2 Bin w/- Actuator | 1 |
| 11 | 196612002 | Decal '12000' Simplicity 1000 x 400mm | 1 |
| 11 | 196016050 | Decal 'Liquid' 160 x 500mm Wide (Yellow) | |
| 11 | 196042516 | Decal Kit - Airseeder Safety | 1 |
| 11 | 196015020 | Decal 'Wheat Sheaf Logo' 150 x 200 | 1 |
| 12 | 266123000 | Auger Kit 8" x 6m Suit 12000 TBL - LH | |
| 12 | 266125000 | Auger Kit 9" x 6m Suit 12000 TBL - LH | |

| Key | Part Number | Description | Qty |
|-----|-------------|-------------|-----|
|-----|-------------|-------------|-----|

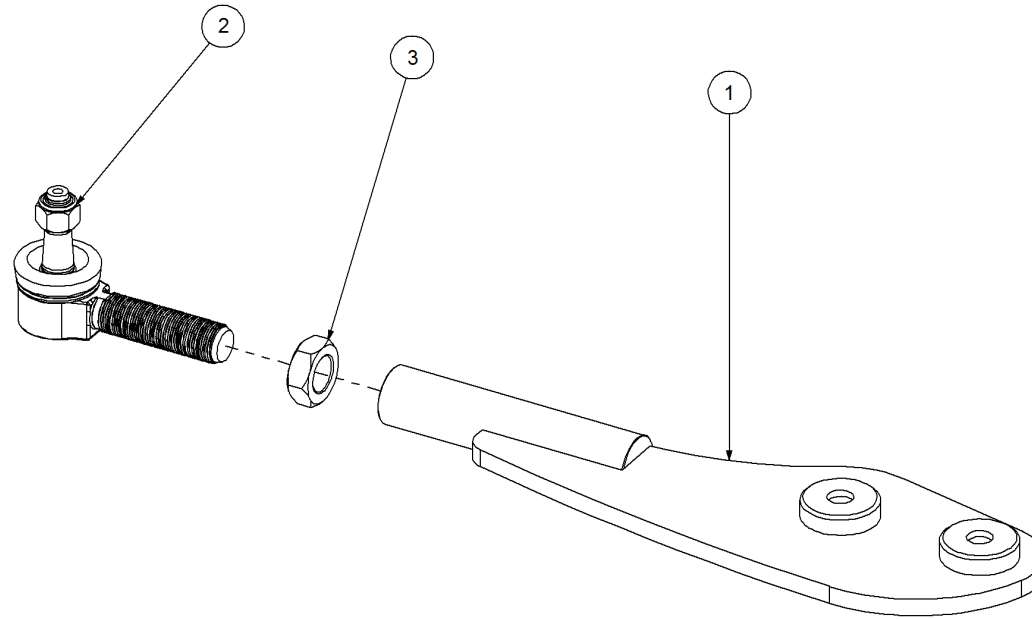




P/N 230606016 Link Assy - RH

| Key | Part Number | Description | Qty |
|------------|--------------------|---------------------------|------------|
| 1 | 230606017 | Link - RH | 1 |
| 2 | 145003859 | Tie Rod End - RH | 1 |
| 3 | 145003861 | Nut Lock 1" x 16 TPI - RH | 1 |

| Key | Part Number | Description | Qty |
|------------|--------------------|--------------------|------------|
|------------|--------------------|--------------------|------------|

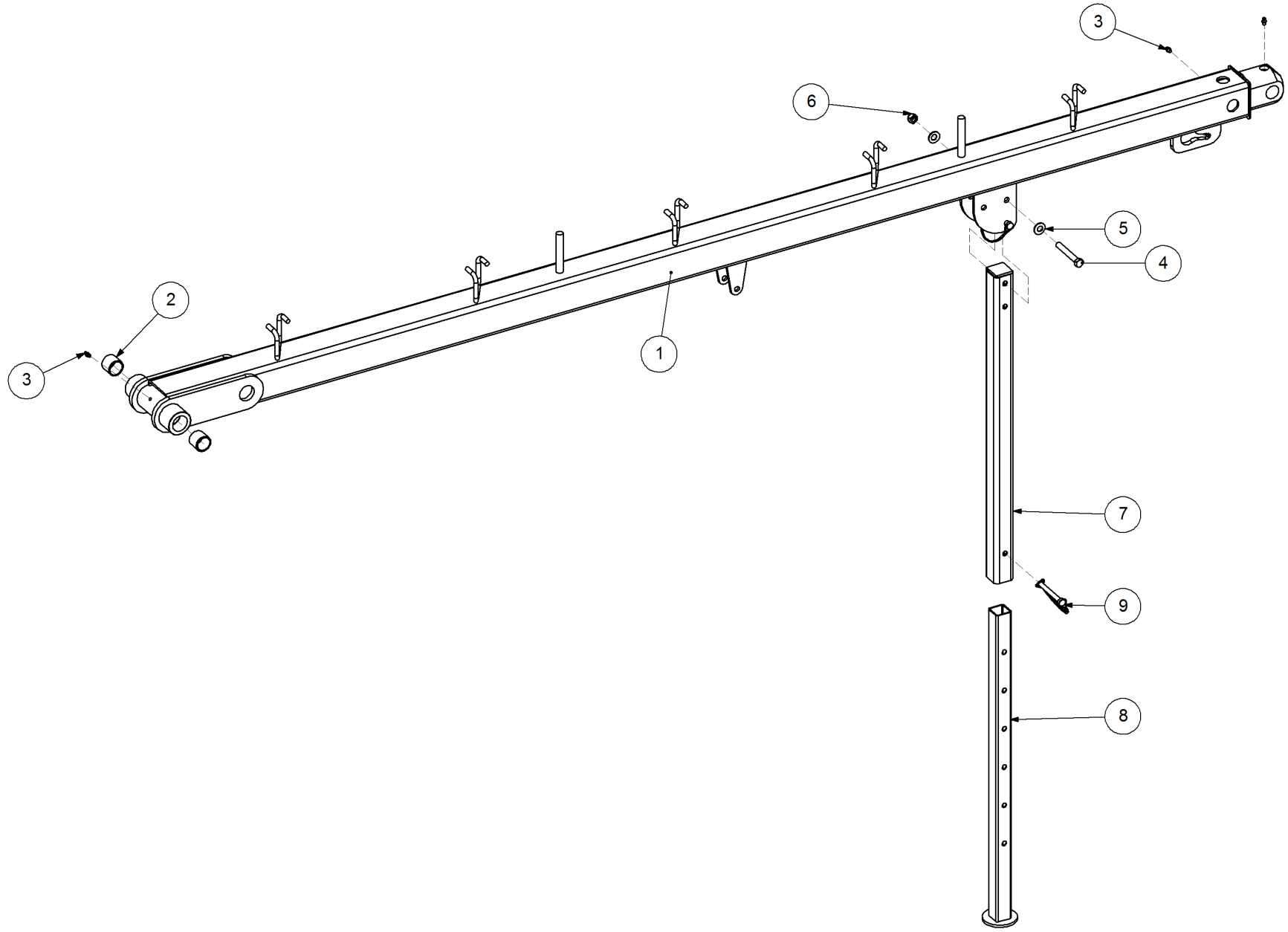




P/N 230606022 Link Assy - LH

| Key | Part Number | Description | Qty |
|------------|--------------------|---------------------------|------------|
| 1 | 230606023 | Link - LH | 1 |
| 2 | 145003859 | Tie Rod End - RH | 1 |
| 3 | 145003861 | Nut Lock 1" x 16 TPI - RH | 1 |

| Key | Part Number | Description | Qty |
|------------|--------------------|--------------------|------------|
|------------|--------------------|--------------------|------------|



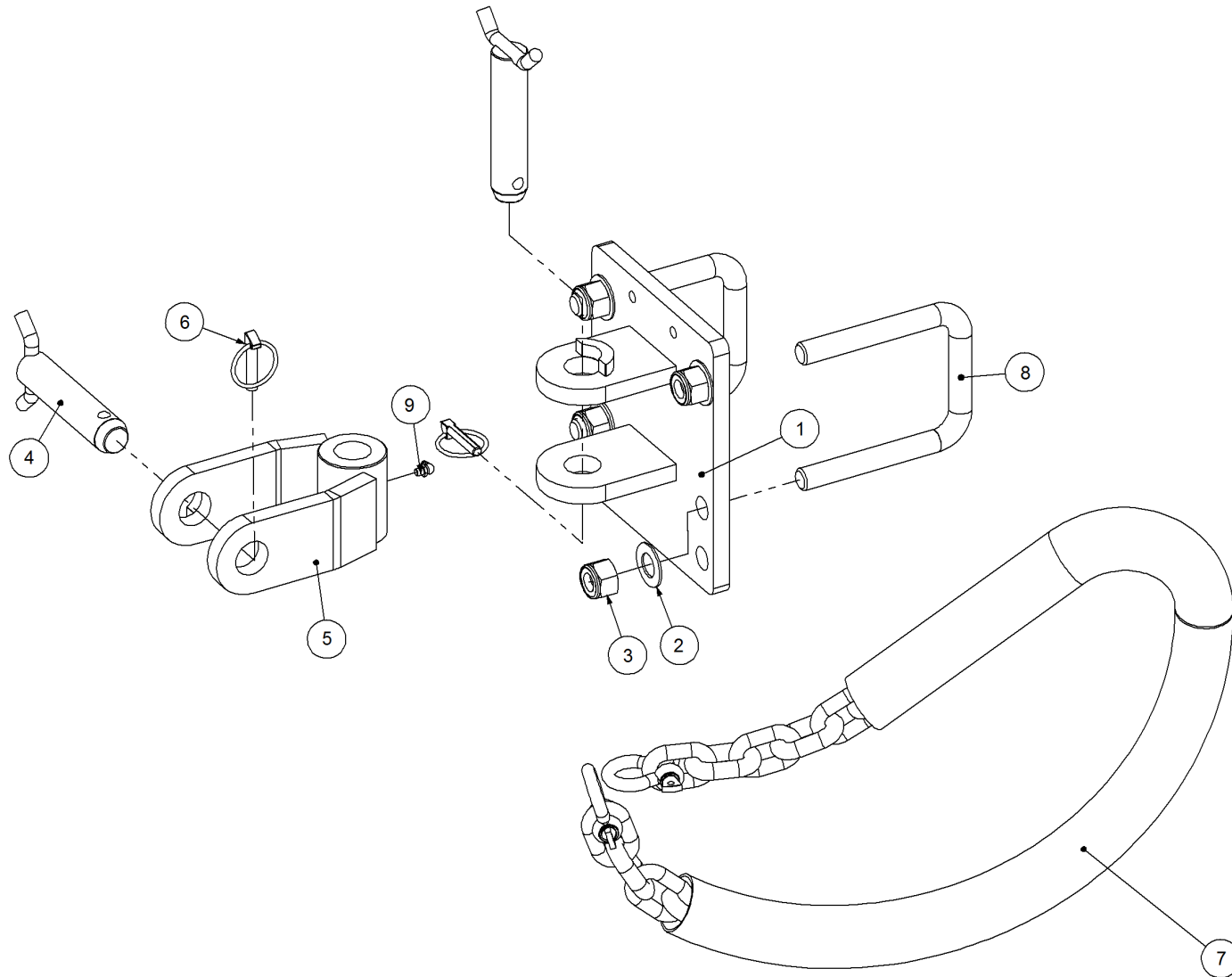


P/N 235600110 Pull Assy

| Key | Part Number | Description | Qty |
|-----|-------------|---------------------------------|-----|
| 1 | 235600111 | Pull | 1 |
| 2 | 497655243 | Bush - Hardened 31.8 ID x 32 Lg | 2 |
| 3 | 111206000 | Grease Nipple 1/4" UNF | 3 |
| 4 | 050120908 | Bolt Hex Hd M12 x 90 | 1 |
| 5 | 085112000 | Flat Washer 12 ID | 2 |
| 6 | 080121200 | Nut M12 Nyloc | 1 |
| 7 | 235600120 | Outer Tube | 1 |
| 8 | 235600122 | Lower Leg | 1 |
| 9 | 095111089 | Lynch Pin 11mm | 2 |

| Key | Part Number | Description | Qty |
|-----|-------------|-------------|-----|
|-----|-------------|-------------|-----|

P/N 233260100 Universal Hitch Assy w/- U Bolts



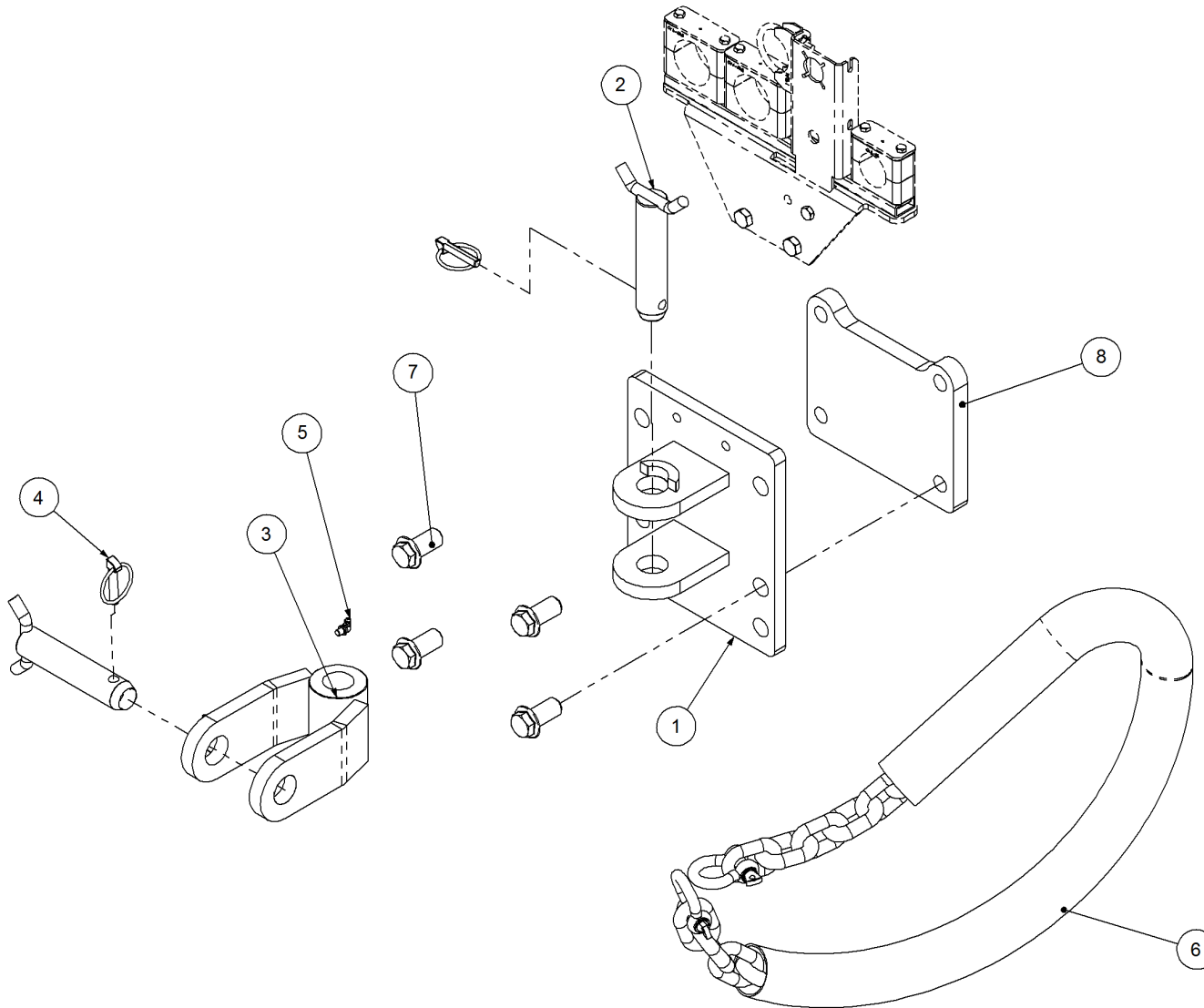


P/N 233260100

Universal Hitch Assy w/- U Bolts

| Key | Part Number | Description | Qty |
|-----|-------------|--------------------------------|-----|
| 1 | 233260141 | Universal Pull | 1 |
| 2 | 085120000 | Flat Washer 20 ID | 4 |
| 3 | 080122000 | Nut M20 Nyloc | 4 |
| 4 | 233260117 | Hitch Pin | 2 |
| 5 | 233330165 | Clevis | 1 |
| 6 | 095110036 | Lynch Pin 3/8" | 2 |
| 7 | 230603025 | Safety Chain Assy | 1 |
| 8 | 073100100 | U Bolt M20 suits 100 x 100 RHS | 2 |
| 9 | 111206900 | Grease Nipple 1/4" UNF - 90° | 1 |

| Key | Part Number | Description | Qty |
|-----|-------------|-------------|-----|
|-----|-------------|-------------|-----|

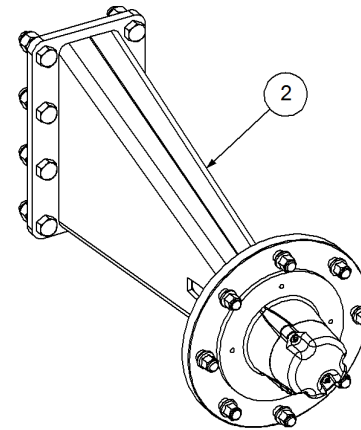
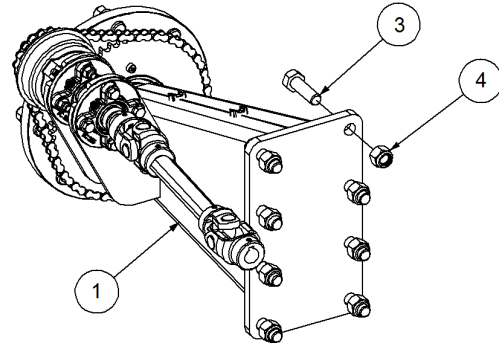




P/N 233260145 Universal Hitch Assy w/- Adaptor Plate

| Key | Part Number | Description | Qty |
|------------|--------------------|------------------------------|------------|
| 1 | 233260141 | Universal Pull | 1 |
| 2 | 233260117 | Hitch Pin | 2 |
| 3 | 233330165 | Clevis | 1 |
| 4 | 095110036 | Lynch Pin 3/8" | 2 |
| 5 | 111206750 | Grease Nipple 1/4" UNF - 75° | 1 |
| 6 | 230603025 | Safety Chain Assy | 1 |
| 7 | 054200409 | Bolt Hex Hd M20 x 40 Durlok | 4 |
| 8 | 233260113 | Adaptor Plate | 1 |

| Key | Part Number | Description | Qty |
|------------|--------------------|--------------------|------------|
|------------|--------------------|--------------------|------------|



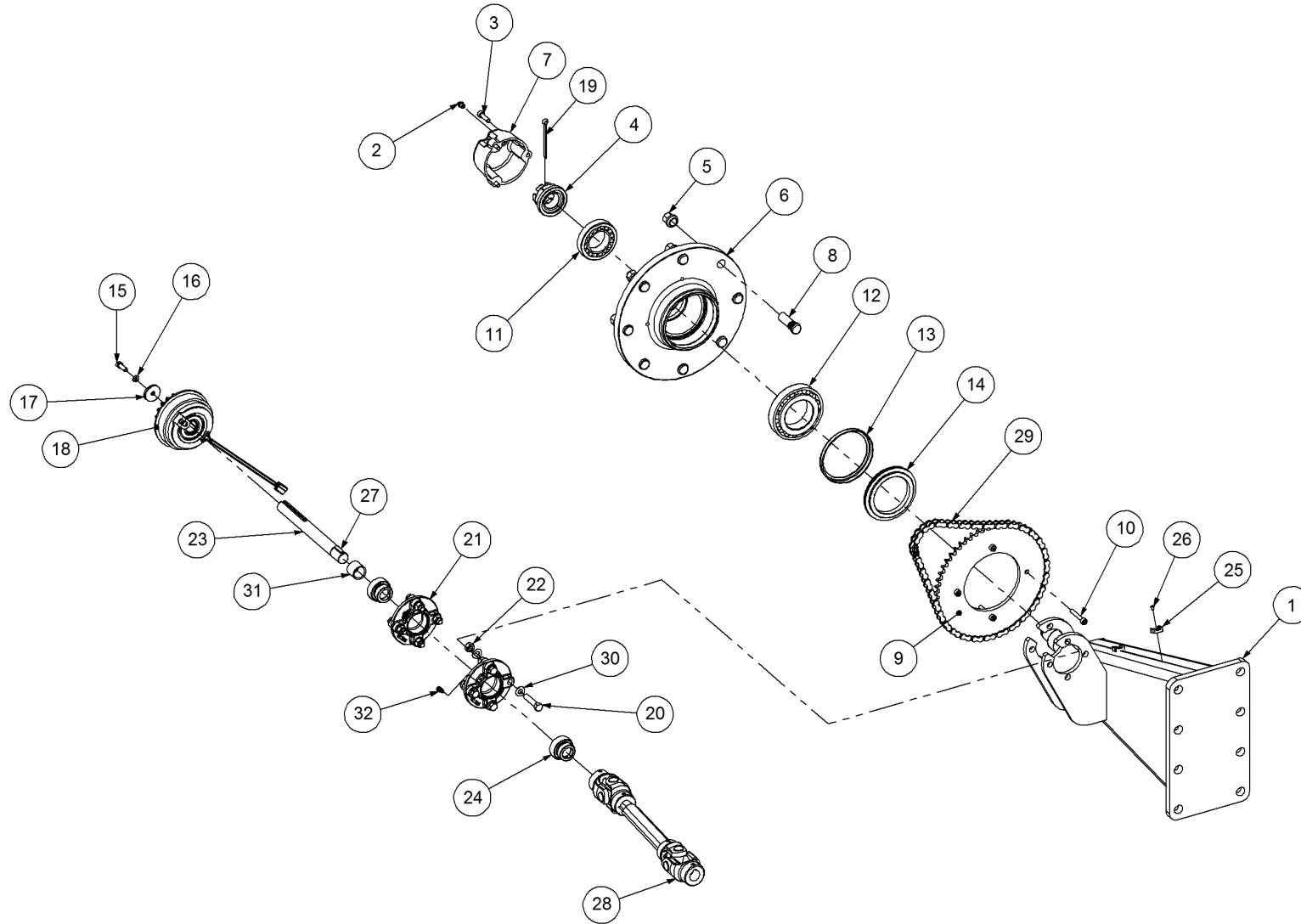


P/N 248600000

Axle Hub & Stub Kit - 3.5T (8 stud) x 3.0m

| Key | Part Number | Description | Qty |
|-----|-------------|--|-----|
| 1 | 242600000 | Axle Hub & Stub - Drive - 3.5T (8 stud) x 3.0m | 1 |
| 2 | 243600000 | Axle Hub & Stub - Lazy - 3.5T (8 stud) x 3.0m | 1 |
| 3 | 000190638 | Bolt Hex Hd 3/4" UNC x 2-1/2" | 16 |
| 4 | 030130191 | Nut 3/4" UNC Nyloc | 16 |

| Key | Part Number | Description | Qty |
|-----|-------------|-------------|-----|
|-----|-------------|-------------|-----|

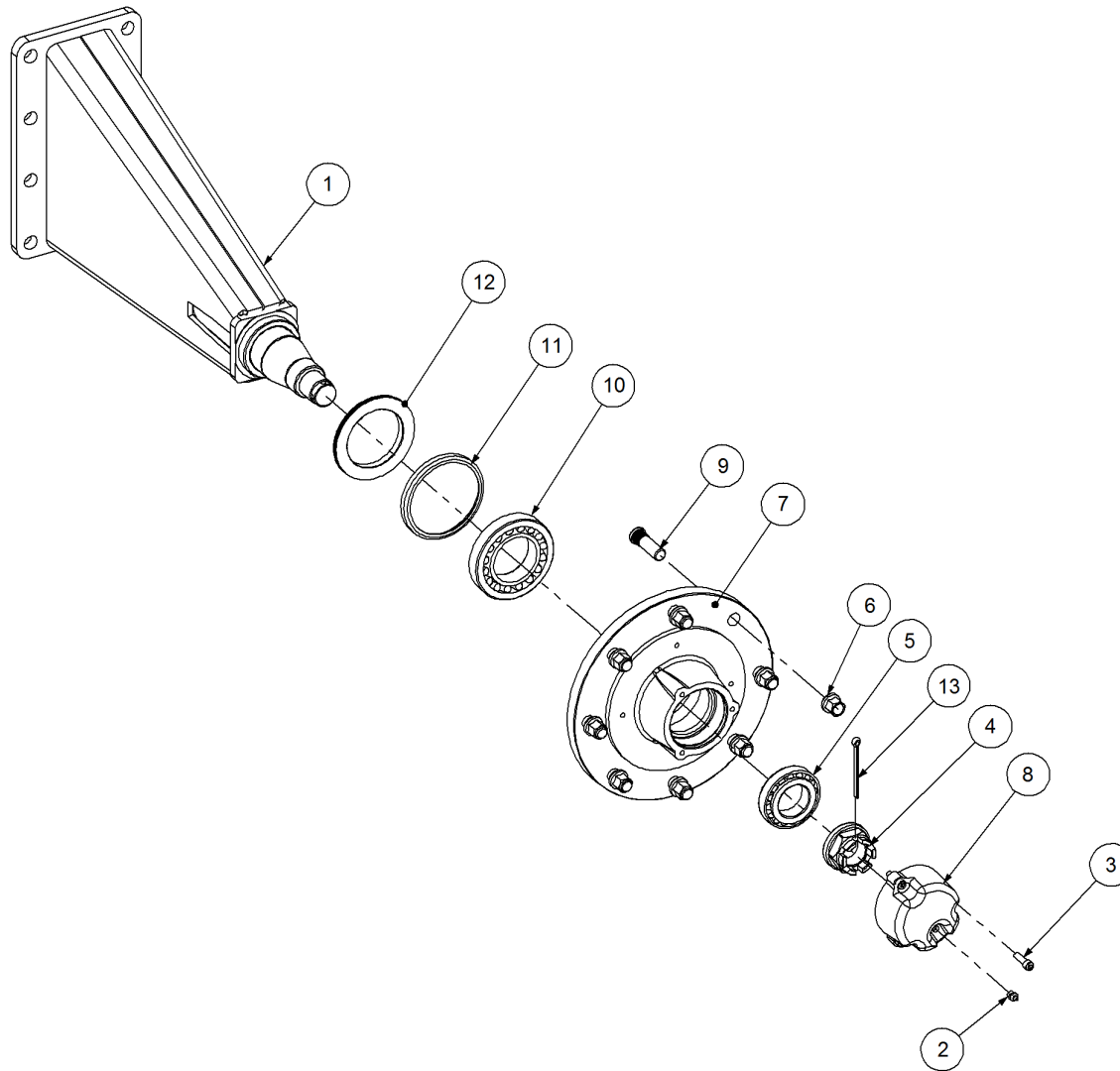




P/N 242600000 Axle Hub & Stub - Drive - 3.5T (8 stud) x 3.0m

| Key | Part Number | Description | Qty |
|-----|-------------|----------------------------------|-----|
| 1 | 242600001 | Axle - Drive | 1 |
| 2 | 111103000 | Grease Nipple 1/8" BSP | 1 |
| 3 | 060108030 | Cap Screw M8 x 30 | 3 |
| 4 | 249092002 | Axle Nut 1-1/2" | 1 |
| 5 | 080161801 | Wheel Nut M18 | 8 |
| 6 | 139075006 | Hub - 8 stud | 1 |
| 7 | 139075007 | Grease Cap | 1 |
| 8 | 056180600 | Wheel Stud M18 | 8 |
| 9 | 249150542 | Sprocket Plate 5/8" BS x 60T | 1 |
| 10 | 060108050 | Cap Screw M8 x 50 | 4 |
| 11 | 135030210 | Bearing Tapered Roller 50 ID | 1 |
| 12 | 135030214 | Bearing Tapered Roller 70 ID | 1 |
| 13 | 139075009 | Wear Ring | 1 |
| 14 | 139075008 | Seal 3-1/2" ID | 1 |
| 15 | 000080255 | Bolt Hex Hd 5/16" UNC x 1" | 1 |
| 16 | 036108000 | Spring Washer 5/16" ID | 1 |
| 17 | 290000002 | Retainer Washer | 1 |
| 18 | 115005314 | Electric Clutch w/- 18T Sprocket | 1 |
| 19 | 092206080 | Split Pin 6.3 Dia x 80 | 1 |
| 20 | 000110505 | Bolt Hex Hd 7/16" x 2" UNC | 8 |
| 21 | 136220500 | Bearing Housing - 4 Bolt | 2 |
| 22 | 030130111 | Nut 7/16" UNC Nyloc | 8 |
| 23 | 290000003 | Clutch Shaft | 1 |
| 24 | 135520525 | Bearing - 1" ID | 2 |
| 25 | 115001512 | Cable Clamp | 2 |
| 26 | 094105000 | Pop Rivet 3/16" Steel | 2 |
| 27 | 182070830 | Key 7 x 8 x 30 Lg | 1 |
| 28 | 131210490 | Drive Shaft & Universal | 1 |
| 29 | 249063000 | Chain 5/8" Simplex O'ring | 1 |
| 30 | 035111220 | Flat Washer 7/16" ID | 16 |
| 31 | 240000000 | Bush | 1 |
| 32 | 111206450 | Grease Nipple 1/4" UNF - 45° | 2 |

| Key | Part Number | Description | Qty |
|-----|-------------|-------------|-----|
|-----|-------------|-------------|-----|



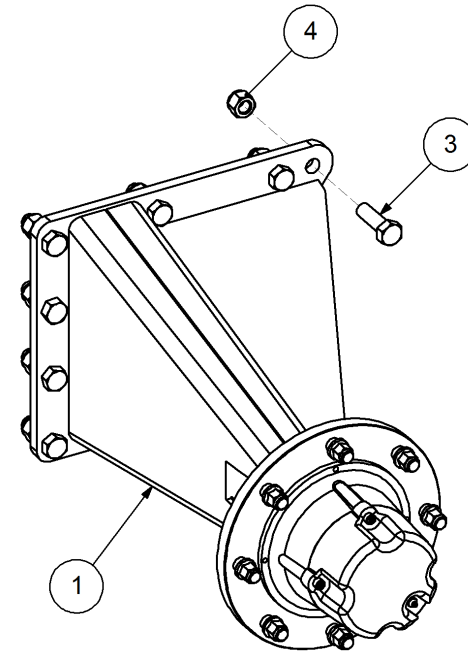
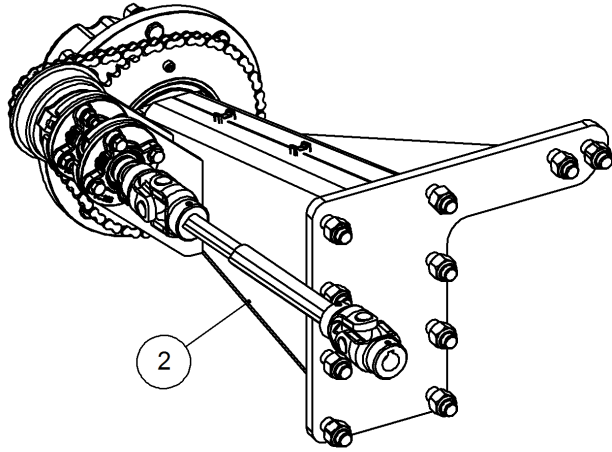


P/N 243600000

Axle Hub & Stub - Lazy - 3.5T (8 stud) x 3.0m

| Key | Part Number | Description | Qty |
|-----|-------------|------------------------------|-----|
| 1 | 243600001 | Axle - Lazy | 1 |
| 2 | 111103000 | Grease Nipple 1/8" BSP | 1 |
| 3 | 060108030 | Cap Screw M8 x 30 | 3 |
| 4 | 249092002 | Axle Nut 1-1/2" | 1 |
| 5 | 135030210 | Bearing Tapered Roller 50 ID | 1 |
| 6 | 080161801 | Wheel Nut M18 | 8 |
| 7 | 139075006 | Hub - 8 stud | 1 |
| 8 | 139075007 | Grease Cap | 1 |
| 9 | 056180600 | Wheel Stud M18 | 8 |
| 10 | 135030214 | Bearing Tapered Roller 70 ID | 1 |
| 11 | 139075009 | Wear Ring | 1 |
| 12 | 139075008 | Seal 3-1/2" ID | 1 |
| 13 | 092206080 | Split Pin 6.3 Dia x 80 | 1 |

| Key | Part Number | Description | Qty |
|-----|-------------|-------------|-----|
|-----|-------------|-------------|-----|



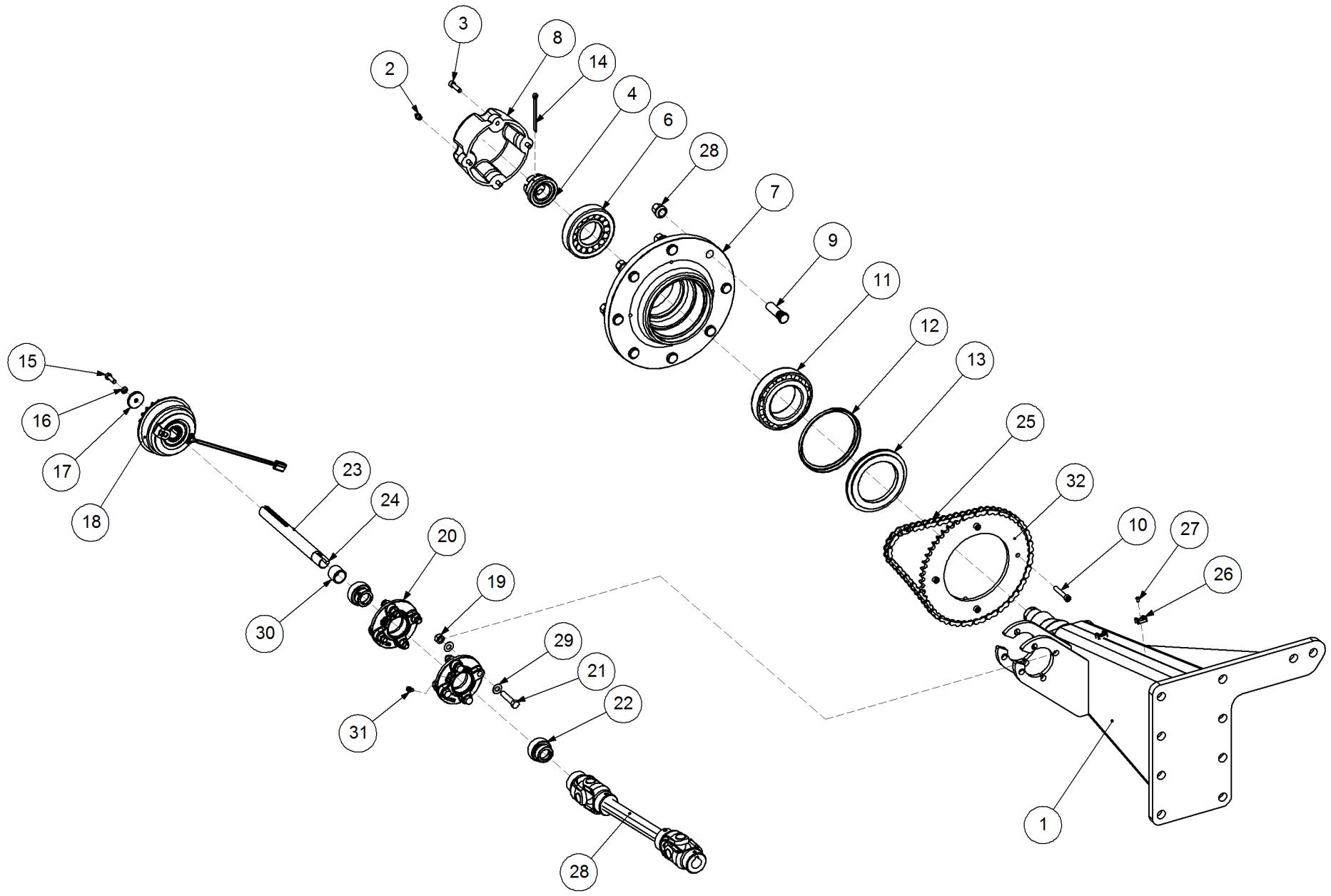


P/N 248900000

Axle Hub & Stub Kit - 6.5T (8 stud) x 3.0m

| Key | Part Number | Description | Qty |
|-----|-------------|--|-----|
| 1 | 243900000 | Axle Hub & Stub - Lazy - 6.5T (8 stud) x 3.0m | 1 |
| 2 | 242900000 | Axle Hub & Stub - Drive - 6.5T (8 stud) x 3.0m | 1 |
| 3 | 000190638 | Bolt Hex Hd 3/4" UNC x 2-1/2" | 20 |
| 4 | 030130191 | Nut 3/4" UNC Nyloc | 20 |

| Key | Part Number | Description | Qty |
|-----|-------------|-------------|-----|
|-----|-------------|-------------|-----|

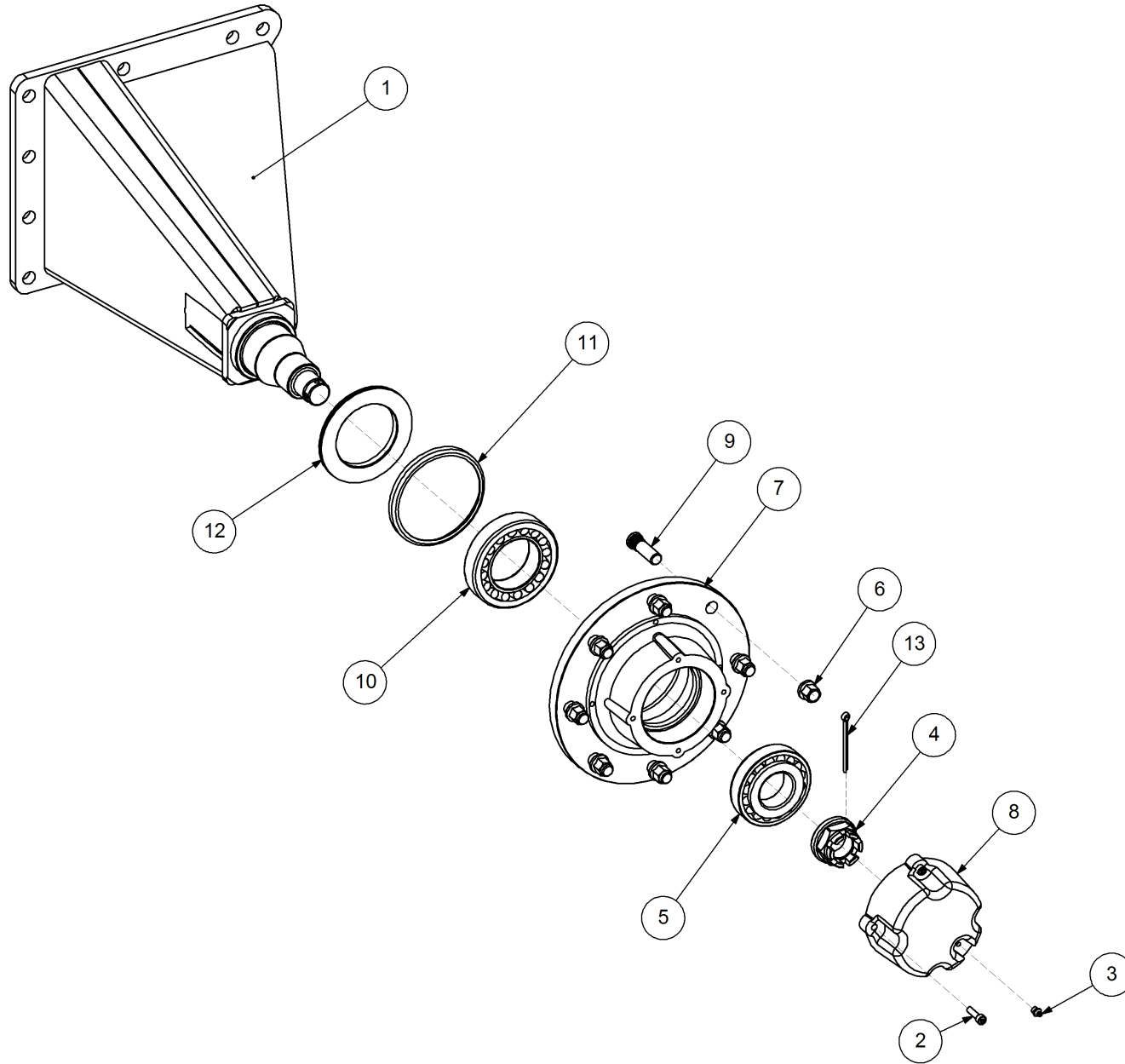




P/N 242900000 Axle Hub & Stub - Drive - 6.5T (8 stud) x 3.0m

| Key | Part Number | Description | Qty |
|-----|-------------|----------------------------------|-----|
| 1 | 242900001 | Axle - Drive | 1 |
| 2 | 111103000 | Grease Nipple 1/8" BSP | 1 |
| 3 | 060108030 | Cap Screw M8 x 30 | 4 |
| 4 | 249092002 | Axle Nut 1-1/2" | 1 |
| 5 | 080161801 | Wheel Nut M18 | 8 |
| 6 | 135030311 | Bearing Tapered Roller 55 ID | 1 |
| 7 | 139092006 | Hub - 8 stud | 1 |
| 8 | 139092007 | Grease Cap | 1 |
| 9 | 056180600 | Wheel Stud M18 | 8 |
| 10 | 060108050 | Cap Screw M8 x 50 | 4 |
| 11 | 135032216 | Bearing Tapered Roller 80 ID | 1 |
| 12 | 139092009 | Wear Ring | 1 |
| 13 | 139092008 | Seal 100 ID | 1 |
| 14 | 092206080 | Split Pin 6.3 Dia x 80 | 1 |
| 15 | 000080255 | Bolt Hex Hd 5/16" UNC x 1" | 1 |
| 16 | 036108000 | Spring Washer 5/16" ID | 1 |
| 17 | 290000002 | Retainer Washer | 1 |
| 18 | 115005314 | Electric Clutch w/- 18T Sprocket | 1 |
| 19 | 030130111 | Nut 7/16" UNC Nyloc | 8 |
| 20 | 136220500 | Bearing Housing - 4 Bolt | 2 |
| 21 | 000110505 | Bolt Hex Hd 7/16" x 2" UNC | 8 |
| 22 | 135520525 | Bearing - 1" ID | 2 |
| 23 | 290000003 | Clutch Shaft | 1 |
| 24 | 182070830 | Key 7 x 8 x 30 Lg | 1 |
| 25 | 249063000 | Chain 5/8" Simplex O'ring | 1 |
| 26 | 115001512 | Cable Clamp | 2 |
| 27 | 094105000 | Pop Rivet 3/16" Steel | 2 |
| 28 | 131210490 | Drive Shaft & Universal | 1 |
| 29 | 035108161 | Flat Washer 5/16" ID | 16 |
| 30 | 240000000 | Bush | 1 |
| 31 | 111206450 | Grease Nipple 1/4" UNF - 45° | 2 |
| 32 | 249150543 | Sprocket Plate 5/8" BS x 54T | 1 |

| Key | Part Number | Description | Qty |
|-----|-------------|-------------|-----|
|-----|-------------|-------------|-----|

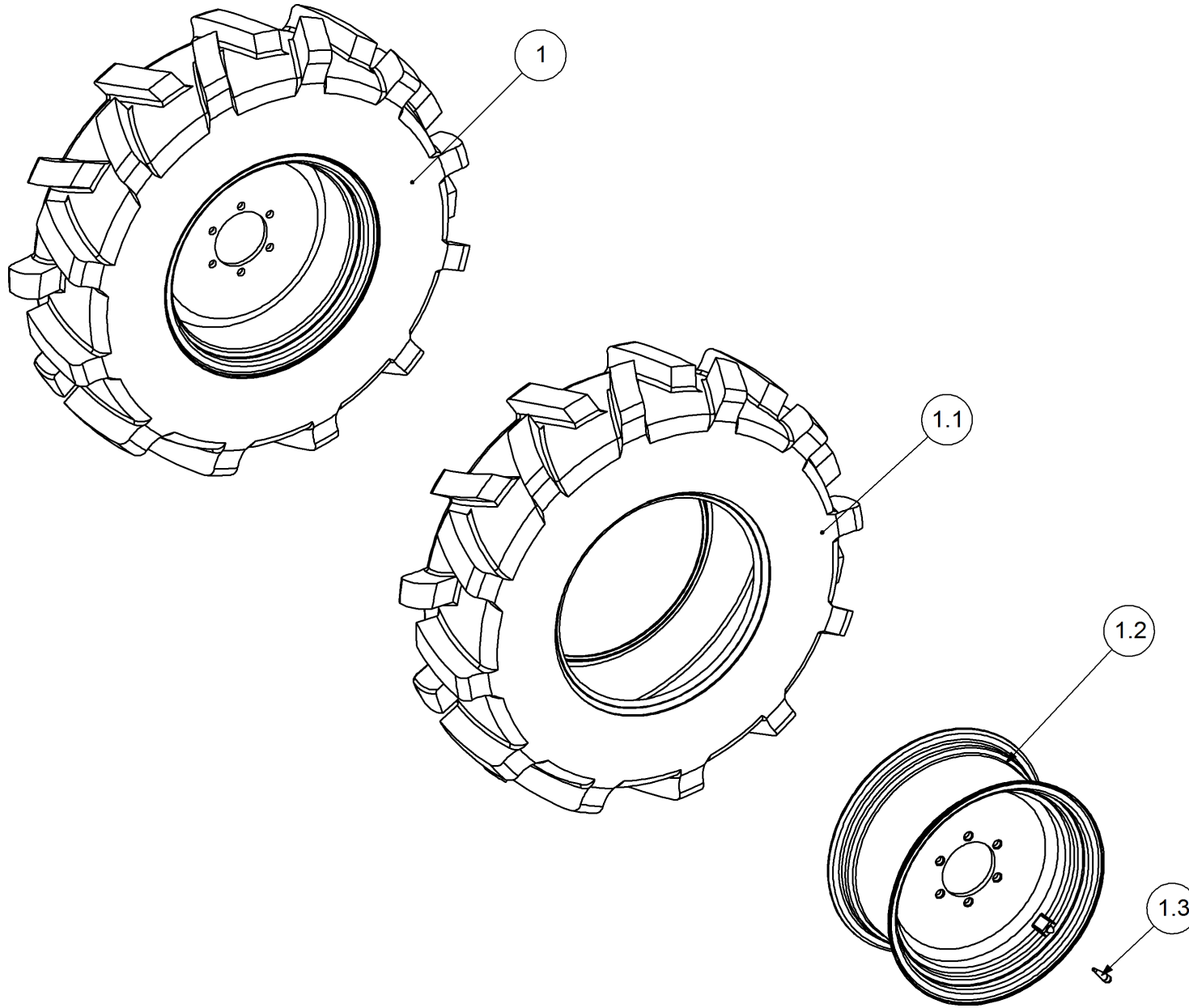




P/N 243900000 Axle Hub & Stub - Lazy - 6.5T (8 stud) x 3.0m

| Key | Part Number | Description | Qty |
|------------|--------------------|------------------------------|------------|
| 1 | 243900001 | Axle - Lazy | 1 |
| 2 | 060108030 | Cap Screw M8 x 30 | 4 |
| 3 | 111103000 | Grease Nipple 1/8" BSP | 1 |
| 4 | 249092002 | Axle Nut 1-1/2" | 1 |
| 5 | 135030311 | Bearing Tapered Roller 55 ID | 1 |
| 6 | 080161801 | Wheel Nut M18 | 8 |
| 7 | 139092006 | Hub - 8 stud | 1 |
| 8 | 139092007 | Grease Cap | 1 |
| 9 | 056180600 | Wheel Stud M18 | 8 |
| 10 | 135032216 | Bearing Tapered Roller 80 ID | 1 |
| 11 | 139092009 | Wear Ring | 1 |
| 12 | 139092008 | Seal 100 ID | 1 |
| 13 | 092206080 | Split Pin 6.3 Dia x 80 | 1 |

| Key | Part Number | Description | Qty |
|------------|--------------------|--------------------|------------|
|------------|--------------------|--------------------|------------|

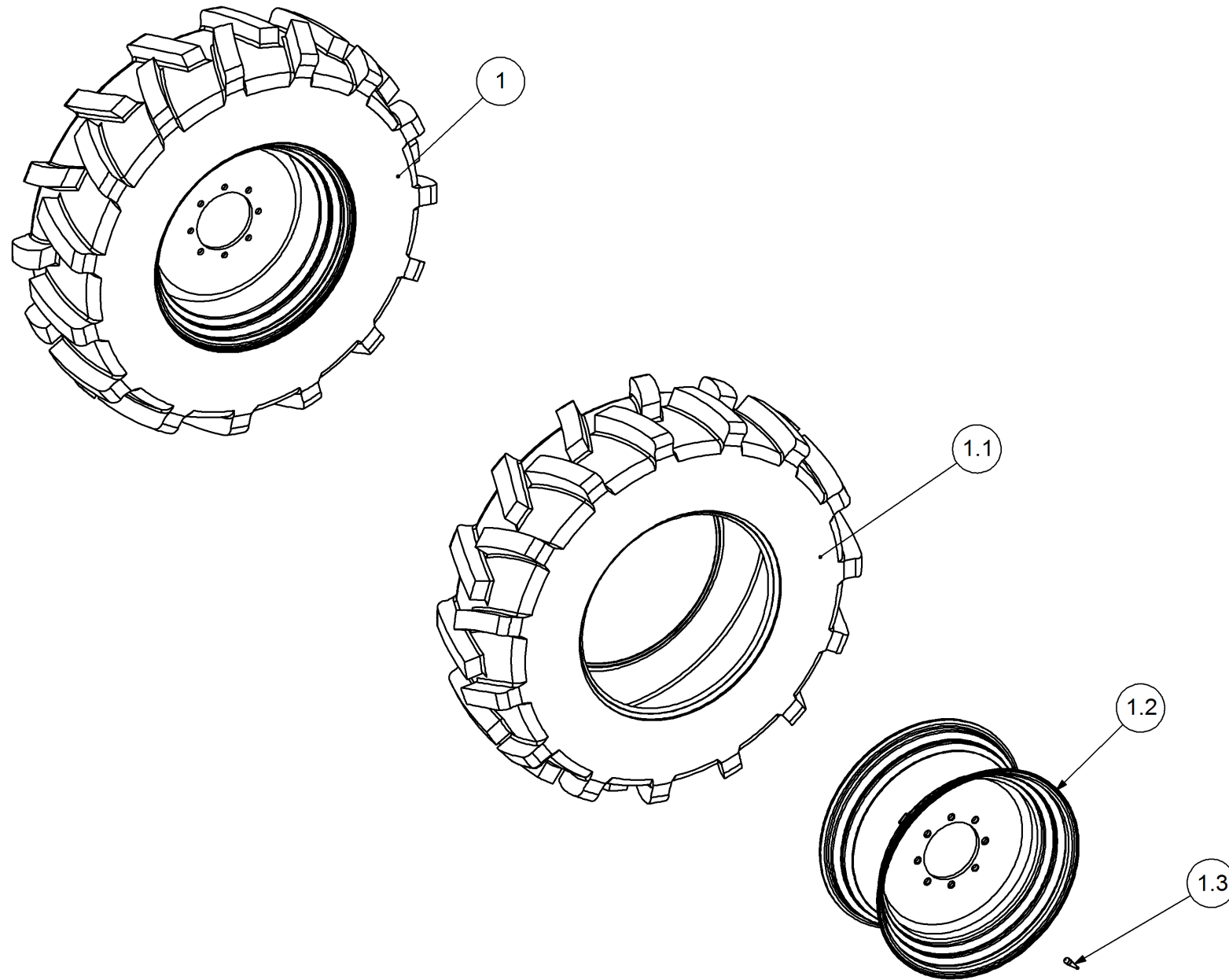




P/N 248000001 Wheel Kit - 15.5/80 x 24 Tyre - 6 stud

| Key | Part Number | Description | Qty |
|------------|--------------------|--------------------------------|------------|
| 1 | 298152406 | Wheel Assy 15.5/80 x 24 6 Stud | 2 |
| 1.1 | 142152412 | Tyre Gripster 15.5/80 x 24 | 1 |
| 1.2 | 140122406 | Rim W12 x 24 6 stud | 1 |
| 1.3 | 142000218 | Valve Stem | 1 |

| Key | Part Number | Description | Qty |
|------------|--------------------|--------------------|------------|
|------------|--------------------|--------------------|------------|

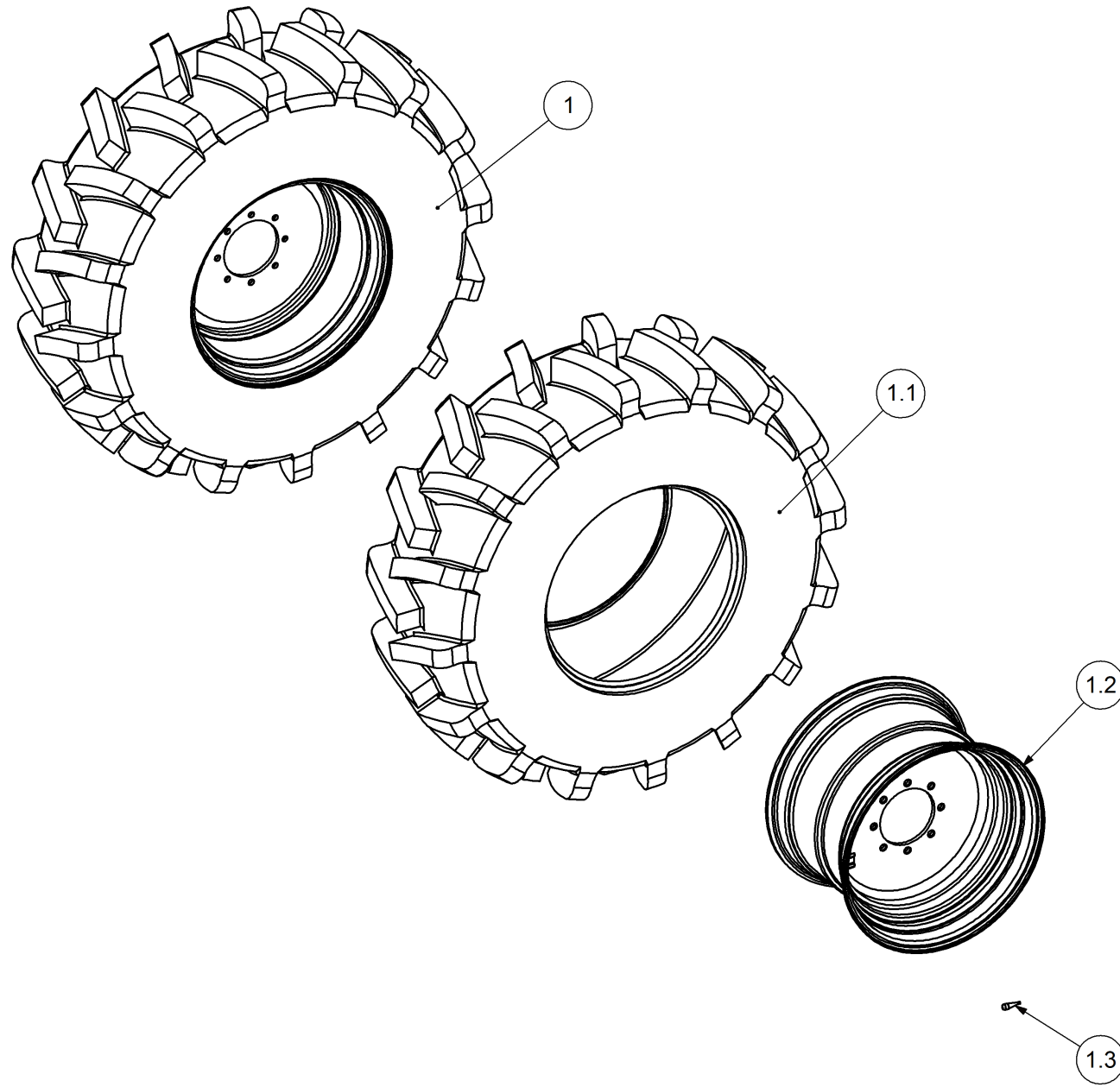




P/N 248000003 Wheel Kit - 18.4 x 30 - 8 stud

| Key | Part Number | Description | Qty |
|------------|--------------------|-----------------------------|------------|
| 1 | 298183008 | Wheel Assy 18.4 x 30 8 Stud | 2 |
| 1.1 | 142183008 | Tyre Gripster 18.4 x 30 | 1 |
| 1.2 | 140153008 | Rim DW15 x 30 8 stud | 1 |
| 1.3 | 142000218 | Valve Stem | 1 |

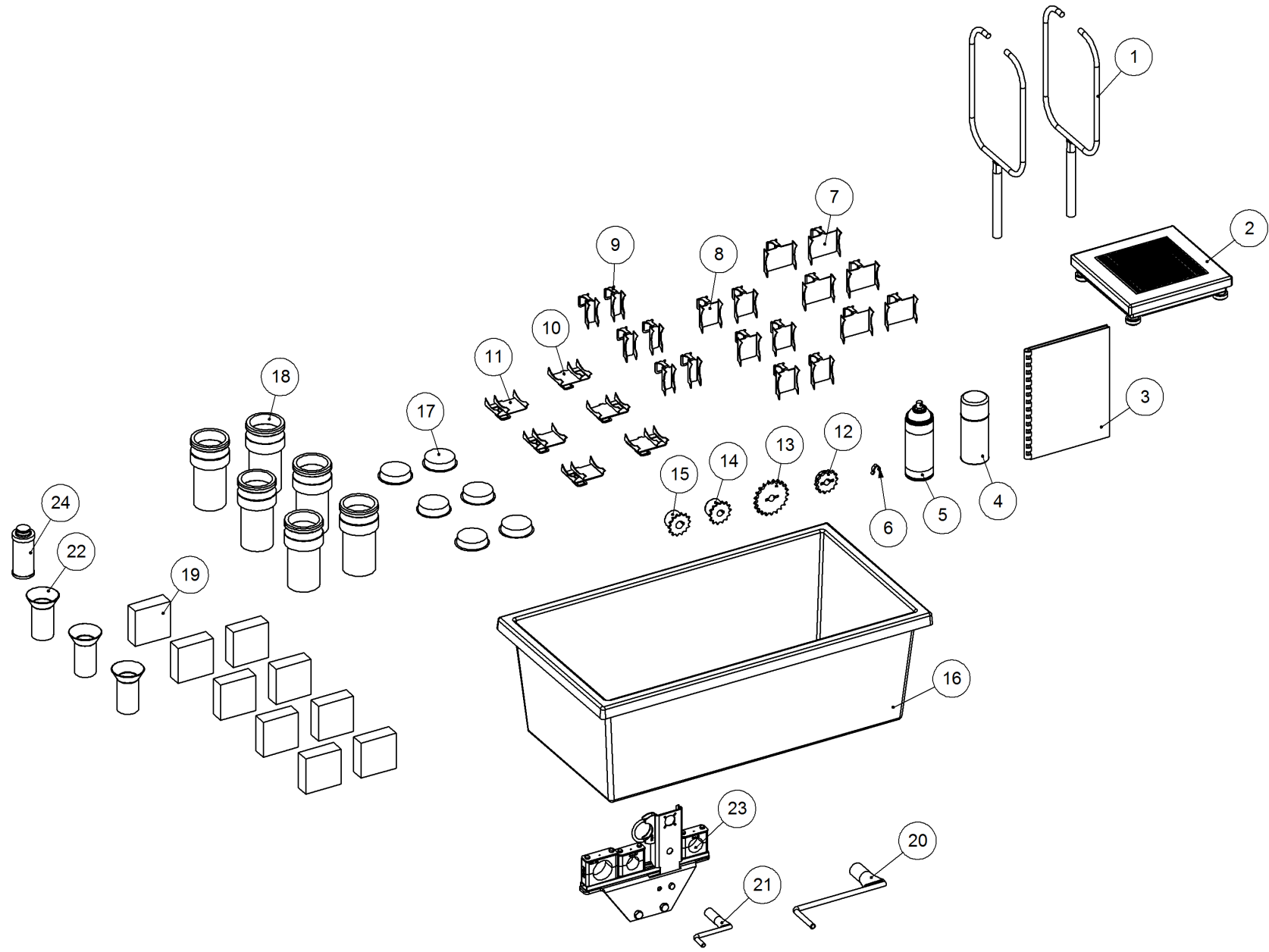
| Key | Part Number | Description | Qty |
|------------|--------------------|--------------------|------------|
|------------|--------------------|--------------------|------------|





P/N 248000004 Wheel Kit - 23.1 x 30 Tyre - 8 stud

| Key | Part Number | Description | Qty | Key | Part Number | Description | Qty |
|------------|--------------------|-----------------------------|------------|------------|--------------------|--------------------|------------|
| 1 | 298233008 | Wheel Assy 23.1 x 30 8 Stud | 2 | | | | |
| 1.1 | 142233010 | Tyre Gripster 23.1 x 30 | 1 | | | | |
| 1.2 | 140203008 | Rim DW20 x 30 8 stud | 1 | | | | |
| 1.3 | 142000218 | Valve Stem | 1 | | | | |

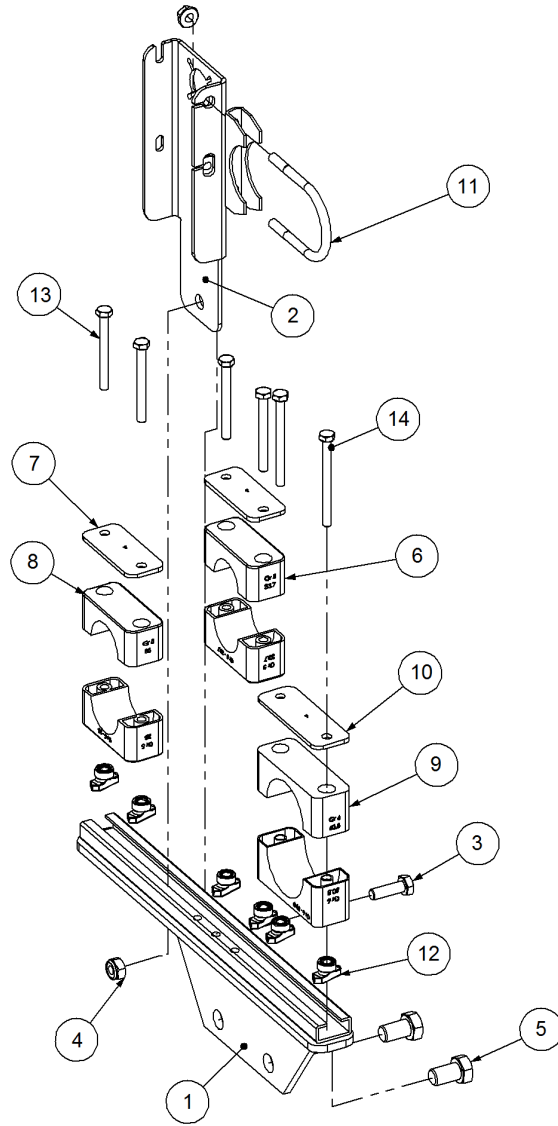




P/N 291600004 Dispatch Kit - Ground Drive

| Key | Part Number | Description | Qty |
|-----|-------------|--|-----|
| 1 | 235600011 | Hose Holder 6 Way | 2 |
| 2 | 116503080 | Electric Scales | 1 |
| 3 | 198691208 | Operator's Manual | 1 |
| 4 | 199005011 | Spray Can - Green | 1 |
| 5 | OZ300C | Ozspray Industry Grade 300gm Aerosol | 1 |
| 6 | 193003765 | Retainer Clip - Sprocket | 1 |
| 7 | 208400034 | Metering Unit Blank-Off 100% | 6 |
| 8 | 208400033 | Metering Unit Blank-Off 66% | 6 |
| 9 | 208400032 | Metering Unit Blank-Off 33% | 6 |
| 10 | 208600058 | Metering Unit Blank Off (Canola) LH | 3 |
| 11 | 208600060 | Metering Unit Blank Off (Canola) RH | 3 |
| 12 | 126131405 | Sprocket (Plastic) 1/2" BS x 14T - 5/8" ID | 1 |
| 13 | 126132106 | Sprocket (Plastic) 1/2" BS x 21T - 5/8" ID | 1 |
| 14 | 290000032 | Sprocket (Plastic) 1/2" BS x 14T - 5/8" ID | 1 |
| 15 | 290000031 | Sprocket (Plastic) 1/2" BS x 14T - 3/4" ID | 1 |
| 16 | 197809005 | Weighing Container | 1 |
| 17 | 197000765 | Blank Off Cap 3" | 6 |
| 18 | 280000276 | Camlock 3" Male With Tail | 6 |
| 19 | 197959535 | Blank Off Sponge | 9 |
| 20 | 208400045 | Crank Handle - Short | 1 |
| 21 | 208400095 | Crank Handle | 1 |
| 22 | 208076050 | Air Restrictor | 3 |
| 23 | 233260120 | Hyd Hose & Electrical Connector Assy | 1 |
| 24 | 159424400 | Filter Element | 1 |

| Key | Part Number | Description | Qty |
|-----|-------------|-------------|-----|
|-----|-------------|-------------|-----|



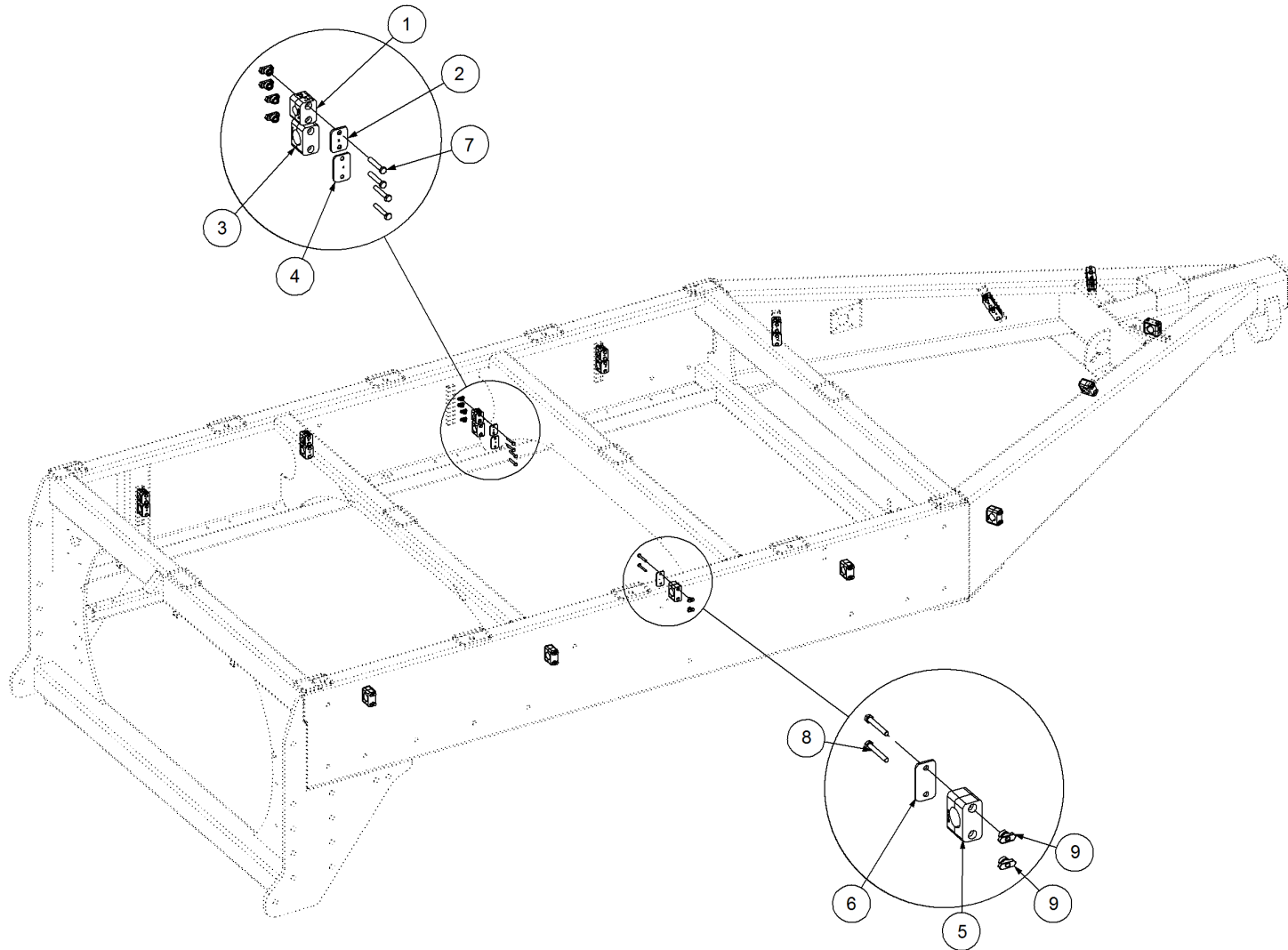


P/N 233260120

Hyd Hose & Electrical Connector Assy

| Key | Part Number | Description | Qty |
|-----|-------------|----------------------------|-----|
| 1 | 233260121 | Hyd Hose Bracket | 1 |
| 2 | 233260123 | Electrical Fitting Bracket | 1 |
| 3 | 050080258 | Bolt Hex Hd M8 x 25 | 1 |
| 4 | 080120800 | Nut M8 Nyloc | 1 |
| 5 | 050120208 | Bolt Hex Hd M12 x 20 | 2 |
| 6 | 156145337 | Clamp Pipe Single 33.7 Dia | 1 |
| 7 | 156165000 | Clamp Top Plate | 2 |
| 8 | 156145380 | Clamp Pipe Single 38 Dia | 1 |
| 9 | 156146508 | Clamp Pipe Single 50.8 Dia | 1 |
| 10 | 156166000 | Clamp Top Plate | 1 |
| 11 | 103100045 | Clamp Exhaust 1-3/4" Dia | 1 |
| 12 | 156180006 | Stauff Rail Nut M6 | 6 |
| 13 | 050060608 | Bolt Hex Hd M6 x 60 | 4 |
| 14 | 050060708 | Bolt Hex Hd M6 x 70 | 2 |

| Key | Part Number | Description | Qty |
|-----|-------------|-------------|-----|
|-----|-------------|-------------|-----|

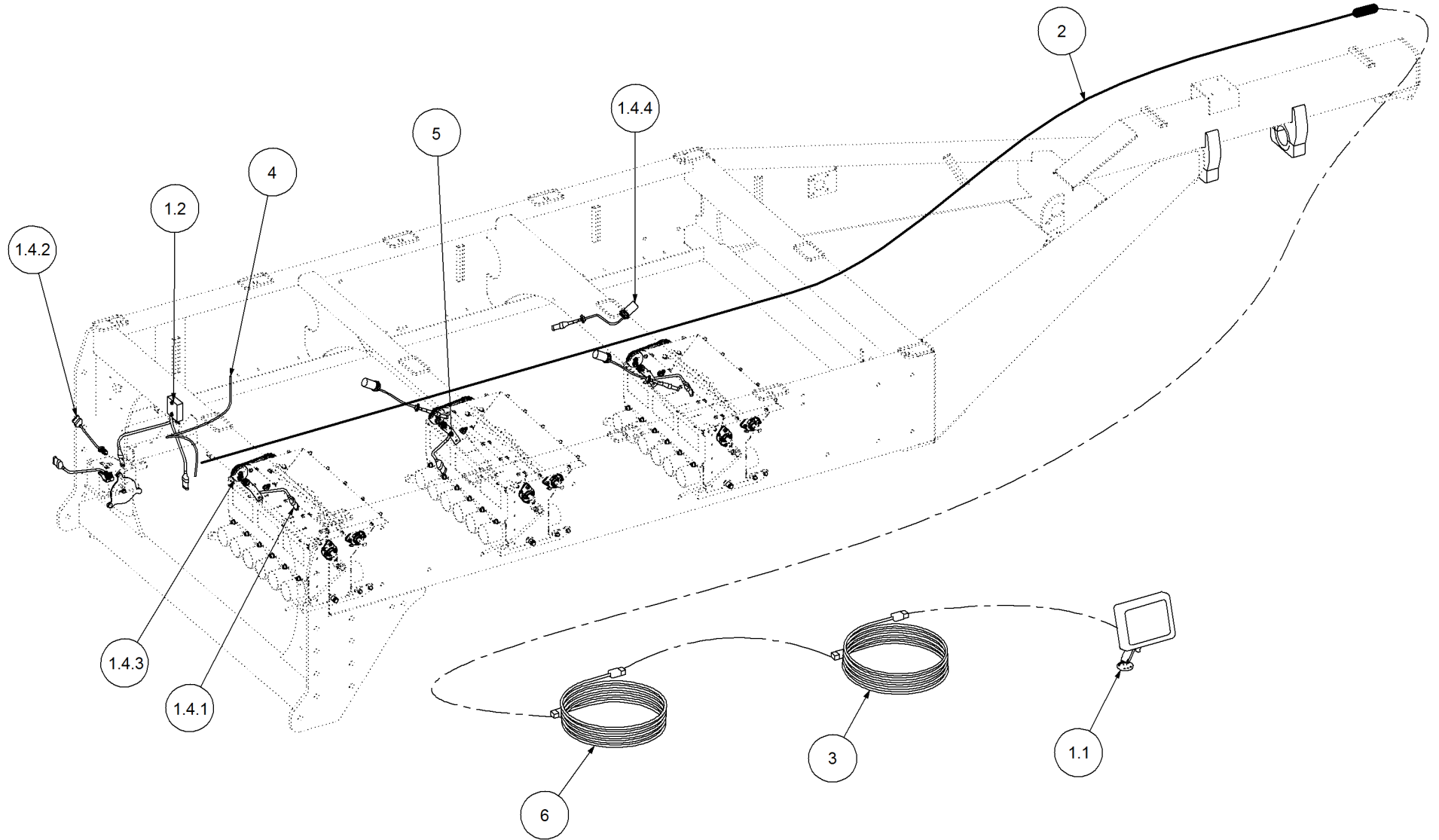




P/N 156590005 Stauff Clamp Kit

| Key | Part Number | Description | Qty |
|------------|--------------------|----------------------------|------------|
| 1 | 156142160 | Clamp Pipe Single 16 Dia | 7 |
| 2 | 156162000 | Clamp Top Plate | 7 |
| 3 | 156143254 | Clamp Pipe Single 25.4 Dia | 7 |
| 4 | 156163000 | Clamp Top Plate | 7 |
| 5 | 156144280 | Clamp Pipe Single 28 Dia | 7 |
| 6 | 156164000 | Clamp Top Plate | 7 |
| 7 | 050060408 | Bolt Hex Hd M6 x 40 | 28 |
| 8 | 050060458 | Bolt Hex Hd M6 x 45 | 14 |
| 9 | 156180006 | Stauff Rail Nut M6 | 42 |

| Key | Part Number | Description | Qty |
|------------|--------------------|--------------------|------------|
|------------|--------------------|--------------------|------------|



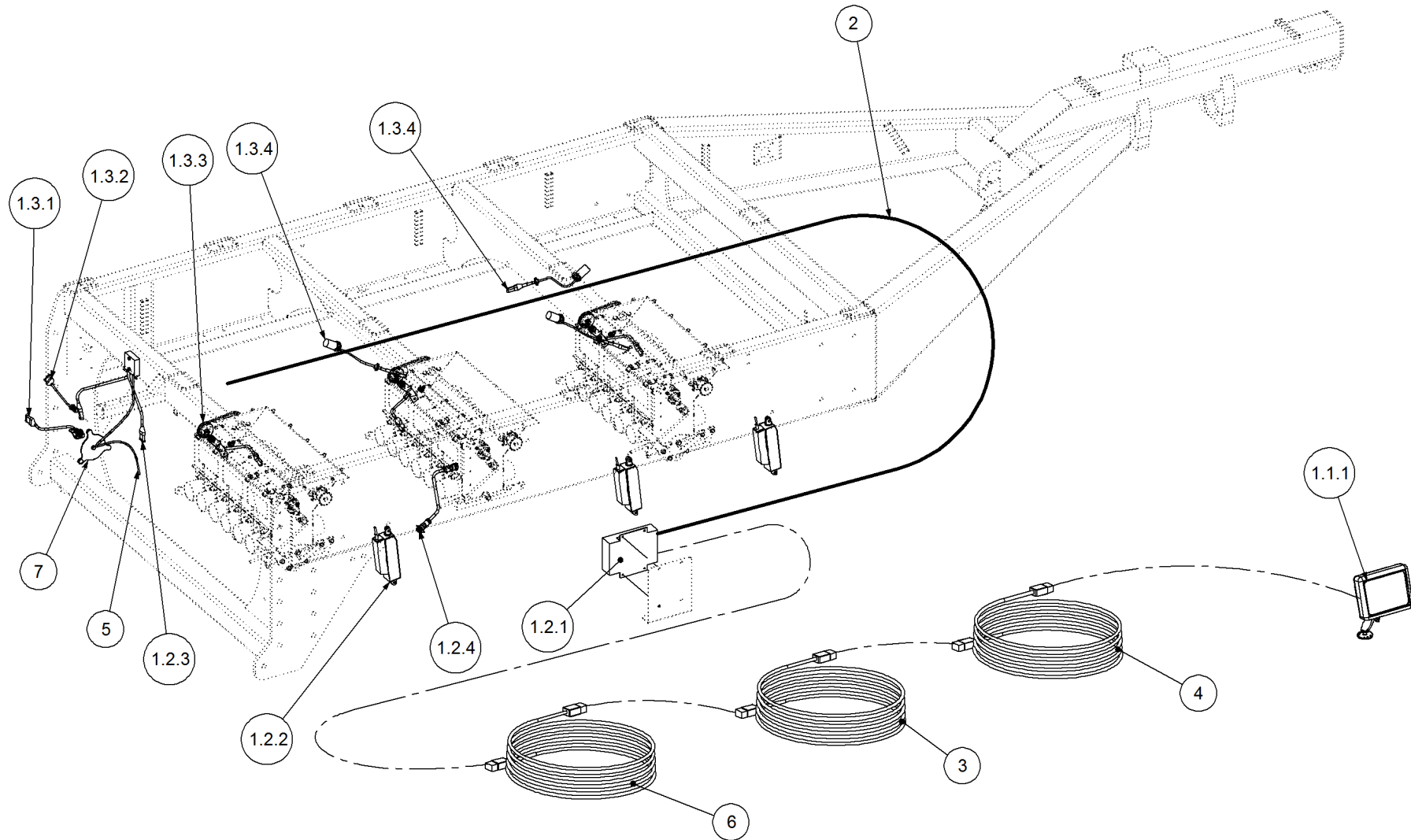


P/N 290246500

Monitor & Harness Kit - Eagle 3 Bin

| Key | Part Number | Description | Qty |
|-------|-------------|-----------------------------------|-----|
| 1 | 116246500 | Monitor - Eagle 3 Bin | 1 |
| 1.1 | 116701755 | Console - Eagle | 1 |
| 1.2 | 116900267 | Sensor Kit - Fan Pressure | 1 |
| 1.3 | 116700600 | Operator's Manual - Eagle Monitor | 1 |
| 1.4 | 116400494 | Sensor Kit - Eagle 3 Bin | 1 |
| 1.4.1 | 116901200 | Sensor - Speed | 4 |
| 1.4.2 | 116900755 | Sensor - Fan | 1 |
| 1.4.3 | 116900442 | Encoder - 8 Magnet | 3 |
| 1.4.4 | 116900667 | Sensor Kit - Bin Level | 3 |
| 2 | 116700453 | Harness - 4 Bin | 1 |
| 3 | 116701780 | Harness - Tractor | 1 |
| 4 | 109600006 | Air Line | 1 |
| 5 | 290000104 | Sensor Mount Kit - 3 Bin | 1 |
| 6 | 116701124 | Harness - 13.0 m Extension | 1 |

| Key | Part Number | Description | Qty |
|-----|-------------|-------------|-----|
|-----|-------------|-------------|-----|



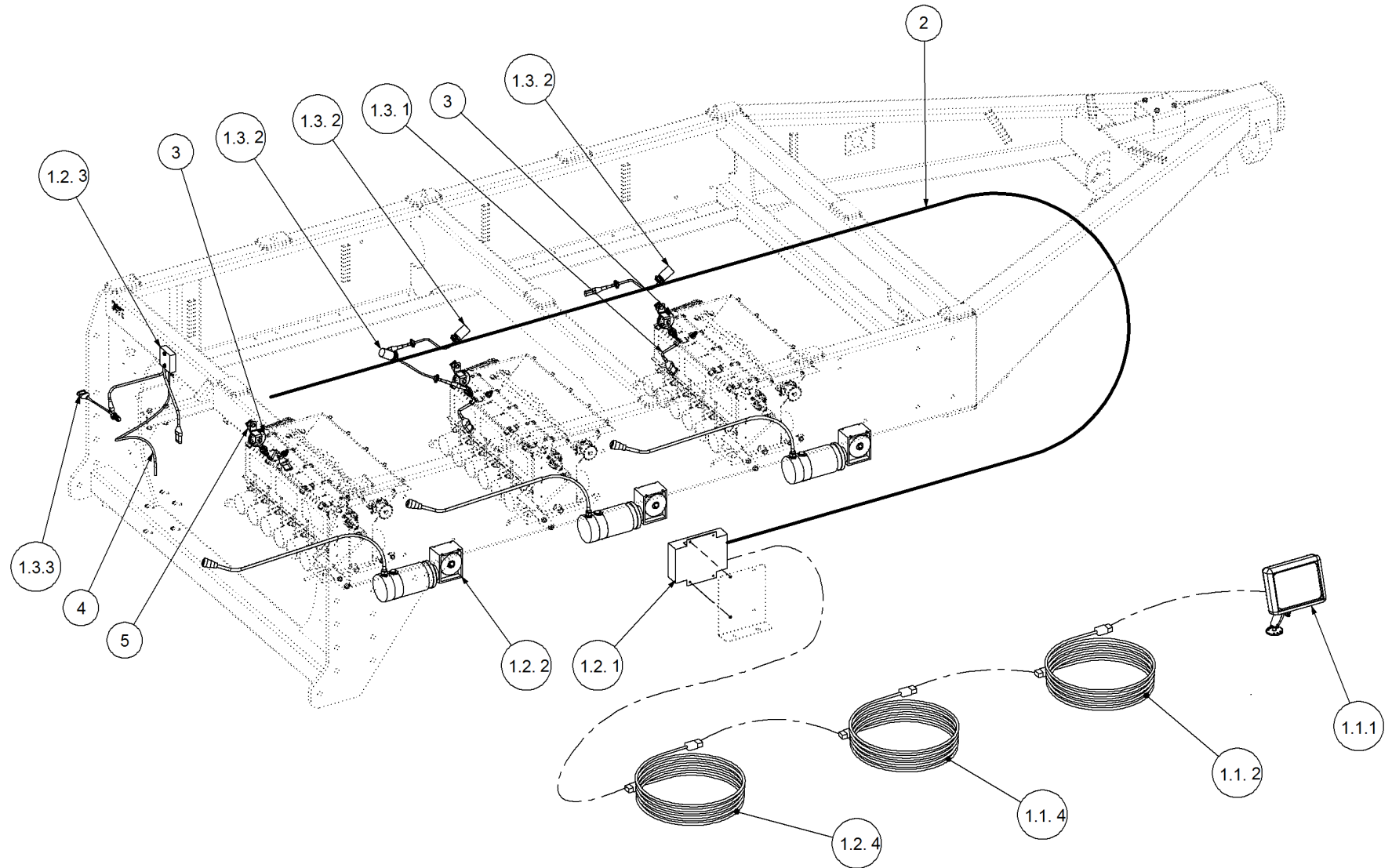


P/N 290103457

Monitor & Harness Kit - Eagle 3 Bin w/- Actuator

| Key | Part Number | Description | Qty |
|-------|-------------|---|-----|
| 1 | 116103457 | Monitor - Eagle 3 Bin (Actuator) | 1 |
| 1.1 | 116400670 | Actuator Kit - 3 Bin | 1 |
| 1.1.1 | 116701755 | Console - Eagle | 1 |
| 1.1.2 | 116900874 | Manual - Eagle (Actuator) | 1 |
| 1.2 | 116400456 | Actuator Kit - 3 Bin | 1 |
| 1.2.1 | 116101526 | Multi Drive Electronic Control Unit (MDECU) 4 Bin | 1 |
| 1.2.2 | 116900443 | Linear Actuator | 3 |
| 1.2.3 | 116900267 | Sensor Kit - Fan Pressure | 1 |
| 1.2.4 | 116701296 | Cable - Actuator Extension | 1 |
| 1.3 | 116400494 | Sensor Kit - Eagle 3 Bin | 1 |
| 1.3.1 | 116901200 | Sensor - Speed | 4 |
| 1.3.2 | 116900755 | Sensor - Fan | 1 |
| 1.3.3 | 116900442 | Encoder - 8 Magnet | 3 |
| 1.3.4 | 116900667 | Sensor Kit - Bin Level | 3 |
| 2 | 116700453 | Harness - 4 Bin | 1 |
| 3 | 116700467 | Harness - 12.5m Extension | 1 |
| 4 | 116701973 | Harness - Tractor | 1 |
| 5 | 109600006 | Air Line | 1 |
| 6 | 116700468 | Harness - 10.0m Extension | 1 |
| 7 | 290000104 | Sensor Mount Kit - 3 Bin | 1 |

| Key | Part Number | Description | Qty |
|-----|-------------|-------------|-----|
|-----|-------------|-------------|-----|

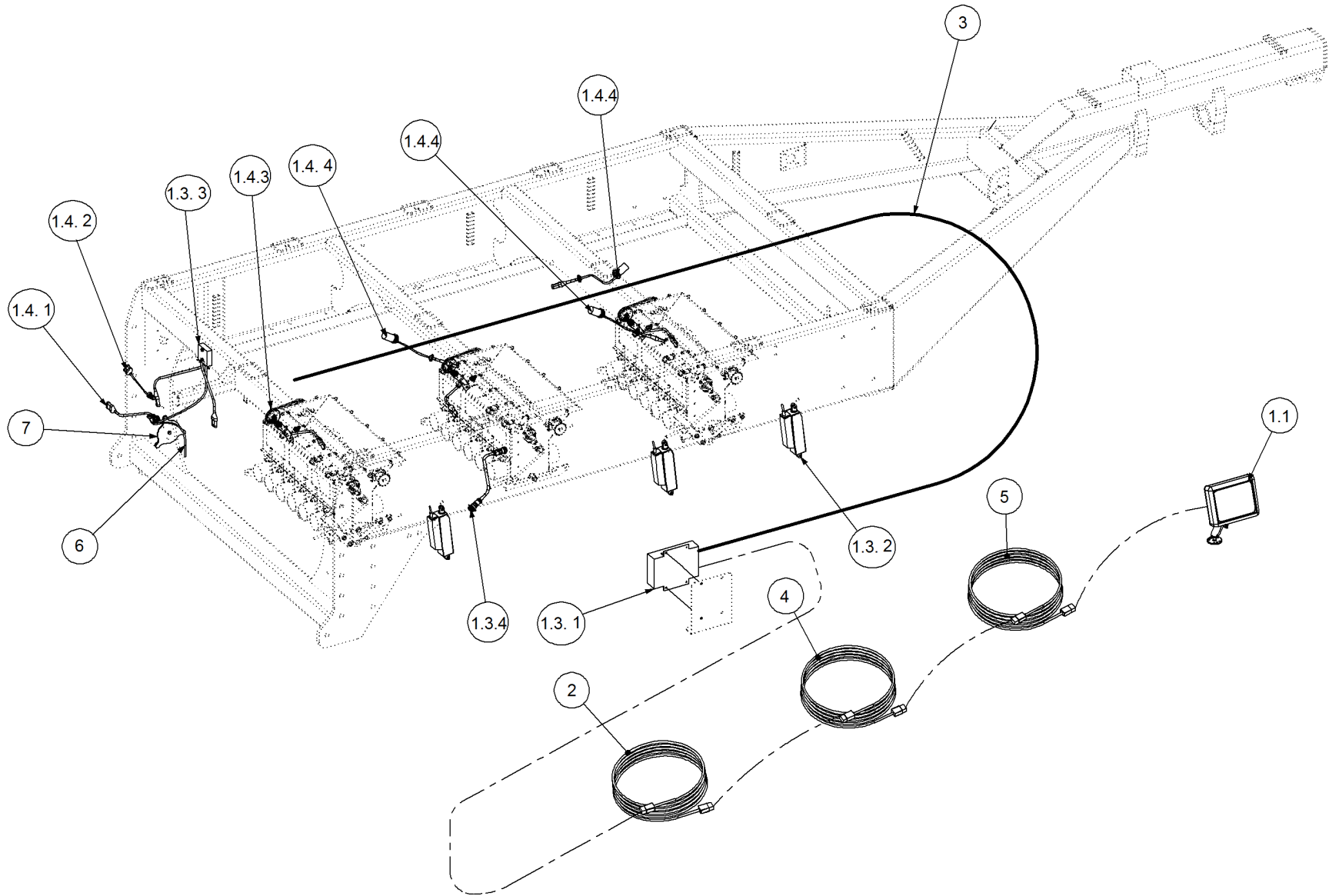




P/N 290103375 Monitor & Harness Kit - Eagle 3 Bin w/- Electric Drive

| Key | Part Number | Description | Qty |
|-------|-------------|---|-----|
| 1 | 116103375 | Monitor - Eagle 3 Bin (Electric Drive) | 1 |
| 1.1 | 116400687 | Dealer Kit - Eagle Electric Drive | 1 |
| 1.1.1 | 116701755 | Console - Eagle | 1 |
| 1.1.2 | 116701985 | Harness - Tractor | 1 |
| 1.1.3 | 116900875 | Manual - Eagle (Electric Drive) | 1 |
| 1.1.4 | 116700830 | Harness - 12.5m Extension | 1 |
| 1.2 | 116400692 | Factory Kit - Eagle Electric Drive | 1 |
| 1.2.1 | 116101526 | Multi Drive Electronic Control Unit (MDECU) 4 Bin | 1 |
| 1.2.2 | 116901350 | Electric Drive & Gearbox | 3 |
| 1.2.3 | 116900267 | Sensor Kit - Fan Pressure | 1 |
| 1.2.4 | 116700833 | Harness - 9.5m Extension | 1 |
| 1.3 | 116400355 | Sensor Kit - 3 Bin | 1 |
| 1.3.1 | 116901200 | Sensor - Speed | 3 |
| 1.3.2 | 116900667 | Sensor Kit - Bin Level | 3 |
| 1.3.3 | 116900755 | Sensor - Fan | 1 |
| 1.4 | 116103017 | Power Adaptor - GPS | 1 |
| 1.5 | 116103023E | Antenna - GPS | 1 |
| 2 | 116700453 | Harness - 4 Bin | 1 |
| 3 | 116900442 | Encoder - 8 Magnet | 3 |
| 4 | 109600006 | Air Line | 1 |
| 5 | 290000108 | Sensor Mount Kit - 3 Bin (Electric) | 1 |

| Key | Part Number | Description | Qty |
|-----|-------------|-------------|-----|
|-----|-------------|-------------|-----|



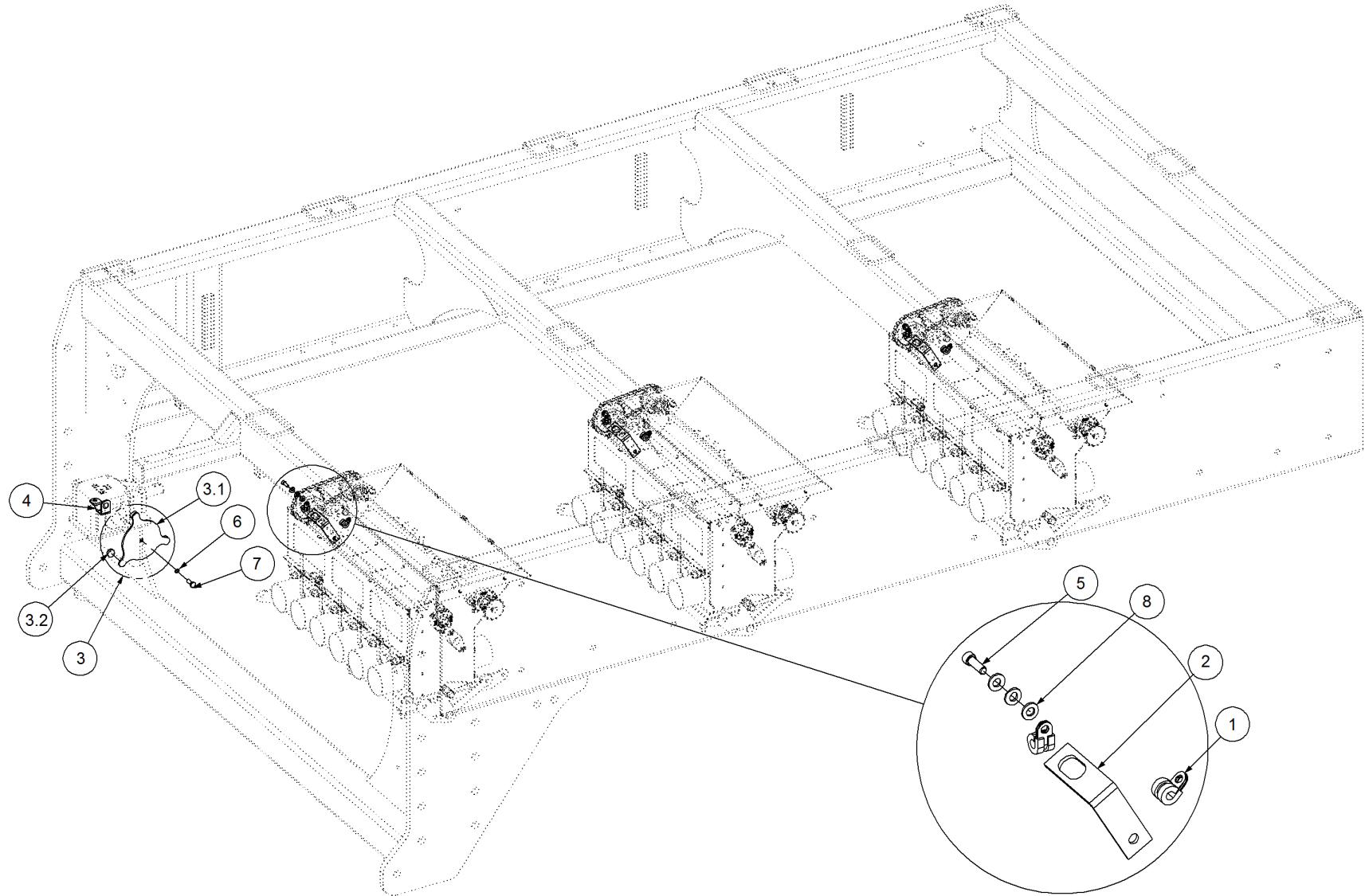


P/N 290103100

Monitor & Harness Kit - X20 3 Bin w/- Actuator

| Key | Part Number | Description | Qty |
|-------|-------------|---|-----|
| 1 | 116103100 | Monitor - X20 3 Bin (Actuator) | 1 |
| 1.1 | 116409054 | Console Kit - X20 | 1 |
| 1.1.1 | 116702927 | Console - X20 Complete | 1 |
| 1.1.2 | 116702400 | Harness - X20 Power | 1 |
| 1.1.3 | 116702665 | Keyboard - X20 | 1 |
| 1.1.4 | 116702615 | Mount Kit - X20 | 1 |
| 1.1.5 | 116901224 | Mouse - 2 Button | 1 |
| 1.1.6 | 116901229 | Speaker - External | 1 |
| 1.1.7 | 116701901 | Cable - X20 GPS | 1 |
| 1.2 | 116400921 | Interface - X10 / X15 ECU | 1 |
| 1.2.1 | 116101258 | Controller - Seed Rate Interface | 1 |
| 1.2.2 | 116701734 | Cable - 9.0m Comms | 1 |
| 1.2.3 | 116901720 | Manual - X20 Seedrate | 1 |
| 1.2.4 | 116901679 | Software - X20 Maplink | 1 |
| 1.3 | 116400456 | Actuator Kit - 3 Bin | 1 |
| 1.3.1 | 116101526 | Multi Drive Electronic Control Unit (MDECU) 4 Bin | 1 |
| 1.3.2 | 116900443 | Linear Actuator | 3 |
| 1.3.3 | 116900267 | Sensor Kit - Fan Pressure | 1 |
| 1.3.4 | 116701296 | Cable - Actuator Extension | 1 |
| 1.4 | 116400494 | Sensor Kit - Eagle 3 Bin | 1 |
| 1.4.1 | 116901200 | Sensor - Speed | 4 |
| 1.4.2 | 116900755 | Sensor - Fan | 1 |
| 1.4.3 | 116900442 | Encoder - 8 Magnet | 3 |
| 1.4.4 | 116900667 | Sensor Kit - Bin Level | 3 |
| 2 | 116700464 | Harness - Tractor | 1 |
| 3 | 116700453 | Harness - 4 Bin | 1 |
| 4 | 116700468 | Harness - 10.0m Extension | 1 |
| 5 | 116700467 | Harness - 12.5m Extension | 1 |
| 6 | 109600006 | Air Line | 1 |
| 7 | 290000104 | Sensor Mount Kit - 3 Bin | 1 |

| Key | Part Number | Description | Qty |
|-----|-------------|-------------|-----|
|-----|-------------|-------------|-----|

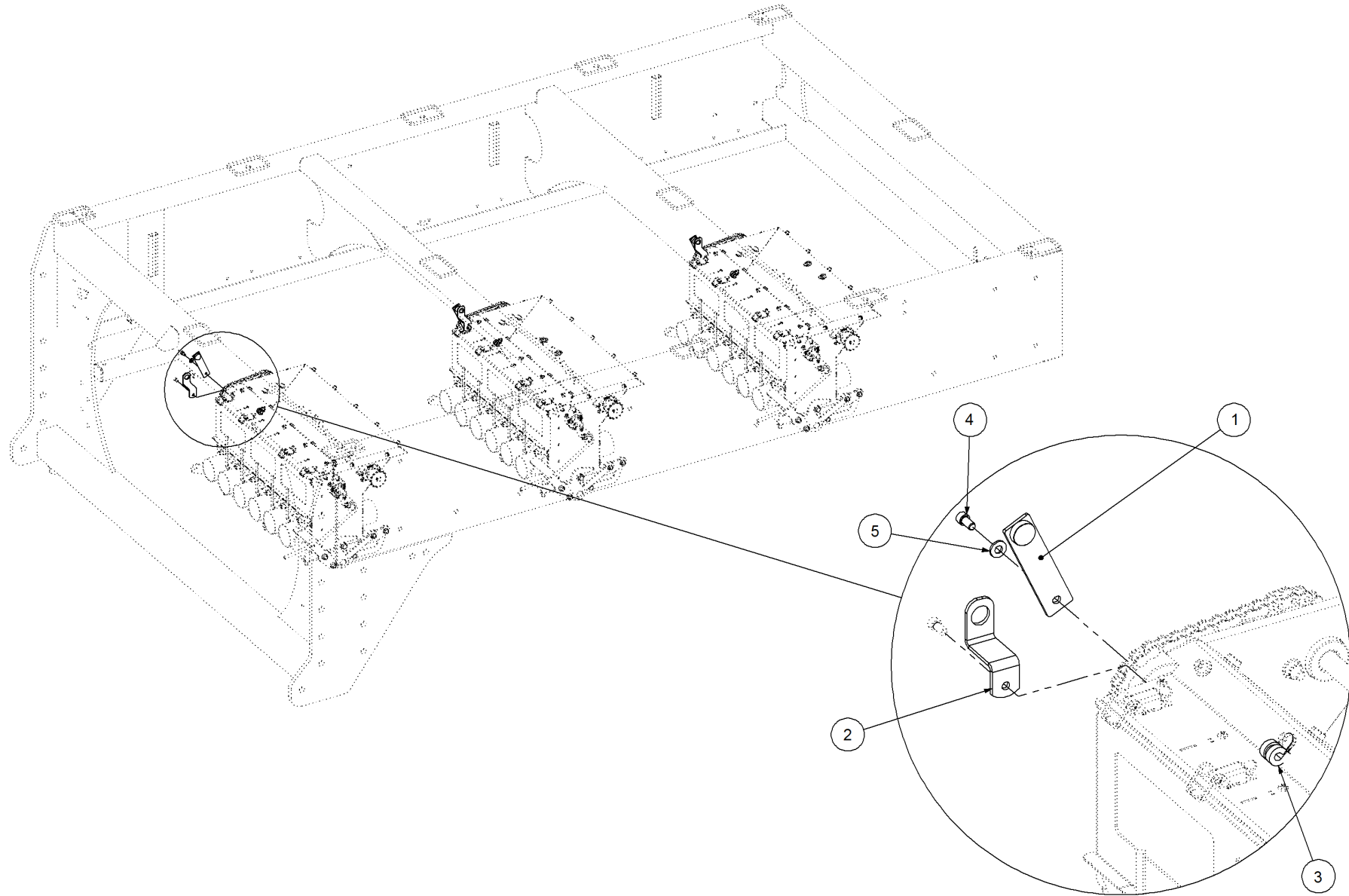




P/N 290000104 Sensor Mount Kit - 3 Bin

| Key | Part Number | Description | Qty |
|-----|-------------|----------------------------|-----|
| 1 | 115001350 | Cable Clamp 10mm | 6 |
| 2 | 290000098 | Speed Sensor Bracket | 3 |
| 3 | 290000101 | Mount Plate - Speed Magnet | 1 |
| 3.1 | 193075004 | Sensor Plate - 3 Magnet | 1 |
| 3.2 | 193075005 | Disc Magnet | 3 |
| 4 | 290000102 | Sensor Mount | 1 |
| 5 | 010106019 | Cap Screw 1/4" UNC x 3/4" | 3 |
| 6 | 086108000 | Spring Washer 8 ID | 1 |
| 7 | 050080208 | Bolt Hex Hd M8 x 20 | 1 |
| 8 | 035106151 | Flat Washer 1/4" ID | 9 |

| Key | Part Number | Description | Qty |
|-----|-------------|-------------|-----|
|-----|-------------|-------------|-----|



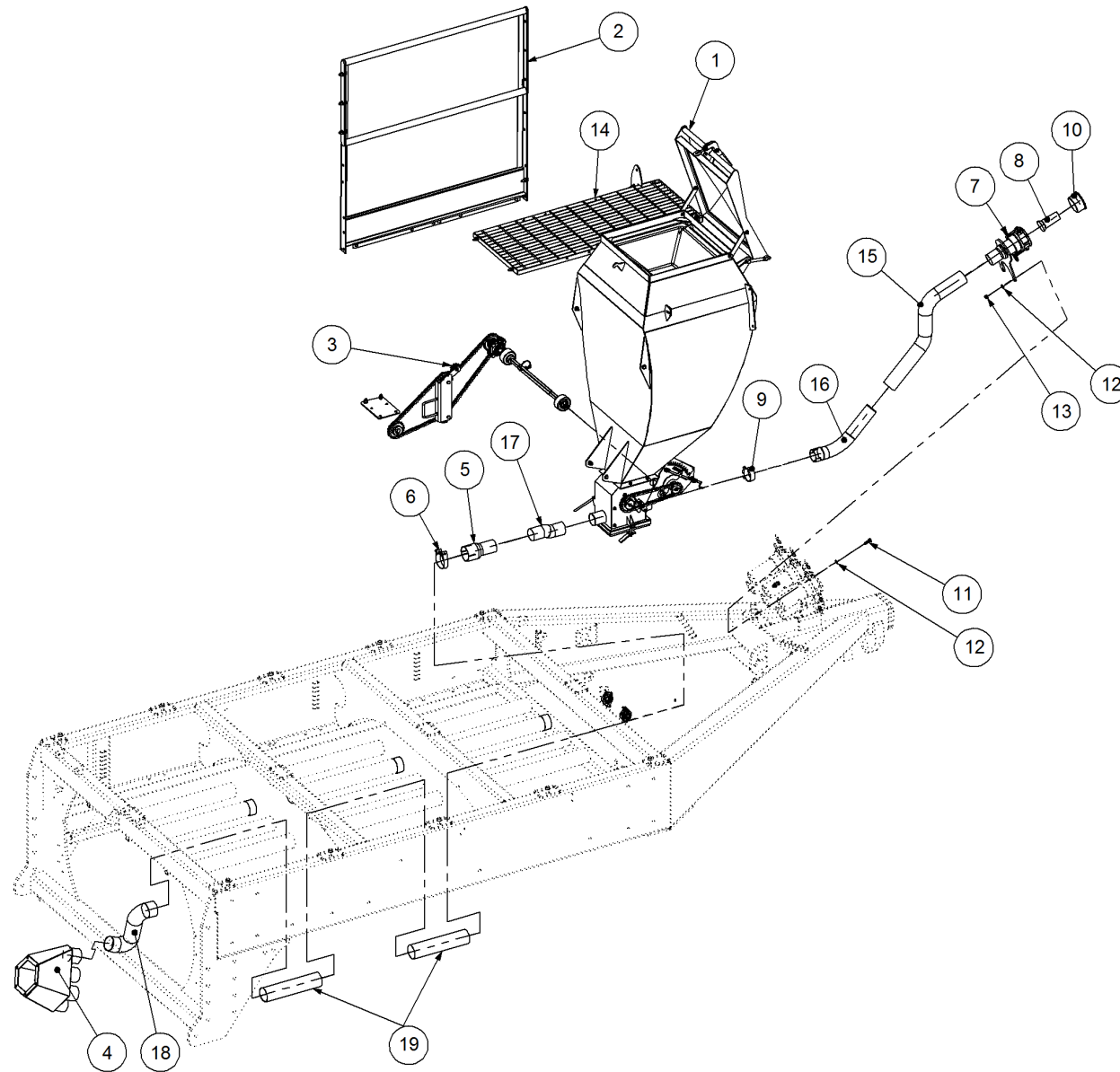


P/N 290000108

Sensor Mount Kit - 3 Bin (Electric)

| Key | Part Number | Description | Qty |
|-----|-------------|-----------------------------|-----|
| 1 | 208400142 | Mount Plate - Single Magnet | 3 |
| 2 | 208400140 | Sensor Bracket - KEE | 3 |
| 3 | 115001350 | Cable Clamp 10mm | 3 |
| 4 | 010106012 | Cap Screw 1/4" UNC x 1/2" | 3 |
| 5 | 035106151 | Flat Washer 1/4" ID | 3 |

| Key | Part Number | Description | Qty |
|-----|-------------|-------------|-----|
|-----|-------------|-------------|-----|

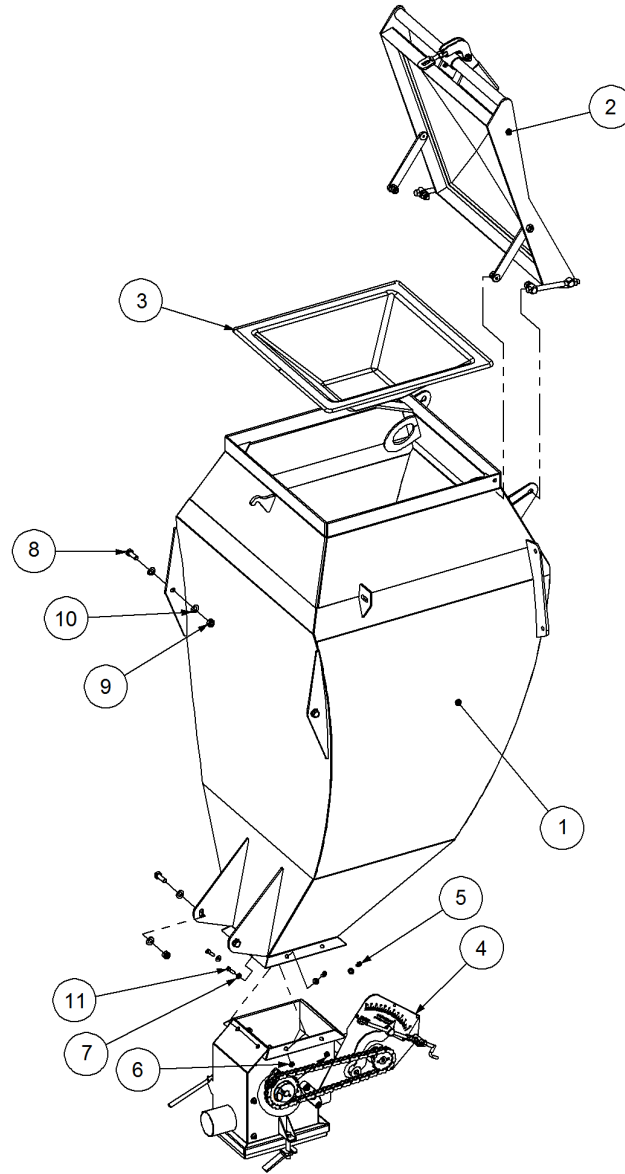




P/N 201300104 SSB Kit - 300L 1 Way Ground Drive

| Key | Part Number | Description | Qty |
|-----|-------------|--|-----|
| 1 | 201300250 | SSB Sub Assembly - 300L 1 Way Ground Drive | 1 |
| 2 | 201300211 | SSB Handrail Kit - 300L | 1 |
| 3 | 290603800 | Drive Kit - SSB 300L TQ/TR Ground Drive | 1 |
| 4 | 259602009 | Blower Outlet - 7 Outlet | 1 |
| 5 | 208000075 | Reducer 3" ID x 2-1/2" OD | 1 |
| 6 | 100074079 | Hose Clamp - Mikalor 74 - 79 | 1 |
| 7 | 214602051 | Breakaway & Coupling Assembly | 1 |
| 8 | 208063044 | Air Restrictor | 1 |
| 9 | 100064067 | Hose Clamp - Mikalor 64 - 67 | 1 |
| 10 | 108000075 | Plug - 3" Female | 1 |
| 11 | 050100308 | Bolt Hex Hd M10 x 30 | 2 |
| 12 | 085110000 | Flat Washer 10 ID | 4 |
| 13 | 080121000 | Nut M10 Nyloc | 2 |
| 14 | 201300216 | SSB Walkway Kit - 300L | 1 |
| 15 | 109600064 | Hose Abrasive Resistant 64 Dia | 1 |
| 16 | 193045212 | Elbow 2-1/2" Dia | 1 |
| 17 | 109200064 | Hose Ductaflex 63 Dia | 1 |
| 18 | 109400076 | Hose Ribbed Bore 76 Dia | 1 |
| 19 | 109400076 | Hose Ribbed Bore 76 Dia | 2 |

| Key | Part Number | Description | Qty |
|-----|-------------|-------------|-----|
|-----|-------------|-------------|-----|

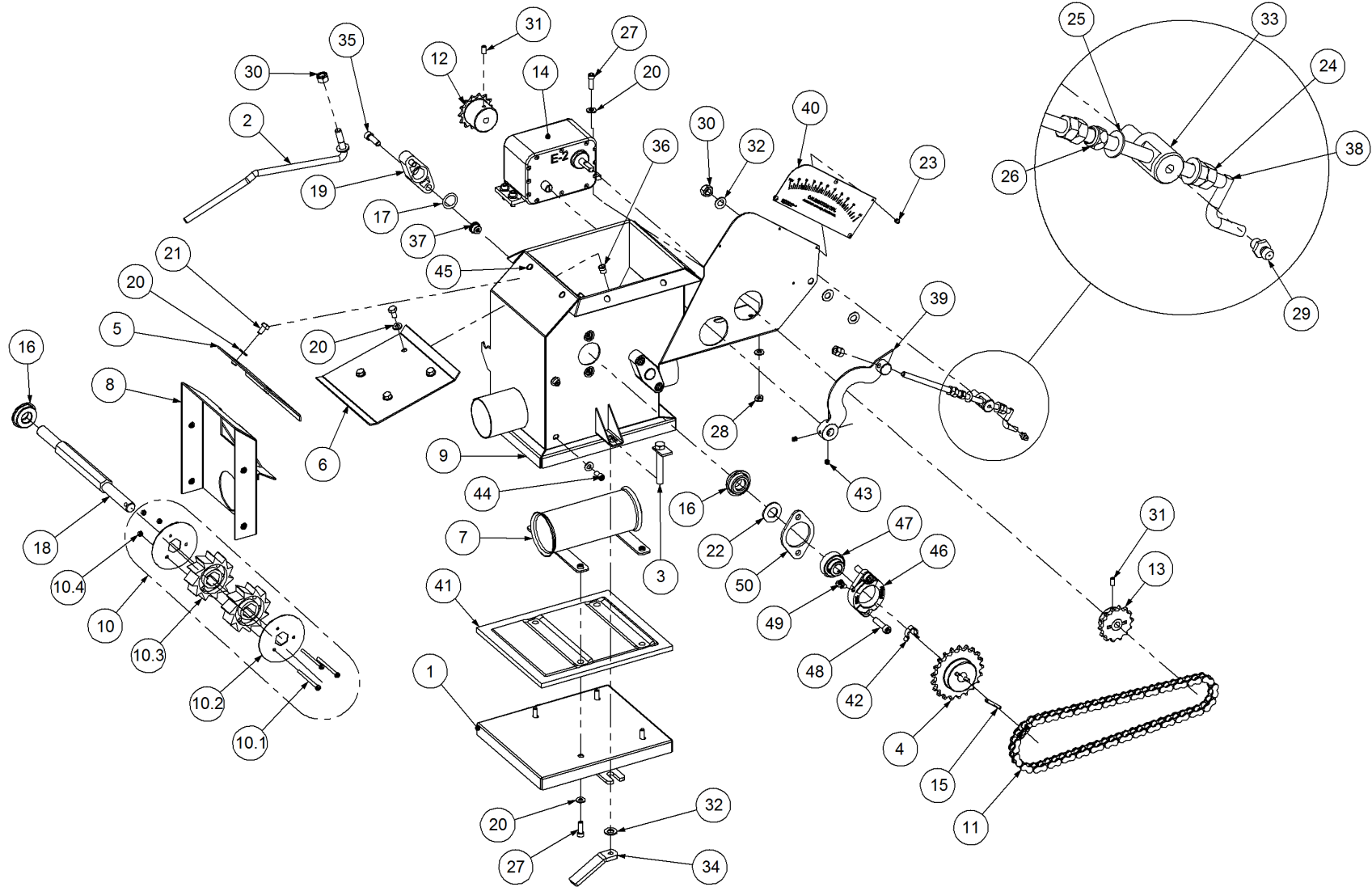




P/N 201300250 SSB Sub Assembly - 300L 1 Way Ground Drive

| Key | Part Number | Description | Qty |
|------------|--------------------|--|------------|
| 1 | 201300001 | Small Seeds Box - 300L | 1 |
| 2 | 203150000 | Lid Assy - Medium | 1 |
| 3 | 203155001 | Wire Basket | 1 |
| 4 | 208102000 | Metering Unit SSB - 1 Way Ground Drive | 1 |
| 5 | 010106012 | Cap Screw 1/4" UNC x 1/2" | 6 |
| 6 | 030110061 | Nut 1/4" UNC | 6 |
| 7 | 035106151 | Flat Washer 1/4" ID | 8 |
| 8 | 050100308 | Bolt Hex Hd M10 x 30 | 4 |
| 9 | 080121000 | Nut M10 Nyloc | 4 |
| 10 | 085110000 | Flat Washer 10 ID | 8 |
| 11 | 010106019 | Cap Screw 1/4" UNC x 3/4" | 2 |

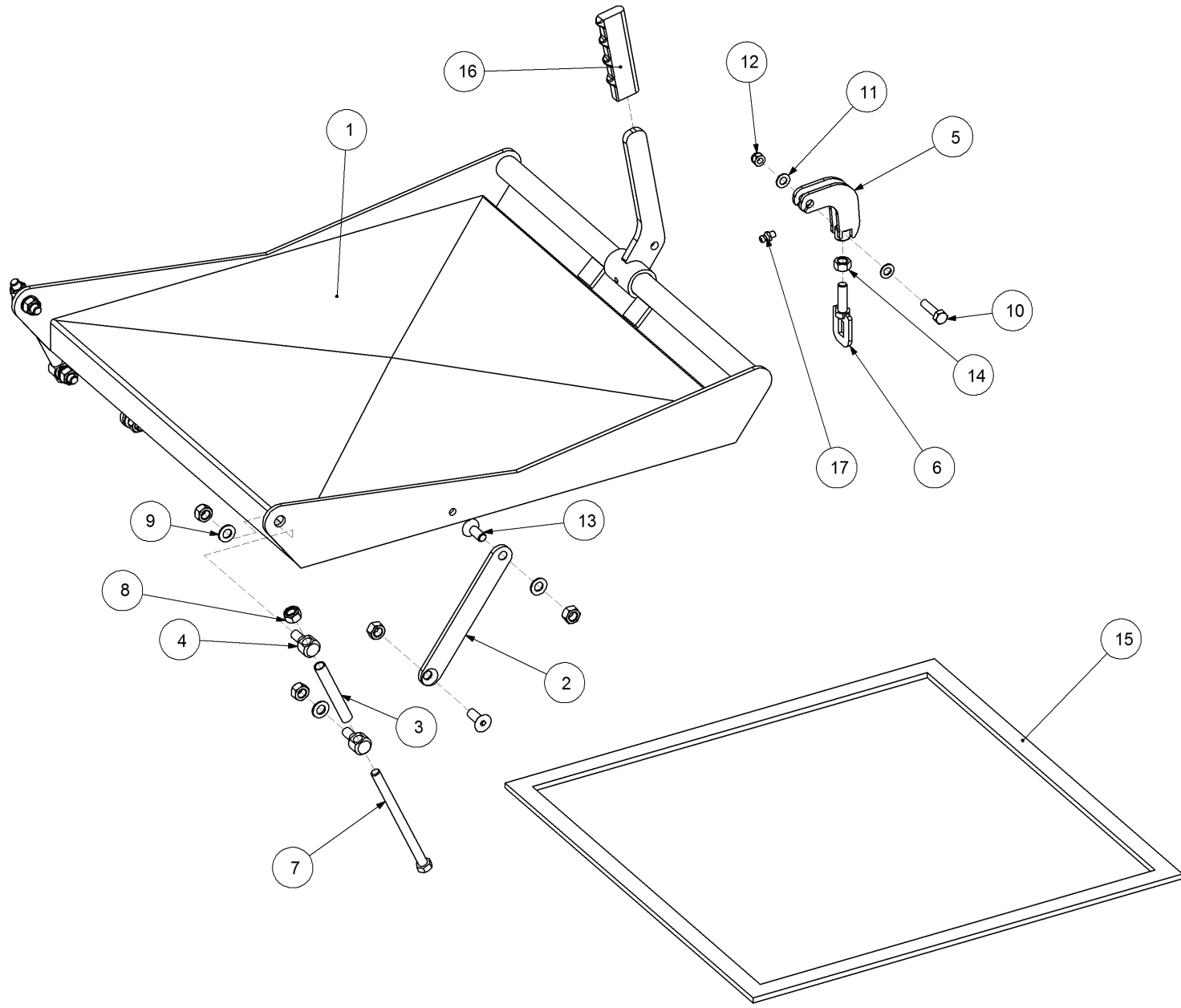
| Key | Part Number | Description | Qty |
|------------|--------------------|--------------------|------------|
|------------|--------------------|--------------------|------------|



P/N 208102000 Metering Unit SSB - 1 Way Ground Drive

| Key | Part Number | Description | Qty | Key | Part Number | Description | Qty |
|------|-------------|--|-----|-----|-------------|--------------------------------|-----|
| 1 | 208100026 | Bottom Door - SSB | 1 | 29 | 111206000 | Grease Nipple 1/4" UNF | 1 |
| 2 | 208100051 | Cleanout Door Handle - SSB | 1 | 30 | 030130101 | Nut 3/8" UNC Nyloc | 2 |
| 3 | 208100061 | Bottom Door Bolt - SSB | 2 | 31 | 013110613 | Grub Screw 1/4" UNC x 1/2" | 2 |
| 4 | 208100095 | Sprocket (Plastic) 1/2" BS x 21T | 1 | 32 | 035110191 | Flat Washer 3/8" ID | 5 |
| 5 | 208100071 | Coarse Seeds Plate - SSB | 1 | 33 | 290601007 | Screw Swivel | 1 |
| 6 | 208100047 | Clean Out Door - SSB | 1 | 34 | 208100060 | Handle - Bottom Door Fastener | 2 |
| 7 | 208100028 | Flow Through Tube | 1 | 35 | 010208025 | Cap Screw 5/16" BSW x 1" | 4 |
| 8 | 208100020 | Port Plate - 1 Way | 1 | 36 | 030170061 | Nut 1/4" UNC Huck | 4 |
| 9 | 208102002 | Metering Unit SSB - 1 Way | 1 | 37 | 030170081 | Nut 5/16" UNC Huck | 8 |
| 10 | 208100092 | Spool Assy - SSB | 1 | 38 | 209600001 | Indicator Adjusting Screw | 1 |
| 10.1 | 059604060 | Bolt Pan Hd M4 x 60 | 3 | 39 | 208102111 | Calibration Indicator - SSB | 1 |
| 10.2 | 193001905 | Spool Washer | 2 | 40 | 192017269 | Calibration Dial | 1 |
| 10.3 | 197018845 | Spool | 2 | 41 | 208100016 | Door Rubber - SSB | 1 |
| 10.4 | 080310041 | Nut M4 S/Steel | 3 | 42 | 193003765 | Retainer Clip - Sprocket | 1 |
| 11 | 208125000 | Chain 1/2" AS Simplex | 1 | 43 | 013110606 | Grub Screw 1/4" UNC x 1/4" | 2 |
| 12 | 290000036 | Sprocket (Plastic) 1/2" BS x 14T - 3/8" ID | 1 | 44 | 010106012 | Cap Screw 1/4" UNC x 1/2" | 4 |
| 13 | 208400167 | Sprocket (Plastic) 1/2" BS x 14T | 1 | 45 | 030170001 | Nut 1/4" UNC Huck | 2 |
| 14 | 130000020 | Zero Max E2 Gear Box | 1 | 46 | 136520300 | Bearing Housing | 2 |
| 15 | 090105032 | Roll Pin 3/16" x 1-1/4" | 1 | 47 | 135320210 | Bearing - 5/8" ID | 2 |
| 16 | 197161687 | Seal 5/8" ID | 2 | 48 | 010208032 | Cap Screw 5/16" BSW x 1-1/4" | 4 |
| 17 | 197192535 | O'Ring 3/4" ID x 1" OD x 0.139" | 2 | 49 | 111206675 | Grease Nipple 1/4" UNF - 67.5° | 2 |
| 18 | 208100100 | Spool Shaft - SSB | 1 | 50 | 197001626 | Gasket (Small) - Bearing | 2 |
| 19 | 137308846 | Bush | 2 | | | | |
| 20 | 035106151 | Flat Washer 1/4" ID | 22 | | | | |
| 21 | 000060135 | Bolt Hex Hd 1/4" UNC x 1/2" | 6 | | | | |
| 22 | 035316320 | Flat Washer 5/8" ID S/Steel | 2 | | | | |
| 23 | 094103001 | Pop Rivet 1/8" Aluminium | 4 | | | | |
| 24 | 030110081 | Nut 5/16" UNC | 6 | | | | |
| 25 | 035108161 | Flat Washer 5/16" ID | 2 | | | | |
| 26 | 030130081 | Nut 5/16" UNC Nyloc | 1 | | | | |
| 27 | 010106019 | Cap Screw 1/4" UNC x 3/4" | 8 | | | | |
| 28 | 030130061 | Nut 1/4" UNC Nyloc | 4 | | | | |

P/N 203150000 Lid Assy - Medium

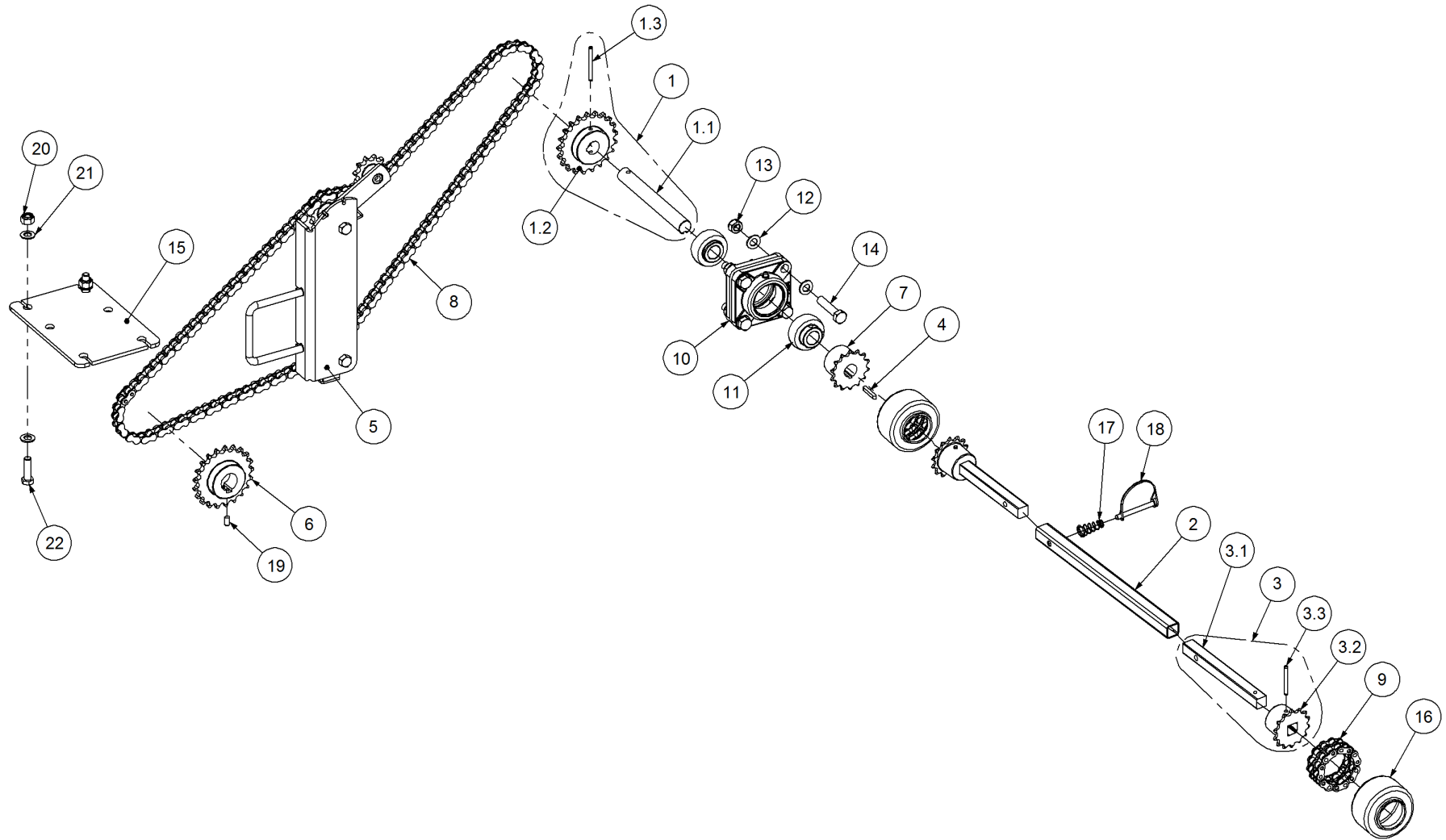




P/N 203150000 Lid Assy - Medium

| Key | Part Number | Description | Qty |
|------------|--------------------|--------------------------------|------------|
| 1 | 203150001 | Lid - Medium | 1 |
| 2 | 203154006 | Lid Tilt Hinge | 2 |
| 3 | 203154004 | Lid Hinge Spacer | 2 |
| 4 | 203154005 | Lid Hinge Swivel | 4 |
| 5 | 203154001 | Lid Latch Toggle | 1 |
| 6 | 203153001 | Lid Latch Loop | 1 |
| 7 | 000101395 | Bolt Hex Hd 3/8" UNC x 5-1/2" | 2 |
| 8 | 030130101 | Nut 3/8" UNC Nyloc | 6 |
| 9 | 035110191 | Flat Washer 3/8" ID | 8 |
| 10 | 000080325 | Bolt Hex Hd 5/16" UNC x 1-1/4" | 1 |
| 11 | 035108161 | Flat Washer 5/16" ID | 2 |
| 12 | 030130081 | Nut 5/16" UNC Nyloc | 1 |
| 13 | 012110025 | Cap Screw Csk Hd 3/8" UNC x 1" | 4 |
| 14 | 030110101 | Nut 3/8" UNC | 5 |
| 15 | 197525265 | Lid Seal - Medium | 1 |
| 16 | 197020115 | Lid Handle Grip | 1 |
| 17 | 111206000 | Grease Nipple 1/4" UNF | 1 |

| Key | Part Number | Description | Qty |
|------------|--------------------|--------------------|------------|
|------------|--------------------|--------------------|------------|



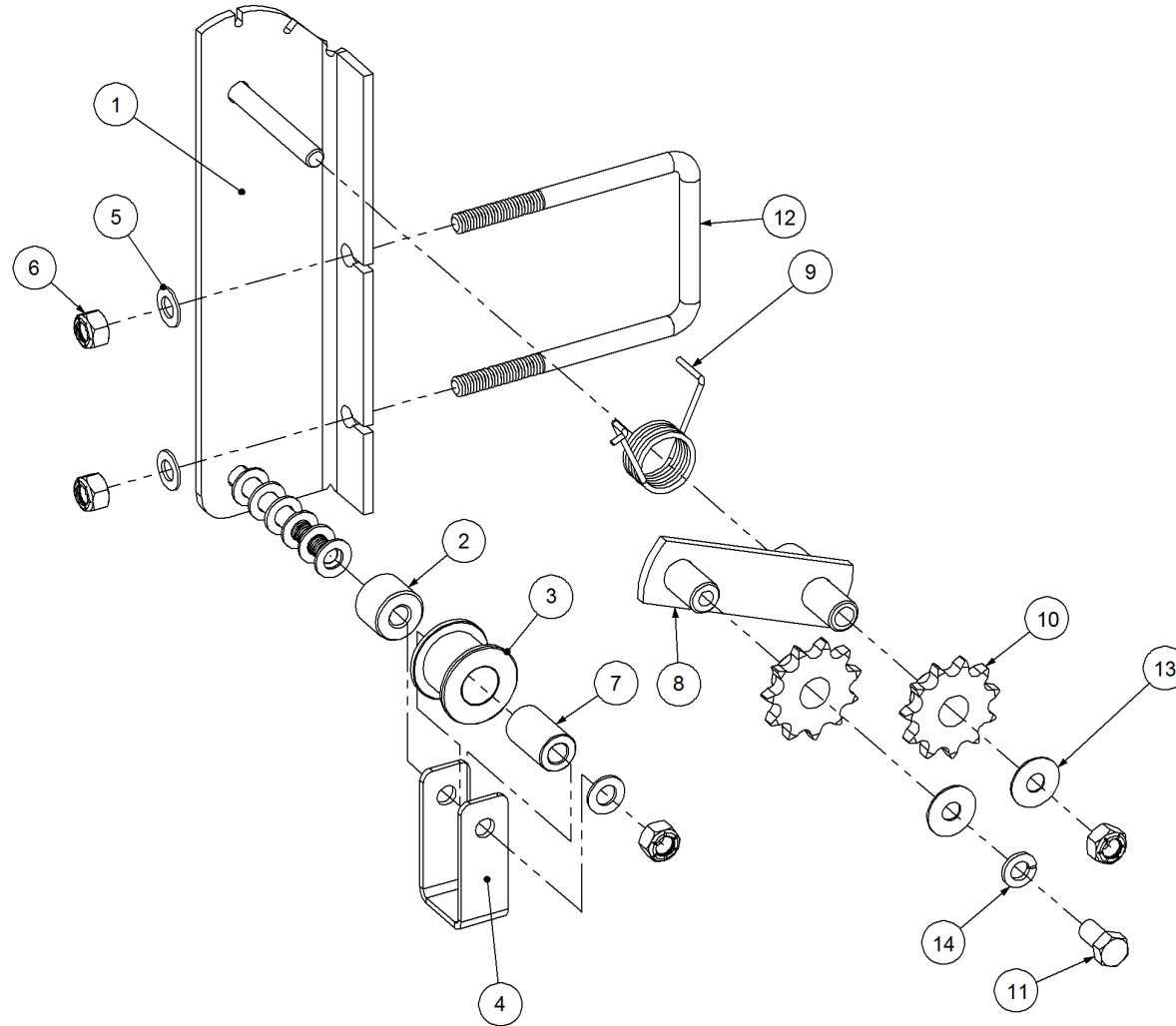


P/N 290603800 Drive Kit - SSB 300L TQ/TR Ground Drive

| Key | Part Number | Description | Qty |
|-----|-------------|--|-----|
| 1 | 290602070 | Drive Shaft & Sprocket - SSB | 1 |
| 1.1 | 290602073 | Drive Shaft - SSB | 1 |
| 1.2 | 290602074 | Sprocket (Plastic) 1/2" BS x 21T | 1 |
| 1.3 | 090105050 | Roll Pin 3/16" x 2" | 1 |
| 2 | 290452075 | Drive Tube | 1 |
| 3 | 290000011 | Drive Shaft w/- Sprocket | 2 |
| 3.1 | 290000012 | Drive Shaft | 2 |
| 3.2 | 126131406 | Sprocket (Plastic) 1/2" BS x 14T - 16 Sq | 2 |
| 3.3 | 090105044 | Roll Pin 3/16" x 1-3/4" | 2 |
| 4 | 182047430 | Key 4.75 x 4.75 x 30mm | 1 |
| 5 | 290000021 | Tensioner Assembly - SSB | 1 |
| 6 | 290000115 | Sprocket (Plastic) 1/2" BS x 21T | 1 |
| 7 | 290000031 | Sprocket (Plastic) 1/2" BS x 14T - 3/4" ID | 1 |
| 8 | 290603899 | Chain 1/2" BS Simplex | 1 |
| 9 | 125412120 | Chain 1/2" BS Duplex 13L | 2 |
| 10 | 136620401 | Bearing Housing | 2 |
| 11 | 135420412 | Bearing - 3/4" ID | 2 |
| 12 | 085110000 | Flat Washer 10 ID | 8 |
| 13 | 080121000 | Nut M10 Nyloc | 4 |
| 14 | 050100508 | Bolt Hex Hd M10 x 50 | 4 |
| 15 | 290600065 | Relocation Plate - T Box | 1 |
| 16 | 131000004 | Chain Boot | 2 |
| 17 | 124112032 | Spring - Compression | 1 |
| 18 | 095306050 | Lynch Pin 1/4" | 1 |
| 19 | 013110613 | Grub Screw 1/4" UNC x 1/2" | 2 |
| 20 | 030130101 | Nut 3/8" UNC Nyloc | 2 |
| 21 | 035110191 | Flat Washer 3/8" ID | 4 |
| 22 | 000100325 | Bolt Hex Hd 3/8" UNC x 1-1/4" | 2 |

| Key | Part Number | Description | Qty |
|-----|-------------|-------------|-----|
|-----|-------------|-------------|-----|

P/N 29000021 Tensioner Assembly - SSB



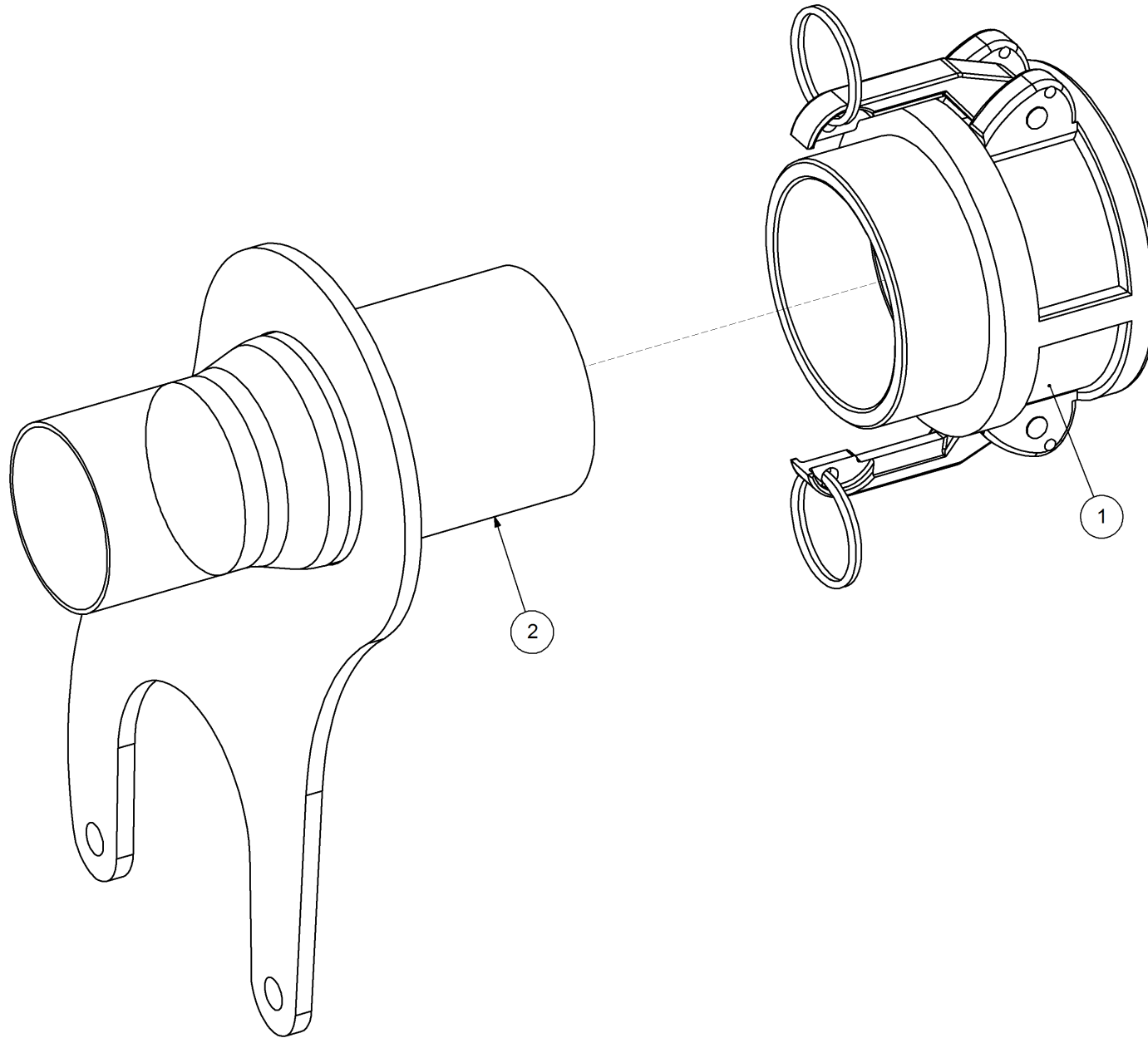


P/N 290000021

Tensioner Assembly - SSB

| Key | Part Number | Description | Qty |
|-----|-------------|--|-----|
| 1 | 290000022 | Tensioner Bracket | 1 |
| 2 | 290302077 | Spacer | 1 |
| 3 | 290000024 | Chain Idler | 1 |
| 4 | 290000023 | Chain Guide | 1 |
| 5 | 035110191 | Flat Washer 3/8" ID | 9 |
| 6 | 030130101 | Nut 3/8" UNC Nyloc | 4 |
| 7 | 290000025 | Spacer | 1 |
| 8 | 290000026 | Tensioner Arm | 1 |
| 9 | 124325081 | Spring - Torsion 1" ID - LH | 1 |
| 10 | 126131100 | Sprocket (Steel) 1/2" BS x 11T - 16 ID | 2 |
| 11 | 000100205 | Bolt Hex Hd 3/8" UNC x 3/4" | 1 |
| 12 | 020075075 | U Bolt 3/8" X 3" X 3" UNC Zp | 1 |
| 13 | 035110251 | Flat Washer 3/8" ID | 2 |
| 14 | 036110000 | Spring Washer 3/8" ID | 1 |

| Key | Part Number | Description | Qty |
|-----|-------------|-------------|-----|
|-----|-------------|-------------|-----|



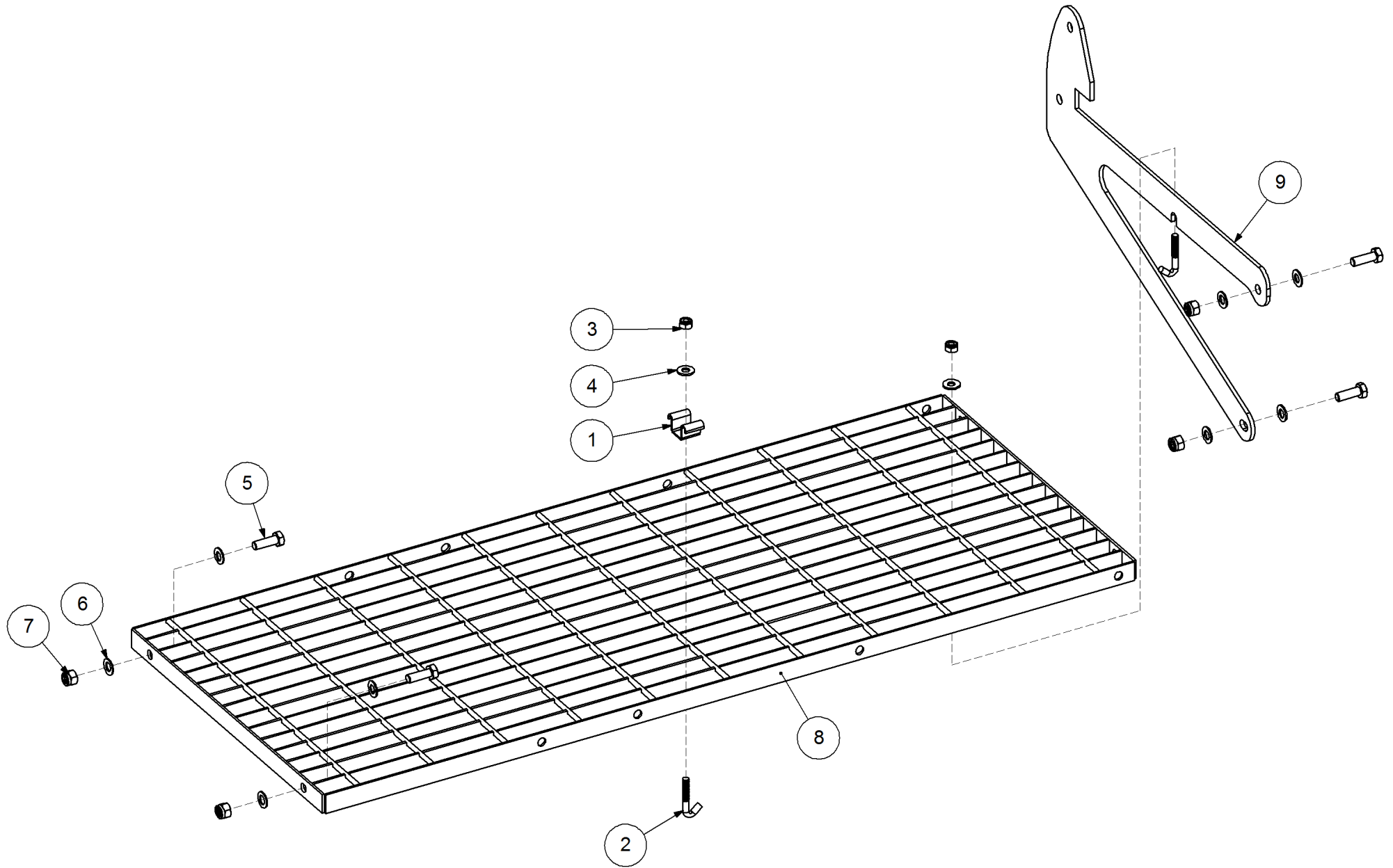


P/N 214602051

Breakaway & Coupling Assembly

| Key | Part Number | Description | Qty |
|-----|-------------|------------------------|-----|
| 1 | 108000176 | Coupling - 3" Female | 1 |
| 2 | 214602052 | Camloc Breakaway - SSB | 1 |

| Key | Part Number | Description | Qty |
|-----|-------------|-------------|-----|
|-----|-------------|-------------|-----|

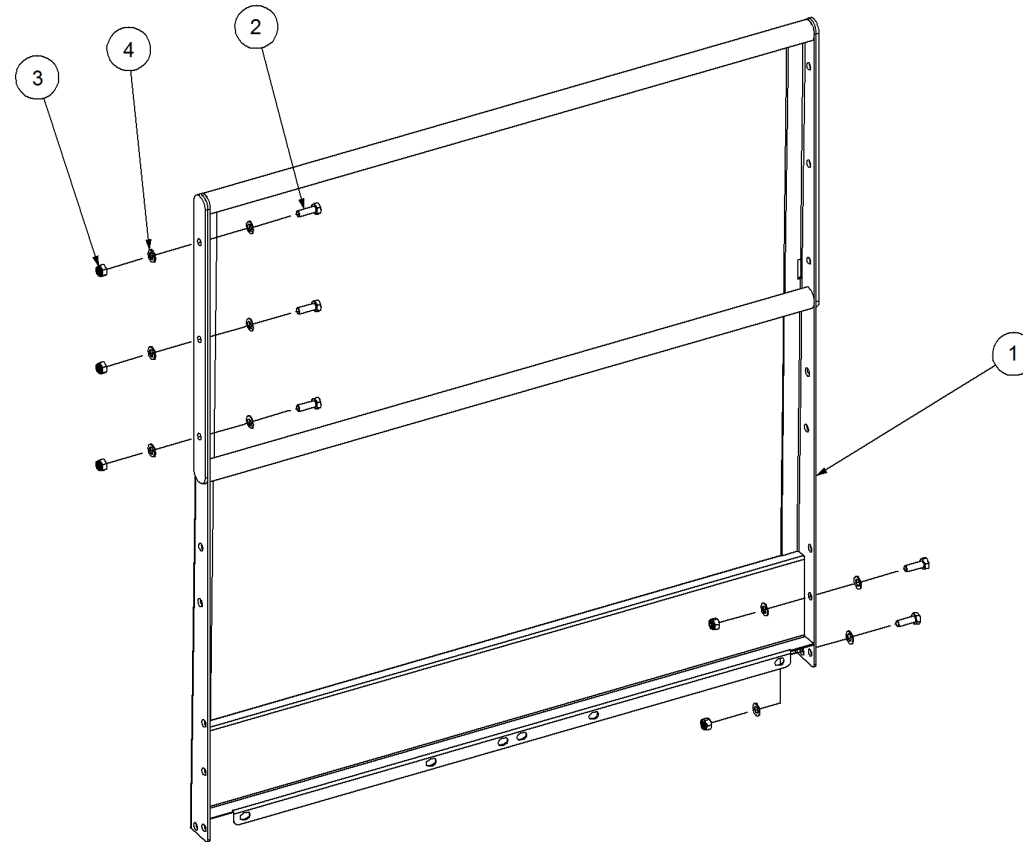




P/N 201300216 SSB Walkway Kit - 300L

| Key | Part Number | Description | Qty |
|-----|-------------|----------------------|-----|
| 1 | 204300003 | Fixing Clip | 1 |
| 2 | 057080000 | J Bolt M8 | 2 |
| 3 | 080120800 | Nut M8 Nyloc | 2 |
| 4 | 085108000 | Flat Washer 8 ID | 2 |
| 5 | 050100308 | Bolt Hex Hd M10 x 30 | 4 |
| 6 | 085110000 | Flat Washer 10 ID | 8 |
| 7 | 080121000 | Nut M10 Nyloc | 4 |
| 8 | 193453110 | Walkway Panel | 1 |
| 9 | 201300012 | Walkway Bracket | 1 |

| Key | Part Number | Description | Qty |
|-----|-------------|-------------|-----|
|-----|-------------|-------------|-----|

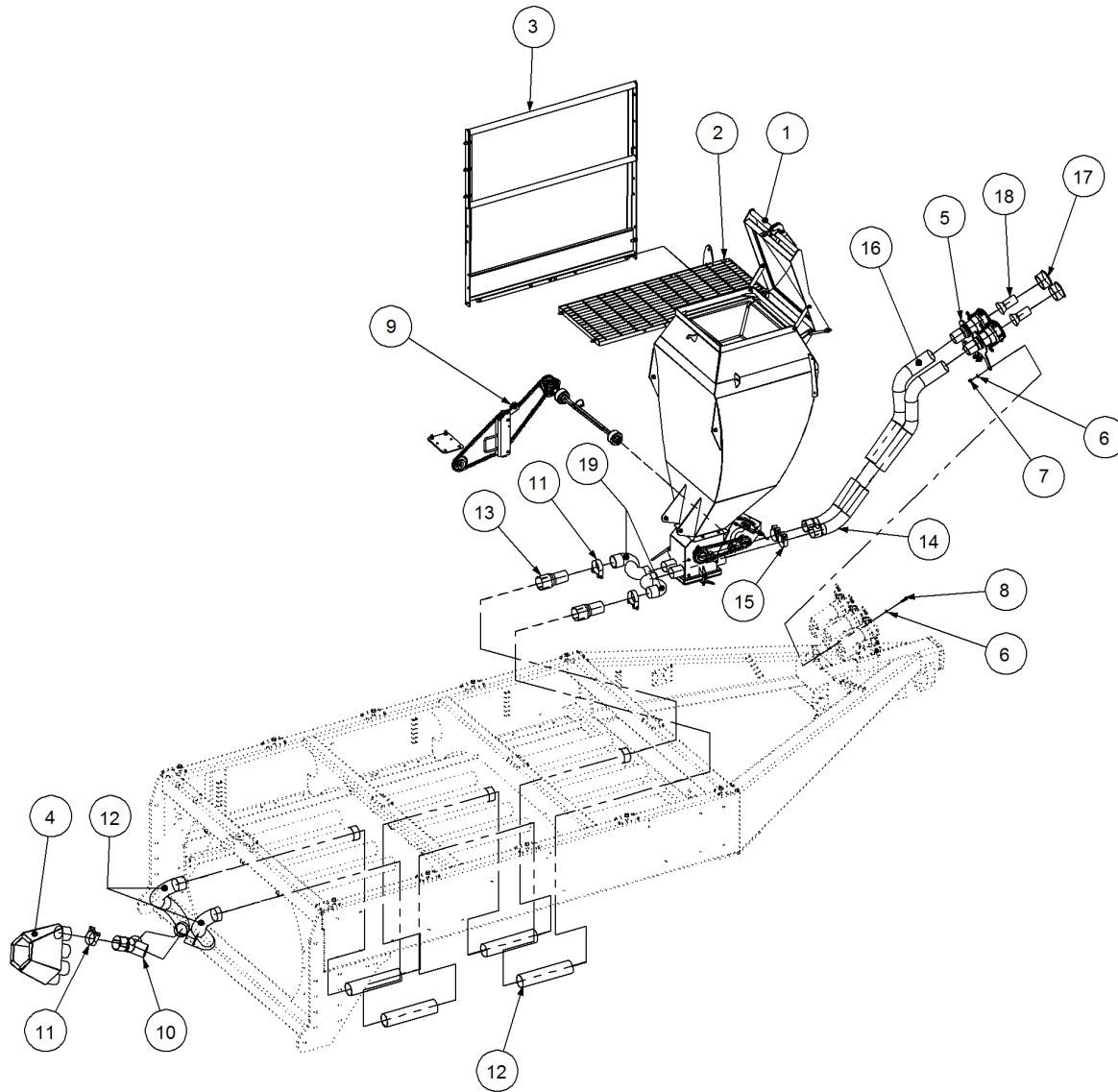




P/N 201300211 SSB Handrail Kit - 300L

| Key | Part Number | Description | Qty |
|------------|--------------------|----------------------|------------|
| 1 | 206602086 | Handrail | 1 |
| 2 | 050100308 | Bolt Hex Hd M10 x 30 | 5 |
| 3 | 080121000 | Nut M10 Nyloc | 5 |
| 4 | 085110000 | Flat Washer 10 ID | 10 |

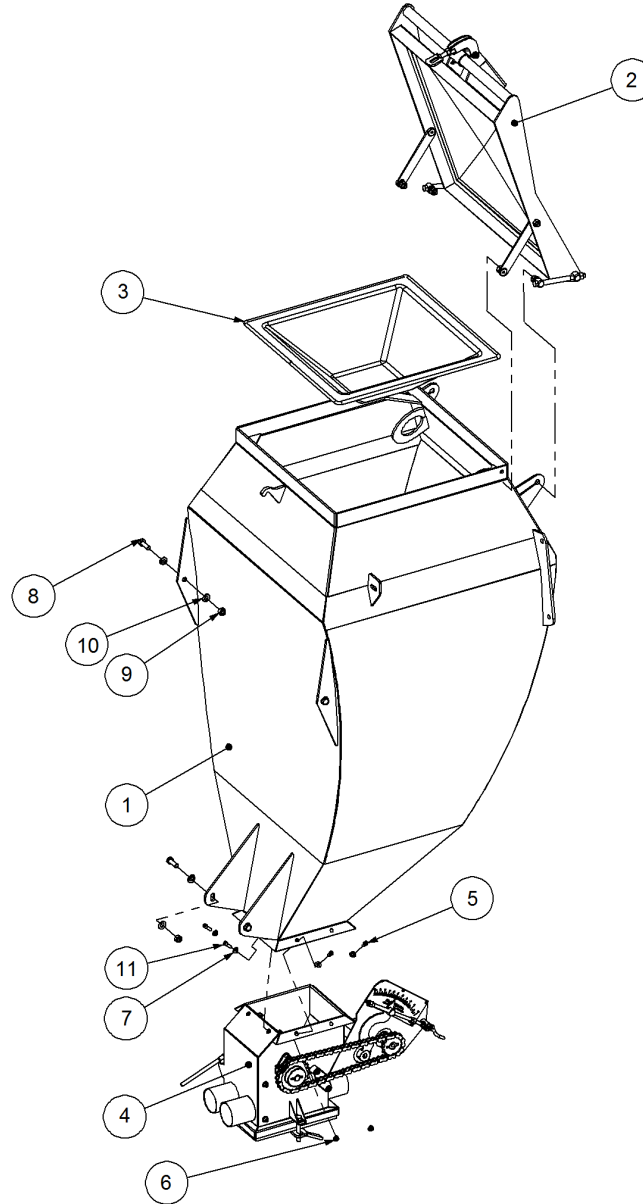
| Key | Part Number | Description | Qty |
|------------|--------------------|--------------------|------------|
|------------|--------------------|--------------------|------------|





P/N 201300105 SSB Kit - 300L 2 Way Ground Drive

| Key | Part Number | Description | Qty | Key | Part Number | Description | Qty |
|-----|-------------|--|-----|-----|-------------|-------------|-----|
| 1 | 201300252 | SSB Sub Assembly - 300L 2 Way Ground Drive | 1 | | | | |
| 2 | 201300216 | SSB Walkway Kit - 300L | 1 | | | | |
| 3 | 201300211 | SSB Handrail Kit - 300L | 1 | | | | |
| 4 | 259602009 | Blower Outlet - 7 Outlet | 1 | | | | |
| 5 | 214602051 | Breakaway & Coupling Assembly | 2 | | | | |
| 6 | 085110000 | Flat Washer 10 ID | 8 | | | | |
| 7 | 080121000 | Nut M10 Nyloc | 4 | | | | |
| 8 | 050100308 | Bolt Hex Hd M10 x 30 | 4 | | | | |
| 9 | 290603800 | Drive Kit - SSB 300L TQ/TR Ground Drive | 1 | | | | |
| 10 | 208090300 | Y Piece 3" ID | 1 | | | | |
| 11 | 100074079 | Hose Clamp - Mikalor 74 - 79 | 3 | | | | |
| 12 | 109400076 | Hose Ribbed Bore 76 Dia | 5 | | | | |
| 13 | 208000075 | Reducer 3" ID x 2-1/2" OD | 2 | | | | |
| 14 | 193045212 | Elbow 2-1/2" Dia | 2 | | | | |
| 15 | 100064067 | Hose Clamp - Mikalor 64 - 67 | 2 | | | | |
| 16 | 109600064 | Hose Abrasive Resistant 64 Dia | 2 | | | | |
| 17 | 108000075 | Plug - 3" Female | 2 | | | | |
| 18 | 208063044 | Air Restrictor | 2 | | | | |
| 19 | 109200064 | Hose Ductaflex 63 Dia | 1 | | | | |

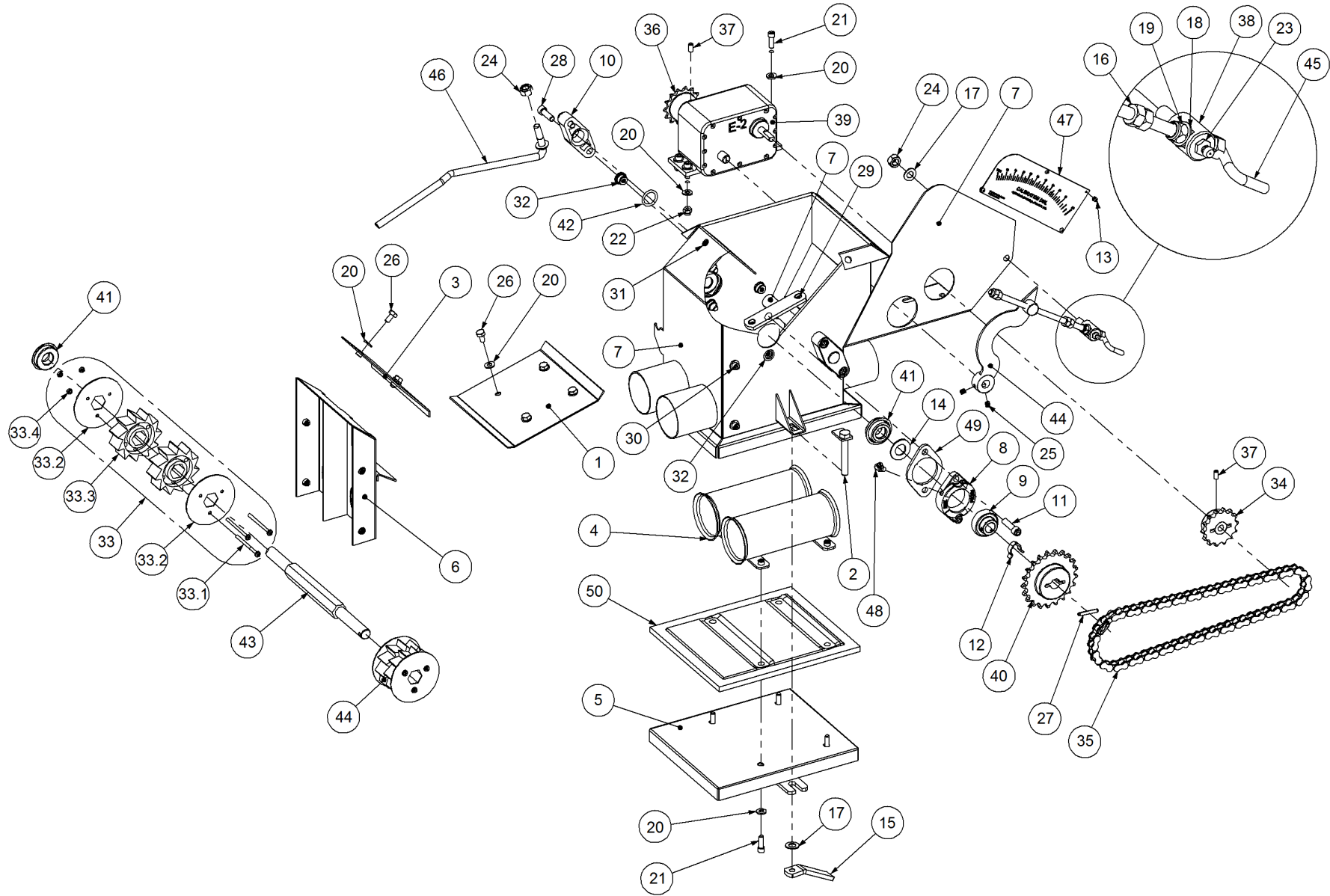




P/N 201300252 SSB Sub Assembly - 300L 2 Way Ground Drive

| Key | Part Number | Description | Qty |
|------------|--------------------|--|------------|
| 1 | 201300001 | Small Seeds Box - 300L | 1 |
| 2 | 203150000 | Lid Assy - Medium | 1 |
| 3 | 203155001 | Wire Basket | 1 |
| 4 | 208202000 | Metering Unit SSB - 2 Way Ground Drive | 1 |
| 5 | 010106012 | Cap Screw 1/4" UNC x 1/2" | 6 |
| 6 | 030110061 | Nut 1/4" UNC | 6 |
| 7 | 035106151 | Flat Washer 1/4" ID | 8 |
| 8 | 050100308 | Bolt Hex Hd M10 x 30 | 4 |
| 9 | 080121000 | Nut M10 Nyloc | 4 |
| 10 | 085110000 | Flat Washer 10 ID | 8 |
| 11 | 010106019 | Cap Screw 1/4" UNC x 3/4" | 2 |

| Key | Part Number | Description | Qty |
|------------|--------------------|--------------------|------------|
|------------|--------------------|--------------------|------------|

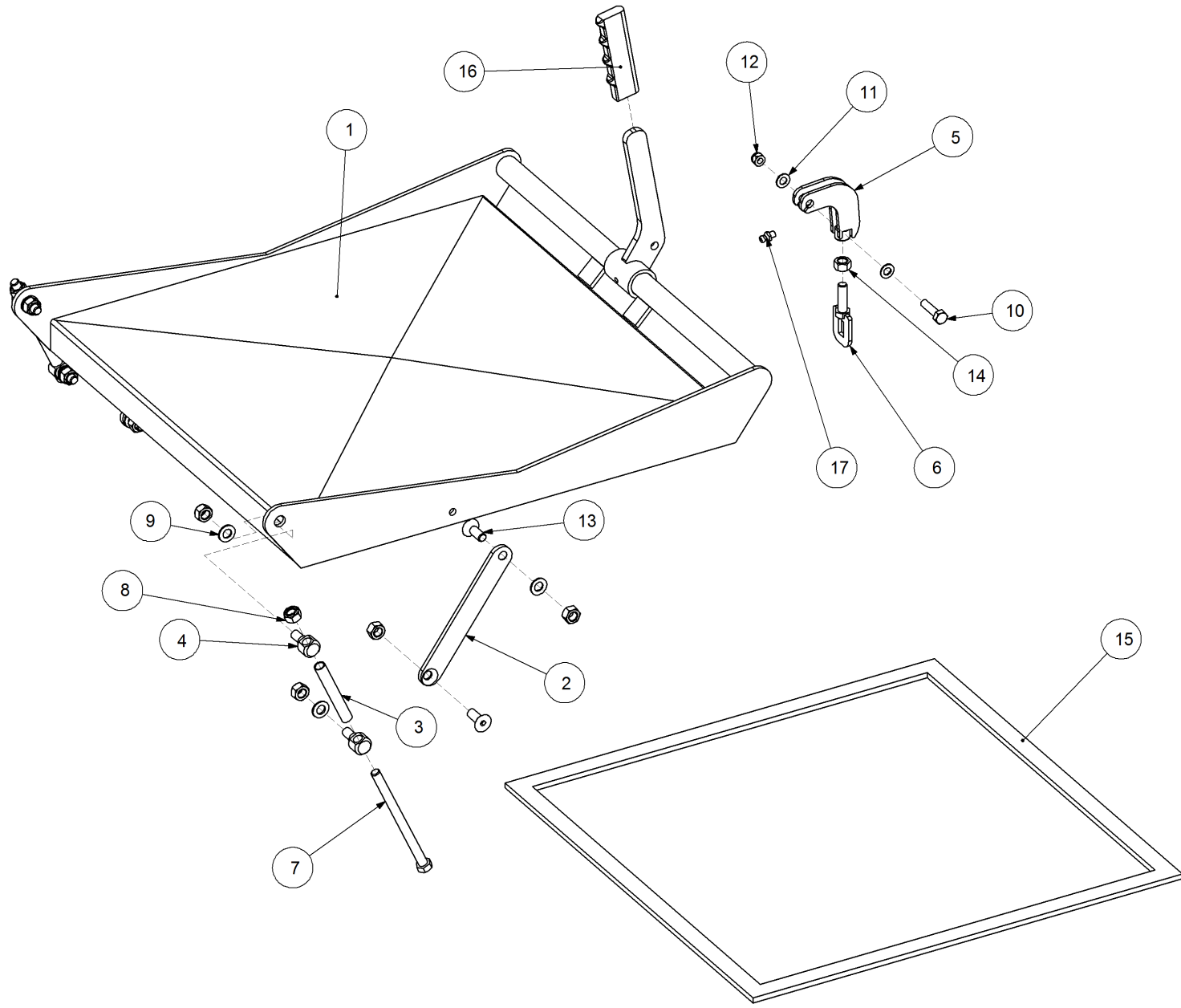




P/N 208202000 Metering Unit SSB - 2 Way Ground Drive

| Key | Part Number | Description | Qty | Key | Part Number | Description | Qty |
|-----|-------------|-------------------------------|-----|------|-------------|--|-----|
| 1 | 208100047 | Clean Out Door - SSB | 1 | 33 | 208100092 | Spool Assy - SSB | 2 |
| 2 | 208100061 | Bottom Door Bolt - SSB | 2 | 33.1 | 059604060 | Bolt Pan Hd M4 x 60 | 3 |
| 3 | 208100071 | Coarse Seeds Plate - SSB | 1 | 33.2 | 193001905 | Spool Washer | 2 |
| 4 | 208200031 | Flow Through Tube - 2 Way | 1 | 33.3 | 197018845 | Spool | 2 |
| 5 | 208100026 | Bottom Door - SSB | 1 | 33.4 | 080310041 | Nut M4 S/Steel | 3 |
| 6 | 208200020 | Port Plate - 2 Way | 1 | 34 | 208400167 | Sprocket (Plastic) 1/2" BS x 14T | 1 |
| 7 | 208202002 | Metering Unit SSB - 2 Way | 1 | 35 | 208125000 | Chain 1/2" AS Simplex | 1 |
| 8 | 136520300 | Bearing Housing | 2 | 36 | 290000036 | Sprocket (Plastic) 1/2" BS x 14T - 3/8" ID | 1 |
| 9 | 135320210 | Bearing - 5/8" ID | 2 | 37 | 013110613 | Grub Screw 1/4" UNC x 1/2" | 2 |
| 10 | 137308846 | Bush | 2 | 38 | 290601007 | Screw Swivel | 1 |
| 11 | 010208032 | Cap Screw 5/16" BSW x 1-1/4" | 4 | 39 | 130000020 | Zero Max E2 Gear Box | 1 |
| 12 | 193003765 | Retainer Clip - Sprocket | 1 | 40 | 208100095 | Sprocket (Plastic) 1/2" BS x 21T | 1 |
| 13 | 094103001 | Pop Rivet 1/8" Aluminium | 4 | 41 | 197161687 | Seal 5/8" ID | 2 |
| 14 | 035316320 | Flat Washer 5/8" ID S/Steel | 2 | 42 | 197192535 | O'Ring 3/4" ID x 1" OD x 0.139" | 2 |
| 15 | 208100060 | Handle - Bottom Door Fastener | 2 | 43 | 208100100 | Spool Shaft - SSB | 1 |
| 16 | 030110081 | Nut 5/16" UNC | 6 | 44 | 208102111 | Calibration Indicator - SSB | 1 |
| 17 | 035110191 | Flat Washer 3/8" ID | 3 | 45 | 209600001 | Indicator Adjusting Screw | 1 |
| 18 | 035108161 | Flat Washer 5/16" ID | 2 | 46 | 208100051 | Cleanout Door Handle - SSB | 1 |
| 19 | 030130081 | Nut 5/16" UNC Nyloc | 1 | 47 | 192017269 | Calibration Dial | 1 |
| 20 | 035106151 | Flat Washer 1/4" ID | 22 | 48 | 111206675 | Grease Nipple 1/4" UNF - 67.5° | 2 |
| 21 | 010106019 | Cap Screw 1/4" UNC x 3/4" | 8 | 49 | 197001626 | Gasket (Small) - Bearing | 2 |
| 22 | 030130061 | Nut 1/4" UNC Nyloc | 4 | 50 | 208100016 | Door Rubber - SSB | 1 |
| 23 | 111206000 | Grease Nipple 1/4" UNF | 1 | | | | |
| 24 | 030130101 | Nut 3/8" UNC Nyloc | 2 | | | | |
| 25 | 013110606 | Grub Screw 1/4" UNC x 1/4" | 2 | | | | |
| 26 | 000060135 | Bolt Hex Hd 1/4" UNC x 1/2" | 6 | | | | |
| 27 | 090105032 | Roll Pin 3/16" x 1-1/4" | 1 | | | | |
| 28 | 010208025 | Cap Screw 5/16" BSW x 1" | 4 | | | | |
| 29 | 030170061 | Nut 1/4" UNC Huck | 4 | | | | |
| 30 | 010106012 | Cap Screw 1/4" UNC x 1/2" | 4 | | | | |
| 31 | 030170001 | Nut 1/4" UNC Huck | 2 | | | | |
| 32 | 030170081 | Nut 5/16" UNC Huck | 8 | | | | |

P/N 203150000 Lid Assy - Medium

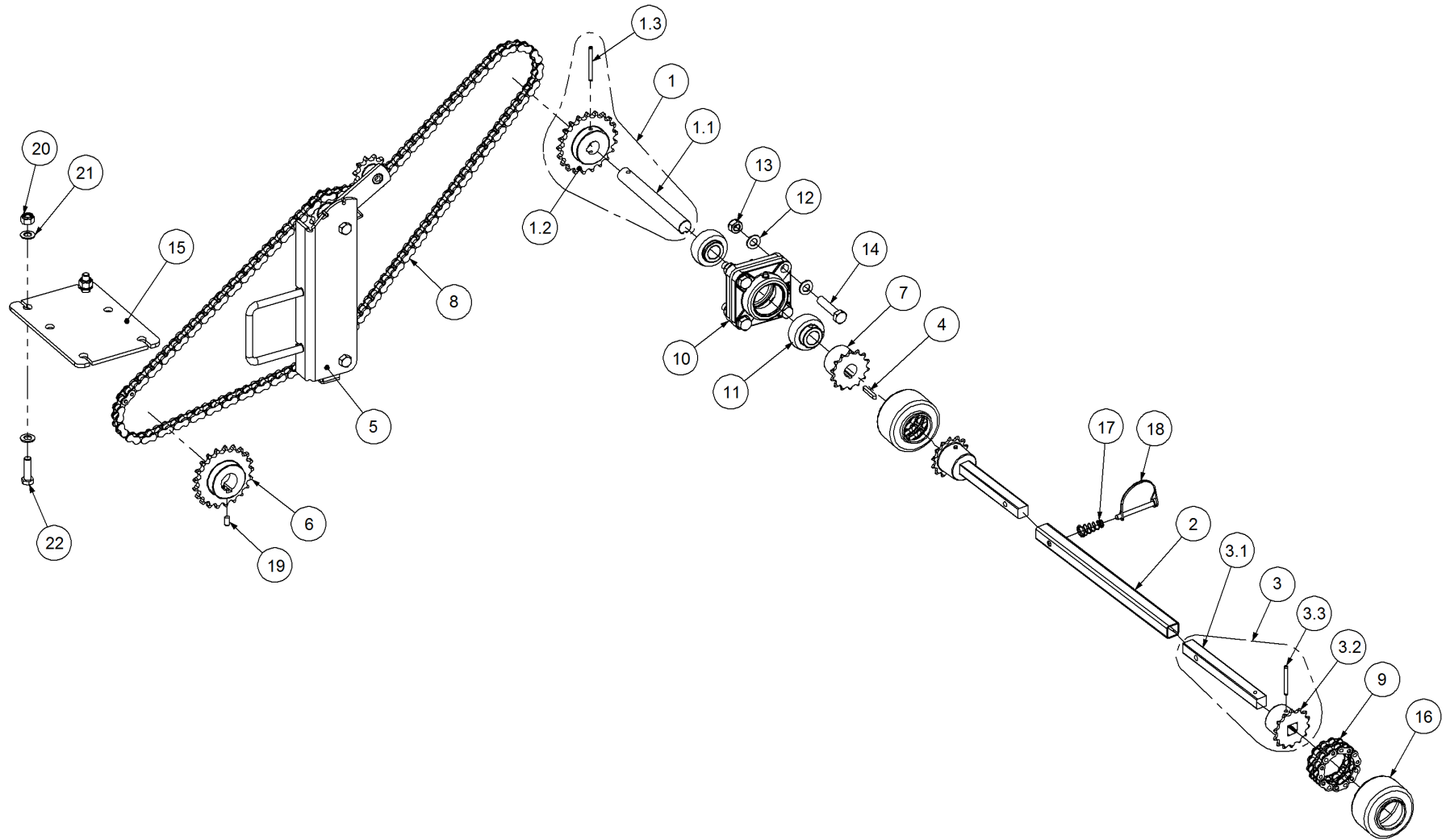




P/N 203150000 Lid Assy - Medium

| Key | Part Number | Description | Qty |
|-----|-------------|--------------------------------|-----|
| 1 | 203150001 | Lid - Medium | 1 |
| 2 | 203154006 | Lid Tilt Hinge | 2 |
| 3 | 203154004 | Lid Hinge Spacer | 2 |
| 4 | 203154005 | Lid Hinge Swivel | 4 |
| 5 | 203154001 | Lid Latch Toggle | 1 |
| 6 | 203153001 | Lid Latch Loop | 1 |
| 7 | 000101395 | Bolt Hex Hd 3/8" UNC x 5-1/2" | 2 |
| 8 | 030130101 | Nut 3/8" UNC Nyloc | 6 |
| 9 | 035110191 | Flat Washer 3/8" ID | 8 |
| 10 | 000080325 | Bolt Hex Hd 5/16" UNC x 1-1/4" | 1 |
| 11 | 035108161 | Flat Washer 5/16" ID | 2 |
| 12 | 030130081 | Nut 5/16" UNC Nyloc | 1 |
| 13 | 012110025 | Cap Screw Csk Hd 3/8" UNC x 1" | 4 |
| 14 | 030110101 | Nut 3/8" UNC | 5 |
| 15 | 197525265 | Lid Seal - Medium | 1 |
| 16 | 197020115 | Lid Handle Grip | 1 |
| 17 | 111206000 | Grease Nipple 1/4" UNF | 1 |

| Key | Part Number | Description | Qty |
|-----|-------------|-------------|-----|
|-----|-------------|-------------|-----|



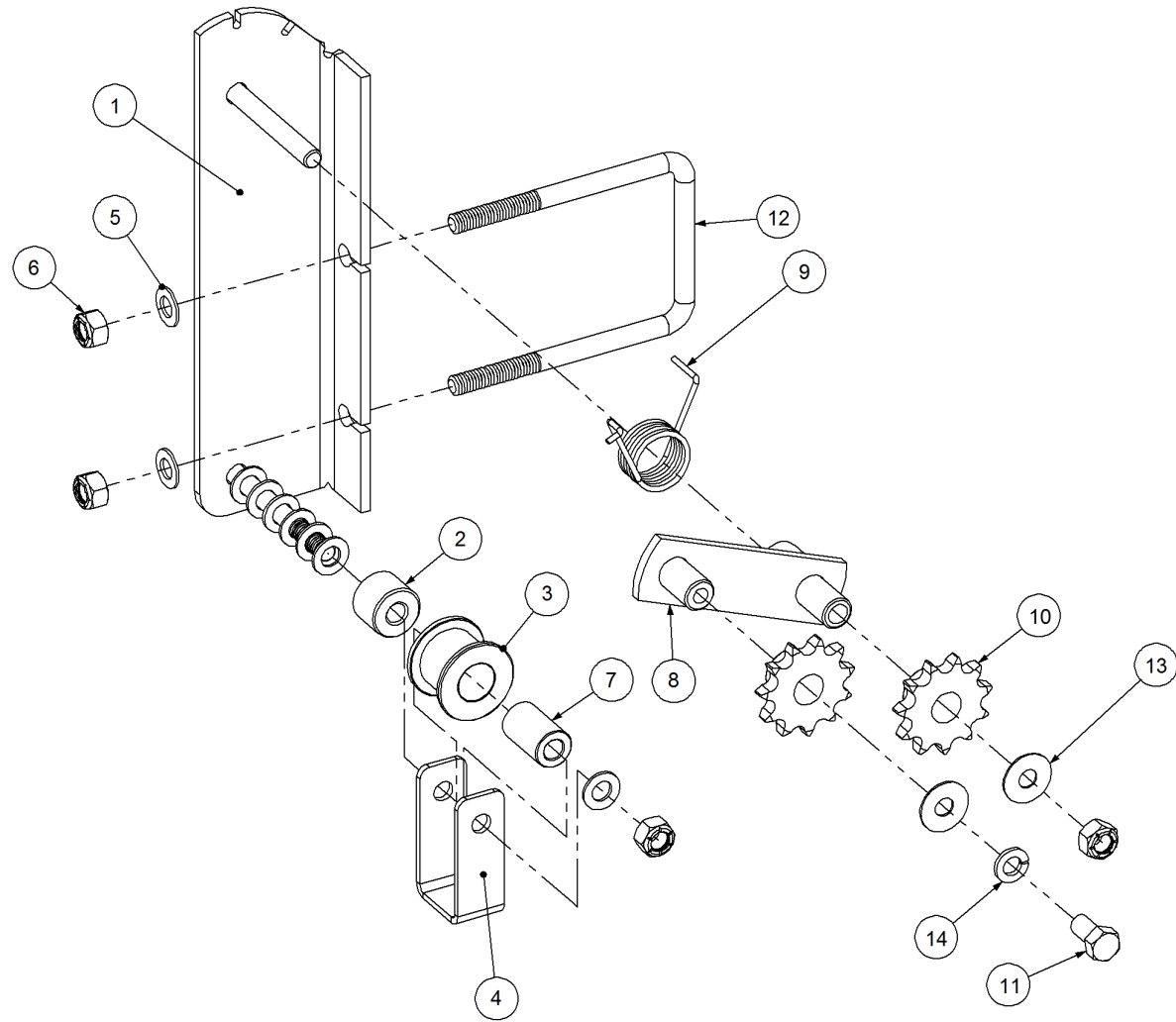


P/N 290603800 Drive Kit - SSB 300L TQ/TR Ground Drive

| Key | Part Number | Description | Qty |
|-----|-------------|--|-----|
| 1 | 290602070 | Drive Shaft & Sprocket - SSB | 1 |
| 1.1 | 290602073 | Drive Shaft - SSB | 1 |
| 1.2 | 290602074 | Sprocket (Plastic) 1/2" BS x 21T | 1 |
| 1.3 | 090105050 | Roll Pin 3/16" x 2" | 1 |
| 2 | 290452075 | Drive Tube | 1 |
| 3 | 290000011 | Drive Shaft w/- Sprocket | 2 |
| 3.1 | 290000012 | Drive Shaft | 2 |
| 3.2 | 126131406 | Sprocket (Plastic) 1/2" BS x 14T - 16 Sq | 2 |
| 3.3 | 090105044 | Roll Pin 3/16" x 1-3/4" | 2 |
| 4 | 182047430 | Key 4.75 x 4.75 x 30mm | 1 |
| 5 | 290000021 | Tensioner Assembly - SSB | 1 |
| 6 | 290000115 | Sprocket (Plastic) 1/2" BS x 21T | 1 |
| 7 | 290000031 | Sprocket (Plastic) 1/2" BS x 14T - 3/4" ID | 1 |
| 8 | 290603899 | Chain 1/2" BS Simplex | 1 |
| 9 | 125412120 | Chain 1/2" BS Duplex 13L | 2 |
| 10 | 136620401 | Bearing Housing | 2 |
| 11 | 135420412 | Bearing - 3/4" ID | 2 |
| 12 | 085110000 | Flat Washer 10 ID | 8 |
| 13 | 080121000 | Nut M10 Nyloc | 4 |
| 14 | 050100508 | Bolt Hex Hd M10 x 50 | 4 |
| 15 | 290600065 | Relocation Plate - T Box | 1 |
| 16 | 131000004 | Chain Boot | 2 |
| 17 | 124112032 | Spring - Compression | 1 |
| 18 | 095306050 | Lynch Pin 1/4" | 1 |
| 19 | 013110613 | Grub Screw 1/4" UNC x 1/2" | 2 |
| 20 | 030130101 | Nut 3/8" UNC Nyloc | 2 |
| 21 | 035110191 | Flat Washer 3/8" ID | 4 |
| 22 | 000100325 | Bolt Hex Hd 3/8" UNC x 1-1/4" | 2 |

| Key | Part Number | Description | Qty |
|-----|-------------|-------------|-----|
|-----|-------------|-------------|-----|

P/N 29000021 Tensioner Assembly - SSB



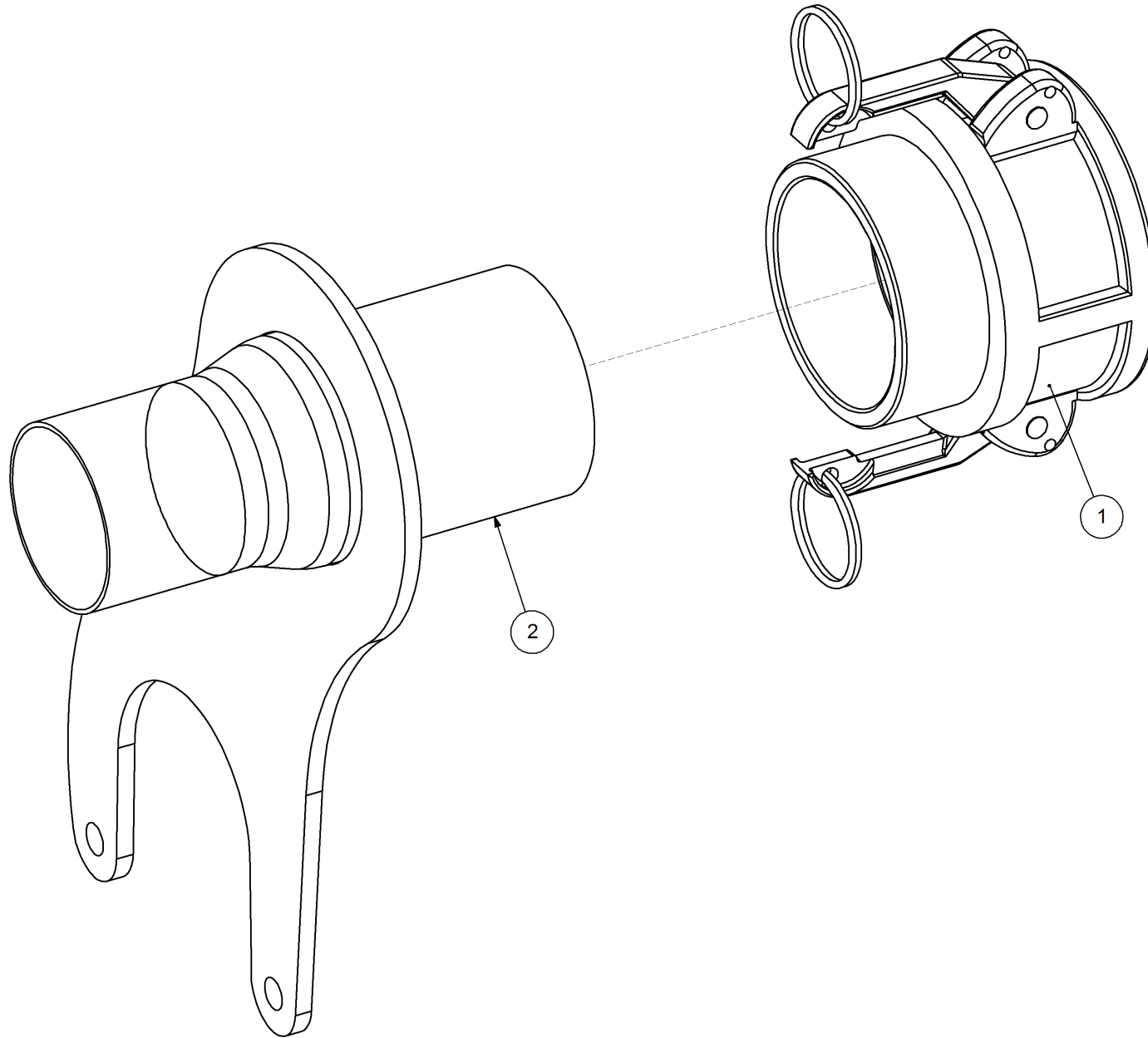


P/N 290000021

Tensioner Assembly - SSB

| Key | Part Number | Description | Qty |
|-----|-------------|--|-----|
| 1 | 290000022 | Tensioner Bracket | 1 |
| 2 | 290302077 | Spacer | 1 |
| 3 | 290000024 | Chain Idler | 1 |
| 4 | 290000023 | Chain Guide | 1 |
| 5 | 035110191 | Flat Washer 3/8" ID | 9 |
| 6 | 030130101 | Nut 3/8" UNC Nyloc | 4 |
| 7 | 290000025 | Spacer | 1 |
| 8 | 290000026 | Tensioner Arm | 1 |
| 9 | 124325081 | Spring - Torsion 1" ID - LH | 1 |
| 10 | 126131100 | Sprocket (Steel) 1/2" BS x 11T - 16 ID | 2 |
| 11 | 000100205 | Bolt Hex Hd 3/8" UNC x 3/4" | 1 |
| 12 | 020075075 | U Bolt 3/8" X 3" X 3" UNC Zp | 1 |
| 13 | 035110251 | Flat Washer 3/8" ID | 2 |
| 14 | 036110000 | Spring Washer 3/8" ID | 1 |

| Key | Part Number | Description | Qty |
|-----|-------------|-------------|-----|
|-----|-------------|-------------|-----|



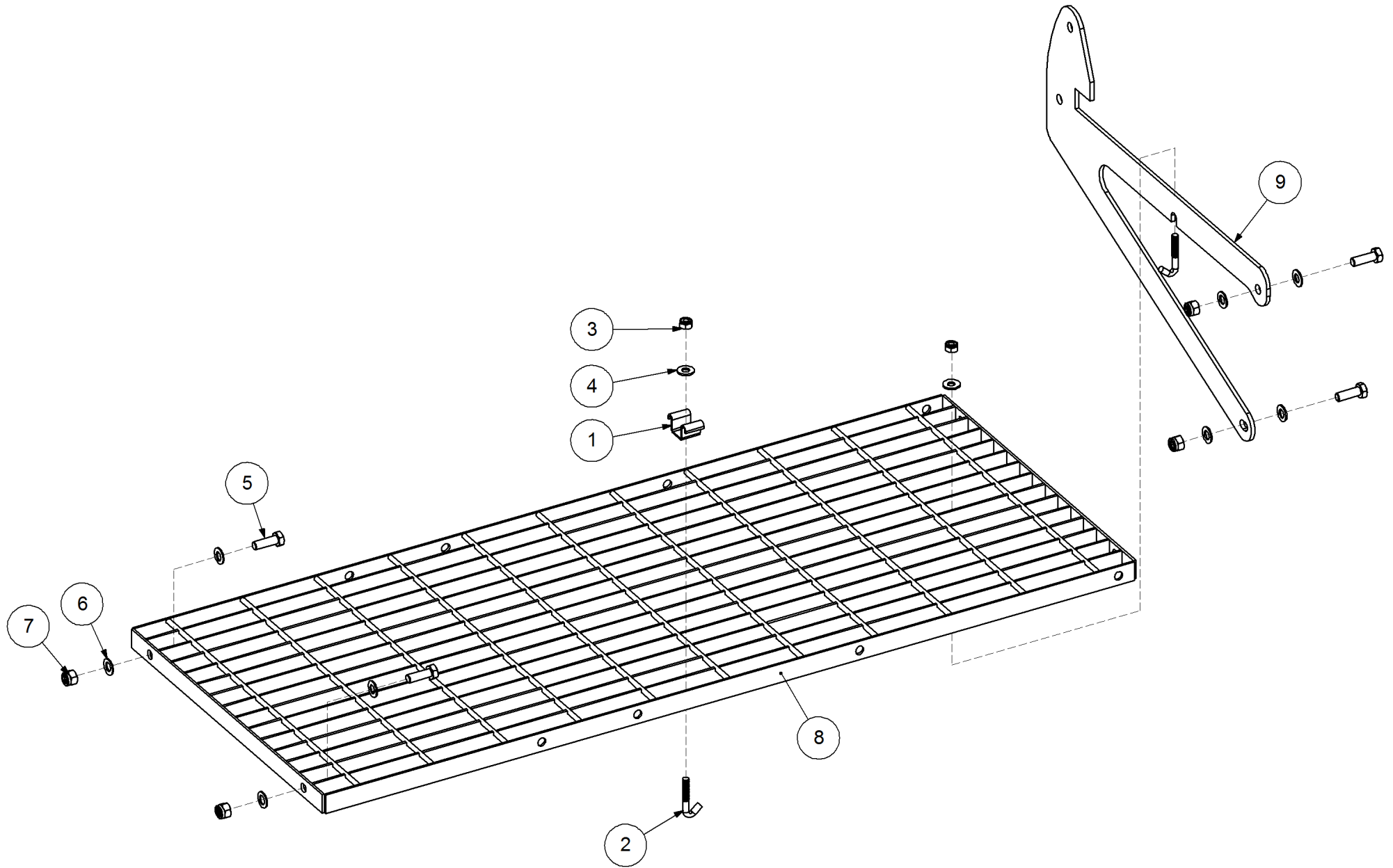


P/N 214602051

Breakaway & Coupling Assembly

| Key | Part Number | Description | Qty |
|-----|-------------|------------------------|-----|
| 1 | 108000176 | Coupling - 3" Female | 1 |
| 2 | 214602052 | Camloc Breakaway - SSB | 1 |

| Key | Part Number | Description | Qty |
|-----|-------------|-------------|-----|
|-----|-------------|-------------|-----|

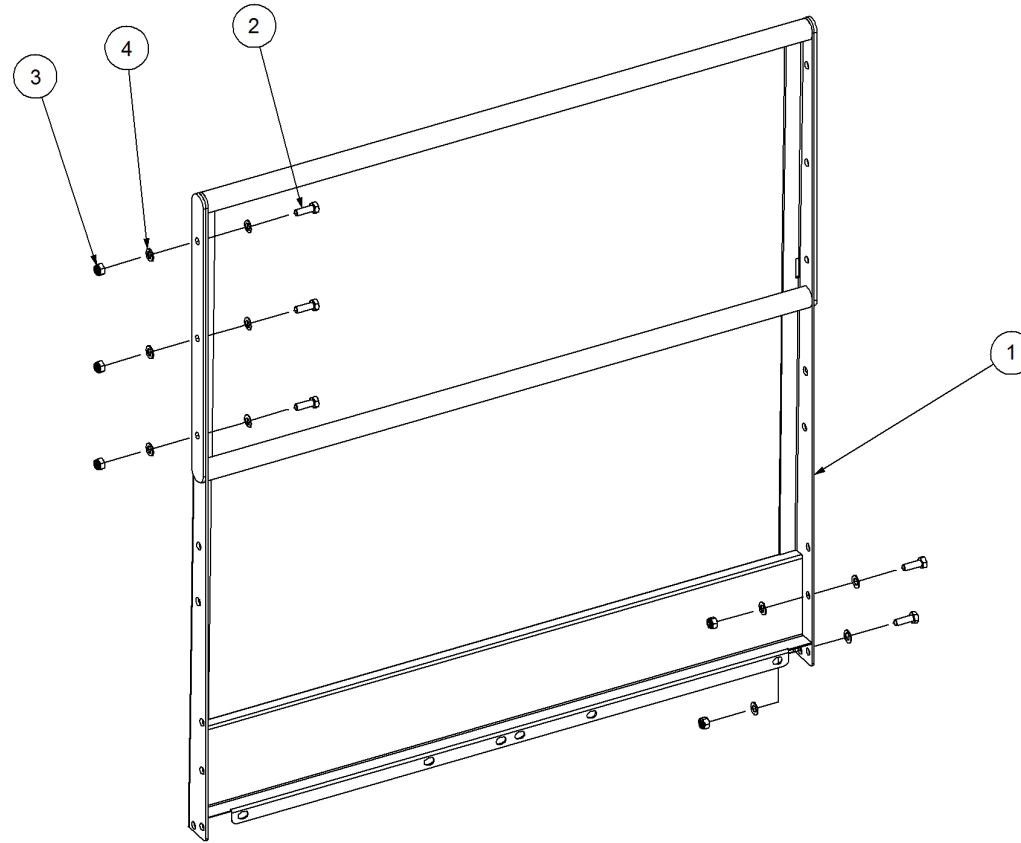




P/N 201300216 SSB Walkway Kit - 300L

| Key | Part Number | Description | Qty |
|------------|--------------------|----------------------|------------|
| 1 | 204300003 | Fixing Clip | 1 |
| 2 | 057080000 | J Bolt M8 | 2 |
| 3 | 080120800 | Nut M8 Nyloc | 2 |
| 4 | 085108000 | Flat Washer 8 ID | 2 |
| 5 | 050100308 | Bolt Hex Hd M10 x 30 | 4 |
| 6 | 085110000 | Flat Washer 10 ID | 8 |
| 7 | 080121000 | Nut M10 Nyloc | 4 |
| 8 | 193453110 | Walkway Panel | 1 |
| 9 | 201300012 | Walkway Bracket | 1 |

| Key | Part Number | Description | Qty |
|------------|--------------------|--------------------|------------|
|------------|--------------------|--------------------|------------|



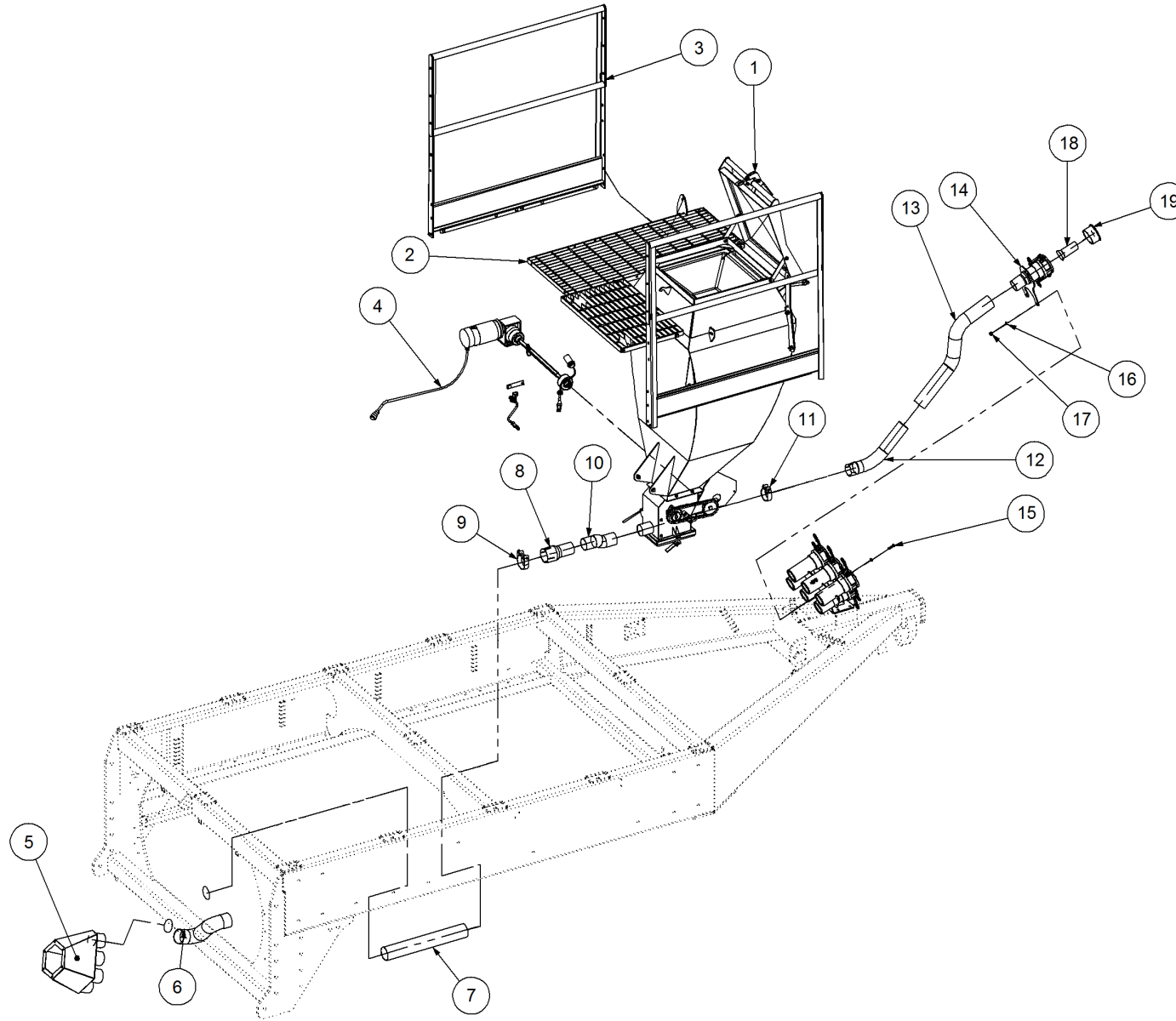


P/N 201300211

SSB Handrail Kit - 300L

| Key | Part Number | Description | Qty |
|-----|-------------|----------------------|-----|
| 1 | 206602086 | Handrail | 1 |
| 2 | 050100308 | Bolt Hex Hd M10 x 30 | 5 |
| 3 | 080121000 | Nut M10 Nyloc | 5 |
| 4 | 085110000 | Flat Washer 10 ID | 10 |

| Key | Part Number | Description | Qty |
|-----|-------------|-------------|-----|
|-----|-------------|-------------|-----|

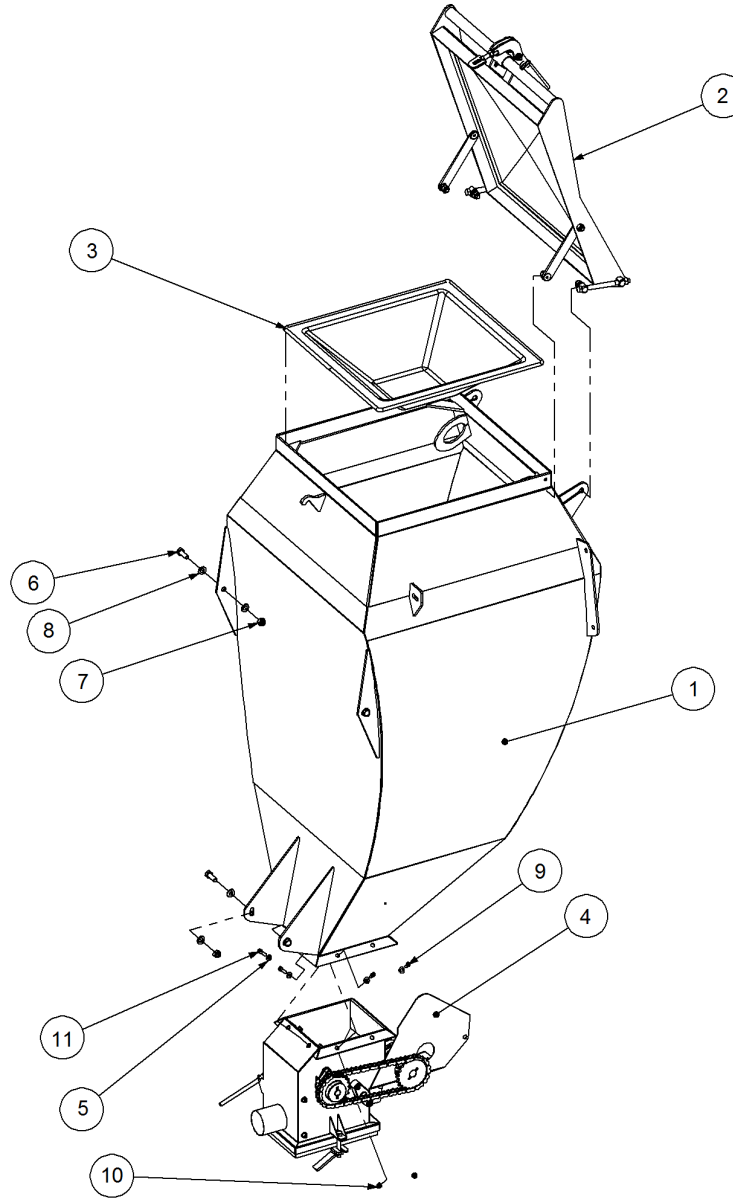




P/N 201300101 SSB Kit - 300L 1 Way Electric Drive

| Key | Part Number | Description | Qty |
|------------|--------------------|--|------------|
| 1 | 201300251 | SSB Sub Assembly - 300L 1 Way Electric Drive | 1 |
| 2 | 201300215 | SSB Walkway Kit - 300L | 1 |
| 3 | 201300210 | SSB Handrail Kit - 300L | 1 |
| 4 | 290602802 | Drive Kit - SSB 300L TQ Electric Drive | 1 |
| 5 | 259602009 | Blower Outlet - 7 Outlet | 1 |
| 6 | 109400076 | Hose Ribbed Bore 76 Dia | 1 |
| 7 | 109400076 | Hose Ribbed Bore 76 Dia | 1 |
| 8 | 208000075 | Reducer 3" ID x 2-1/2" OD | 1 |
| 9 | 100074079 | Hose Clamp - Mikalor 74 - 79 | 1 |
| 10 | 109200064 | Hose Ductaflex 63 Dia | 1 |
| 11 | 100064067 | Hose Clamp - Mikalor 64 - 67 | 1 |
| 12 | 193045212 | Elbow 2-1/2" Dia | 1 |
| 13 | 109600064 | Hose Abrasive Resistant 64 Dia | 1 |
| 14 | 214602051 | Breakaway & Coupling Assembly | 1 |
| 15 | 000100325 | Bolt Hex Hd 3/8" UNC x 1-1/4" | 2 |
| 16 | 035110191 | Flat Washer 3/8" ID | 4 |
| 17 | 030130101 | Nut 3/8" UNC Nyloc | 2 |
| 18 | 208063044 | Air Restrictor | 1 |
| 19 | 108000075 | Plug - 3" Female | 1 |

| Key | Part Number | Description | Qty |
|------------|--------------------|--------------------|------------|
|------------|--------------------|--------------------|------------|



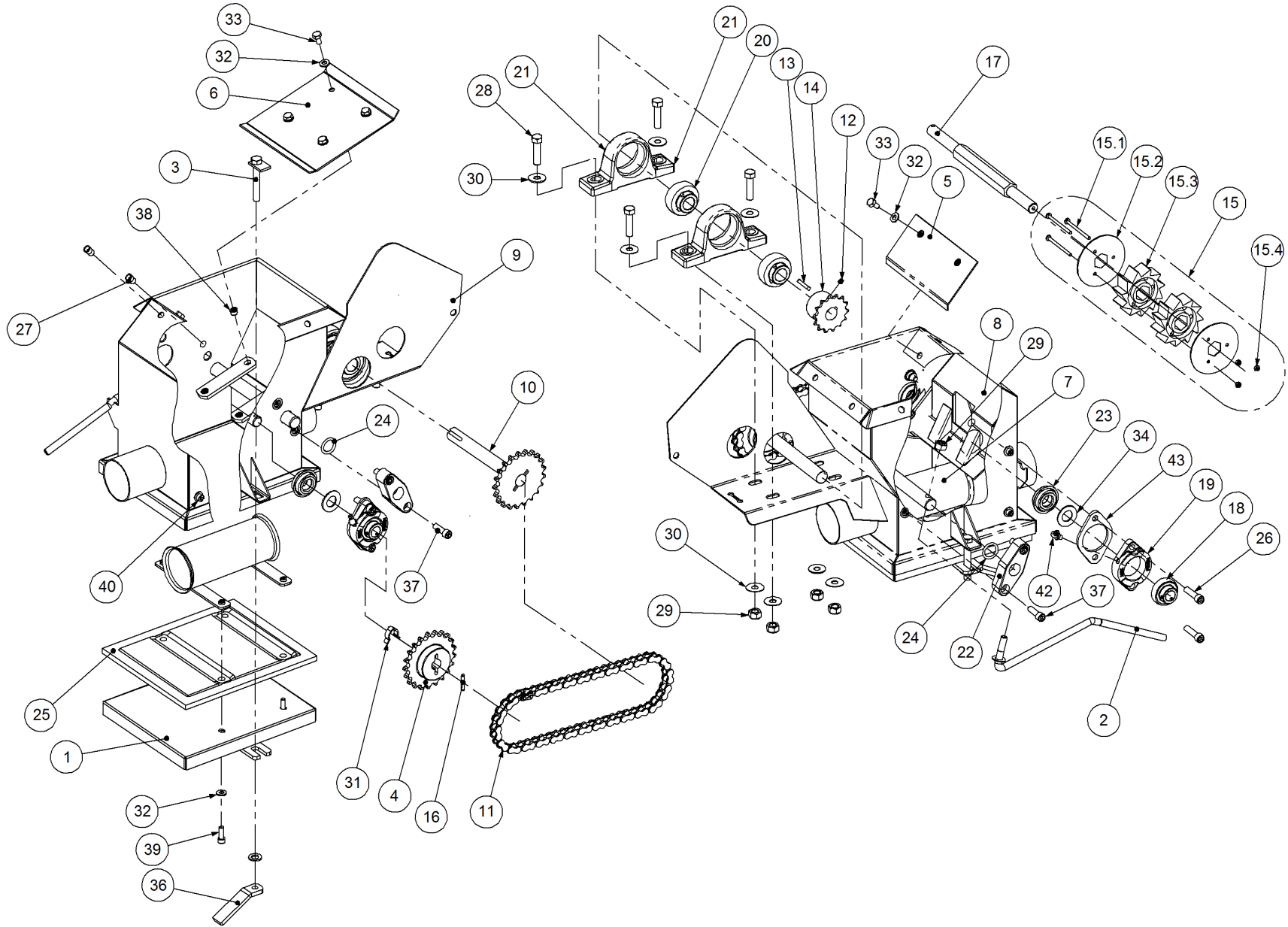


P/N 201300251

SSB Sub Assembly - 300L 1 Way Electric Drive

| Key | Part Number | Description | Qty |
|-----|-------------|--|-----|
| 1 | 201300001 | Small Seeds Box - 300L | 1 |
| 2 | 203150000 | Lid Assy - Medium | 1 |
| 3 | 203155001 | Wire Basket | 1 |
| 4 | 208103000 | Metering Unit SSB - 1 Way Electric Drive | 1 |
| 5 | 035106151 | Flat Washer 1/4" ID | 8 |
| 6 | 050100308 | Bolt Hex Hd M10 x 30 | 4 |
| 7 | 080121000 | Nut M10 Nyloc | 4 |
| 8 | 085110000 | Flat Washer 10 ID | 8 |
| 9 | 010106012 | Cap Screw 1/4" UNC x 1/2" | 6 |
| 10 | 030110061 | Nut 1/4" UNC | 6 |
| 11 | 010106019 | Cap Screw 1/4" UNC x 3/4" | 2 |

| Key | Part Number | Description | Qty |
|-----|-------------|-------------|-----|
|-----|-------------|-------------|-----|

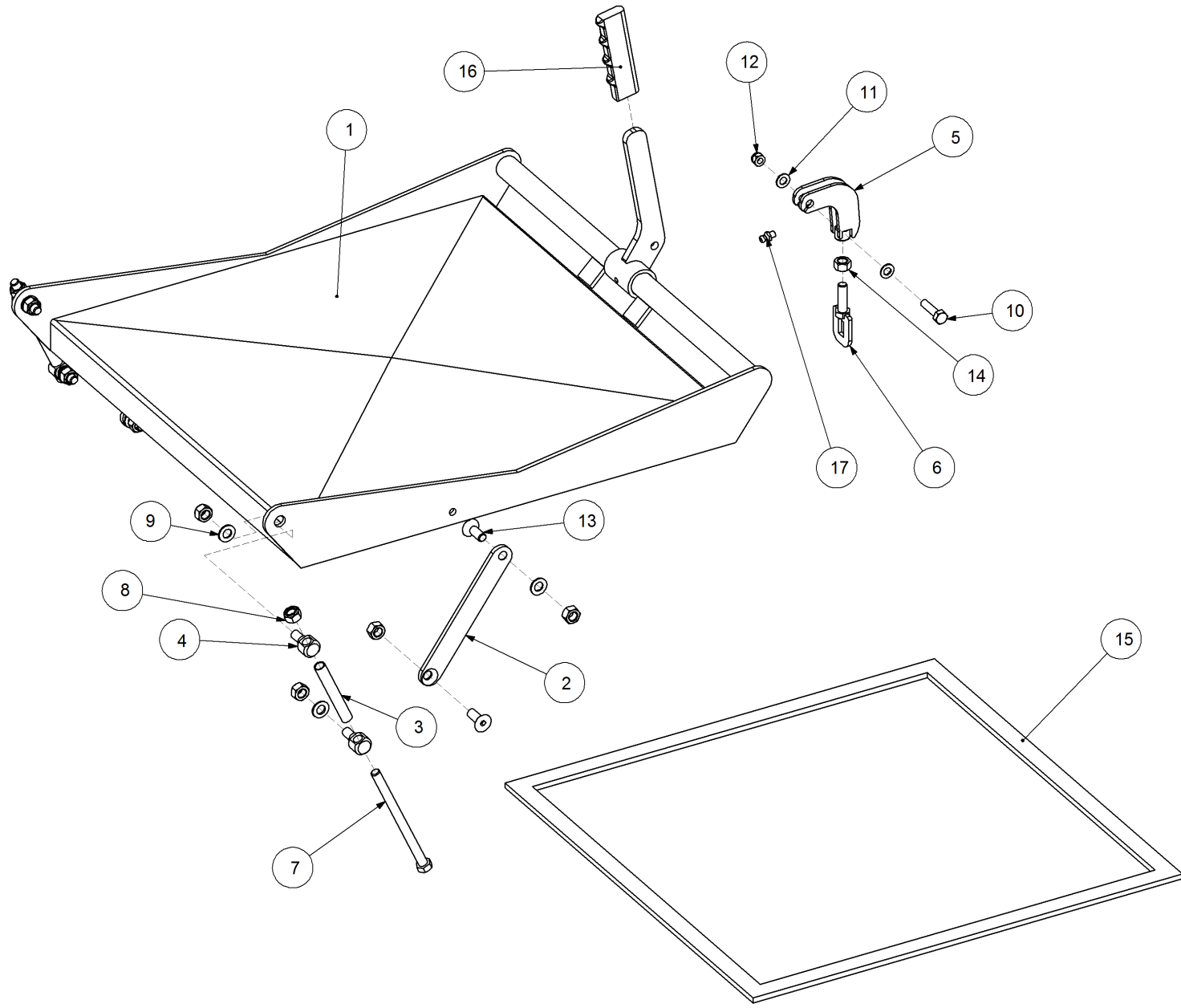




P/N 208103000 Metering Unit SSB - 1 Way Electric Drive

| Key | Part Number | Description | Qty | Key | Part Number | Description | Qty |
|------|-------------|--|-----|-----|-------------|--------------------------------|-----|
| 1 | 208100026 | Bottom Door - SSB | 1 | 29 | 030130101 | Nut 3/8" UNC Nyloc | 5 |
| 2 | 208100051 | Cleanout Door Handle - SSB | 1 | 30 | 035110251 | Flat Washer 3/8" ID | 8 |
| 3 | 208100061 | Bottom Door Bolt - SSB | 2 | 31 | 193003765 | Retainer Clip - Sprocket | 1 |
| 4 | 208100095 | Sprocket (Plastic) 1/2" BS x 21T | 1 | 32 | 035106151 | Flat Washer 1/4" ID | 14 |
| 5 | 208100071 | Coarse Seeds Plate - SSB | 1 | 33 | 000060135 | Bolt Hex Hd 1/4" UNC x 1/2" | 6 |
| 6 | 208100047 | Clean Out Door - SSB | 1 | 34 | 035316320 | Flat Washer 5/8" ID S/Steel | 2 |
| 7 | 208100028 | Flow Through Tube | 1 | 35 | 035110191 | Flat Washer 3/8" ID | 2 |
| 8 | 208100020 | Port Plate - 1 Way | 1 | 36 | 208100060 | Handle - Bottom Door Fastener | 2 |
| 9 | 208102002 | Metering Unit SSB - 1 Way | 1 | 37 | 010208025 | Cap Screw 5/16" BSW x 1" | 4 |
| 10 | 290602070 | Drive Shaft & Sprocket - SSB | 1 | 38 | 030170061 | Nut 1/4" UNC Huck | 4 |
| 11 | 290600899 | Chain 1/2" AS Simplex | 1 | 39 | 010106019 | Cap Screw 1/4" UNC x 3/4" | 4 |
| 12 | 013110613 | Grub Screw 1/4" UNC x 1/2" | 1 | 40 | 010106012 | Cap Screw 1/4" UNC x 1/2" | 4 |
| 13 | 182047430 | Key 4.75 x 4.75 x 30mm | 1 | 41 | 030170081 | Nut 5/16" UNC Huck | 8 |
| 14 | 290000031 | Sprocket (Plastic) 1/2" BS x 14T - 3/4" ID | 1 | 42 | 111206675 | Grease Nipple 1/4" UNF - 67.5° | 2 |
| 15 | 208100092 | Spool Assy - SSB | 1 | 43 | 197001626P | Gasket (Small) - Bearing | 2 |
| 15.1 | 059604060 | Bolt Pan Hd M4 x 60 | 3 | | | | |
| 15.2 | 193001905 | Spool Washer | 2 | | | | |
| 15.3 | 197018845 | Spool | 2 | | | | |
| 15.4 | 080310041 | Nut M4 S/Steel | 3 | | | | |
| 16 | 090105025 | Roll Pin 3/16" x 1" | 1 | | | | |
| 17 | 208100100 | Spool Shaft - SSB | 1 | | | | |
| 18 | 135320210 | Bearing - 5/8" ID | 2 | | | | |
| 19 | 136520300 | Bearing Housing | 2 | | | | |
| 20 | 135420412 | Bearing - 3/4" ID | 2 | | | | |
| 21 | 136420500 | Bearing Housing - Pillow Block | 2 | | | | |
| 22 | 137308846 | Bush | 2 | | | | |
| 23 | 197161687 | Seal 5/8" ID | 2 | | | | |
| 24 | 197192535 | O'Ring 3/4" ID x 1" OD x 0.139" | 2 | | | | |
| 25 | 208100016 | Door Rubber - SSB | 1 | | | | |
| 26 | 010208032 | Cap Screw 5/16" BSW x 1-1/4" | 4 | | | | |
| 27 | 030170001 | Nut 1/4" UNC Huck | 2 | | | | |
| 28 | 000100385 | Bolt Hex Hd 3/8" UNC x 1-1/2" | 4 | | | | |

P/N 203150000 Lid Assy - Medium

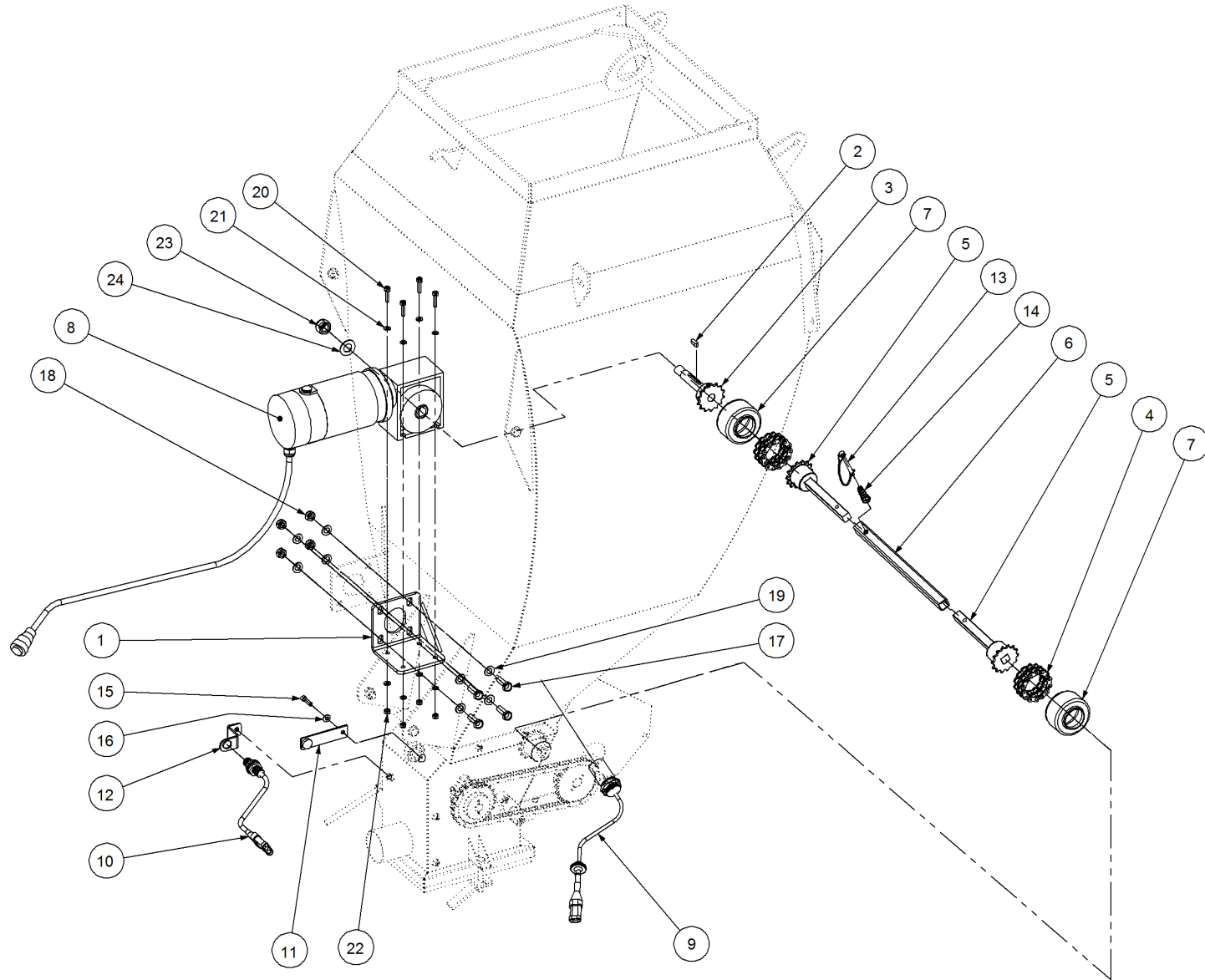




P/N 203150000 Lid Assy - Medium

| Key | Part Number | Description | Qty |
|------------|--------------------|--------------------------------|------------|
| 1 | 203150001 | Lid - Medium | 1 |
| 2 | 203154006 | Lid Tilt Hinge | 2 |
| 3 | 203154004 | Lid Hinge Spacer | 2 |
| 4 | 203154005 | Lid Hinge Swivel | 4 |
| 5 | 203154001 | Lid Latch Toggle | 1 |
| 6 | 203153001 | Lid Latch Loop | 1 |
| 7 | 000101395 | Bolt Hex Hd 3/8" UNC x 5-1/2" | 2 |
| 8 | 030130101 | Nut 3/8" UNC Nyloc | 6 |
| 9 | 035110191 | Flat Washer 3/8" ID | 8 |
| 10 | 000080325 | Bolt Hex Hd 5/16" UNC x 1-1/4" | 1 |
| 11 | 035108161 | Flat Washer 5/16" ID | 2 |
| 12 | 030130081 | Nut 5/16" UNC Nyloc | 1 |
| 13 | 012110025 | Cap Screw Csk Hd 3/8" UNC x 1" | 4 |
| 14 | 030110101 | Nut 3/8" UNC | 5 |
| 15 | 197525265 | Lid Seal - Medium | 1 |
| 16 | 197020115 | Lid Handle Grip | 1 |
| 17 | 111206000 | Grease Nipple 1/4" UNF | 1 |

| Key | Part Number | Description | Qty |
|------------|--------------------|--------------------|------------|
|------------|--------------------|--------------------|------------|

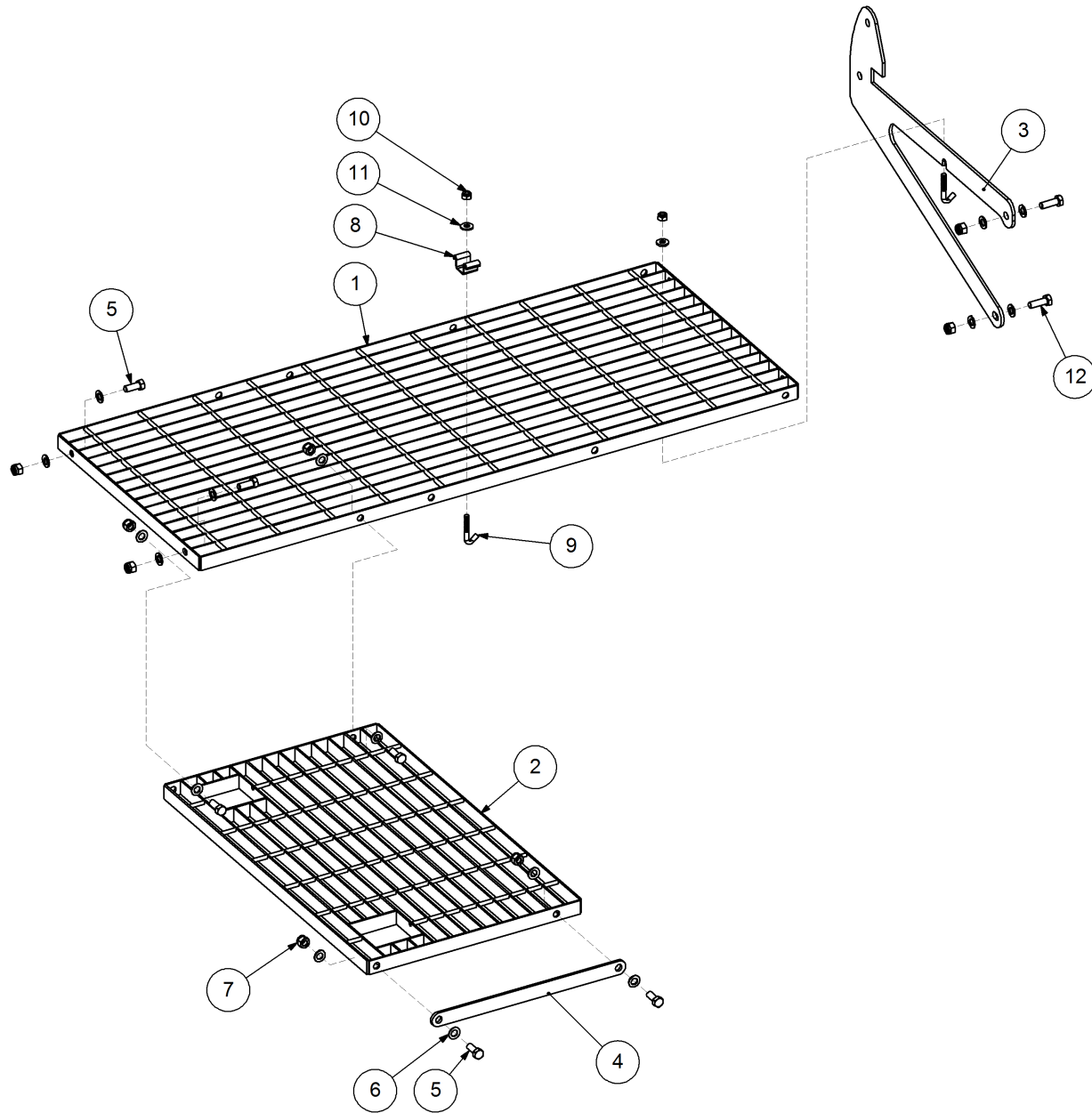




P/N 290602802 Drive Kit - SSB 300L TQ Electric Drive

| Key | Part Number | Description | Qty |
|-----|-------------|-----------------------------|-----|
| 1 | 211302011 | SSB Electric Drive Mount | 1 |
| 2 | 246300036 | Key | 1 |
| 3 | 290000005 | Input Shaft | 1 |
| 4 | 125412120 | Chain 1/2" BS Duplex 13L | 2 |
| 5 | 290000011 | Drive Shaft w/- Sprocket | 2 |
| 6 | 290452075 | Drive Tube | 1 |
| 7 | 131000004 | Chain Boot | 2 |
| 8 | 116901350 | Electric Drive & Gearbox | 1 |
| 9 | 116900667 | Sensor Kit - Bin Level | 1 |
| 10 | 116901200 | Sensor - Speed | 1 |
| 11 | 208400142 | Mount Plate - Single Magnet | 1 |
| 12 | 208400140 | Sensor Bracket - KEE | 1 |
| 13 | 095306050 | Lynch Pin 1/4" | 1 |
| 14 | 124112032 | Spring - Compression | 1 |
| 15 | 010106025 | Cap Screw 1/4" UNC x 1" | 1 |
| 16 | 035106151 | Flat Washer 1/4" ID | 1 |
| 17 | 050100308 | Bolt Hex Hd M10 x 30 | 4 |
| 18 | 080121000 | Nut M10 Nyloc | 4 |
| 19 | 085110000 | Flat Washer 10 ID | 8 |
| 20 | 060106015 | Cap Screw M6 x 15 | 4 |
| 21 | 085106000 | Flat Washer 6 ID | 8 |
| 22 | 080120600 | Nut M6 Nyloc | 4 |
| 23 | 030130161 | Nut 5/8" UNC Nyloc | 1 |
| 24 | 035116351 | Flat Washer 5/8" ID | 1 |

| Key | Part Number | Description | Qty |
|-----|-------------|-------------|-----|
|-----|-------------|-------------|-----|

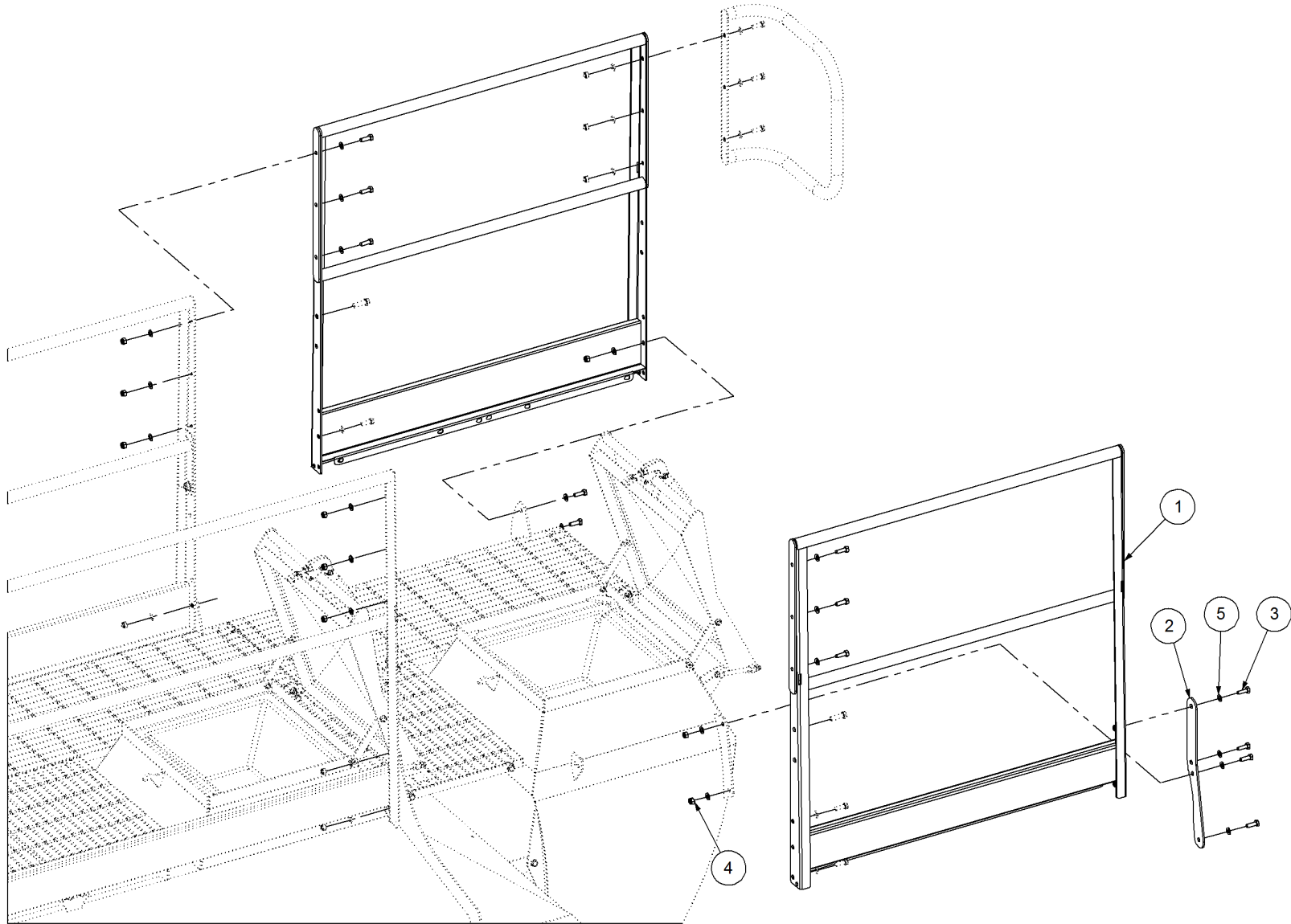




P/N 201300215 SSB Walkway Kit - 300L

| Key | Part Number | Description | Qty |
|------------|--------------------|--------------------------|------------|
| 1 | 193453110 | Walkway Panel | 1 |
| 2 | 200602030 | Walkway Panel w/- Cutout | 1 |
| 3 | 201300012 | Walkway Bracket | 1 |
| 4 | 206602088 | 300L SSB Handrail Spacer | 1 |
| 5 | 050100258 | Bolt Hex Hd M10 x 25 | 6 |
| 6 | 085110000 | Flat Washer 10 ID | 16 |
| 7 | 080121000 | Nut M10 Nyloc | 8 |
| 8 | 204300003 | Fixing Clip | 1 |
| 9 | 057080000 | J Bolt M8 | 2 |
| 10 | 080120800 | Nut M8 Nyloc | 2 |
| 11 | 085108000 | Flat Washer 8 ID | 2 |
| 12 | 050100308 | Bolt Hex Hd M10 x 30 | 2 |

| Key | Part Number | Description | Qty |
|------------|--------------------|--------------------|------------|
|------------|--------------------|--------------------|------------|

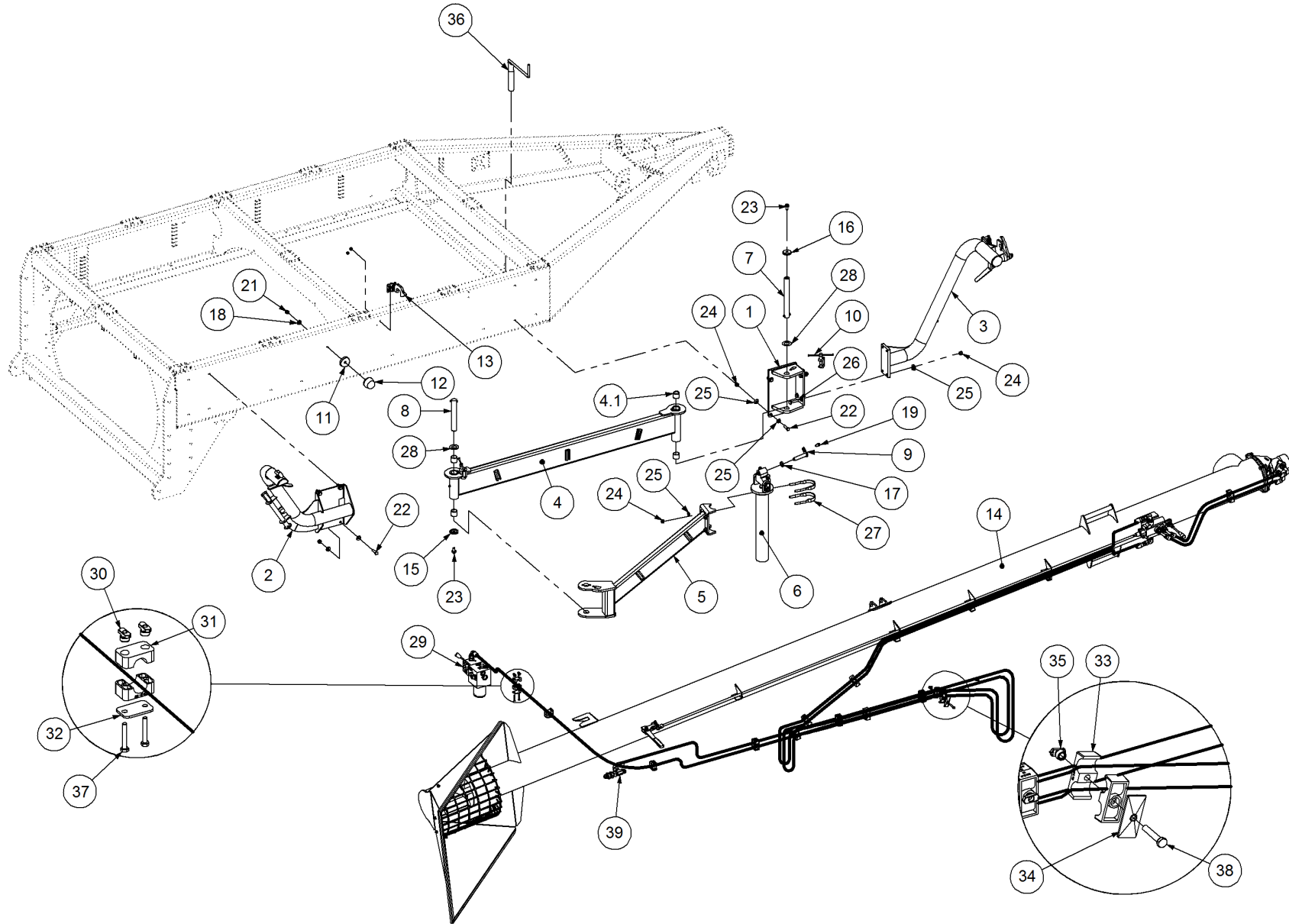




P/N 201300210 SSB Handrail Kit - 300L

| Key | Part Number | Description | Qty |
|------------|--------------------|----------------------|------------|
| 1 | 206602086 | Handrail | 2 |
| 2 | 201300013 | Handrail Bracket | 1 |
| 3 | 050100308 | Bolt Hex Hd M10 x 30 | 12 |
| 4 | 080121000 | Nut M10 Nyloc | 12 |
| 5 | 085110000 | Flat Washer 10 ID | 24 |

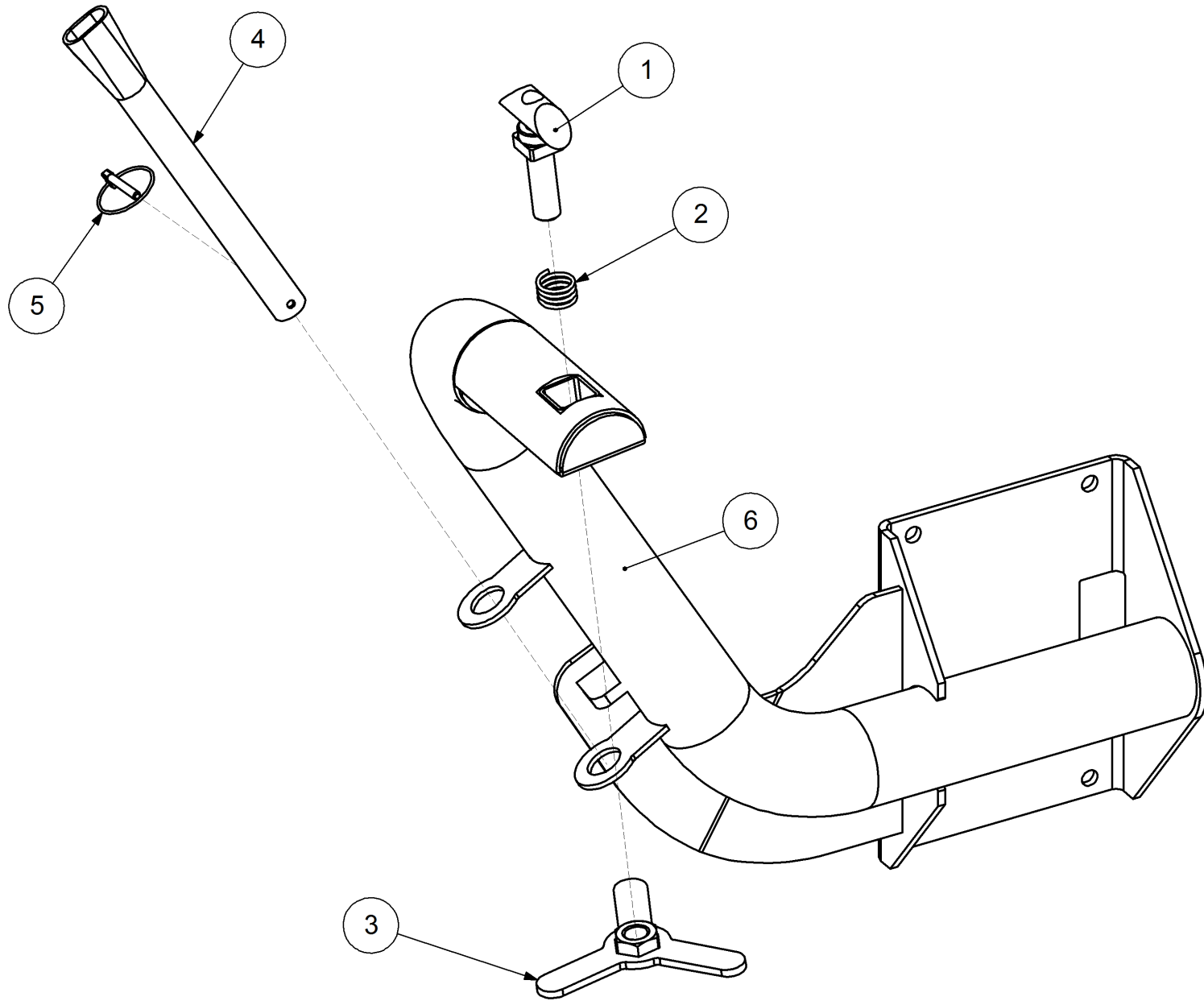
| Key | Part Number | Description | Qty |
|------------|--------------------|--------------------|------------|
|------------|--------------------|--------------------|------------|





P/N 265602000 Auger Kit 8" - RH

| Key | Part Number | Description | Qty | Key | Part Number | Description | Qty |
|-----|-------------|---------------------------------|-----|-----|-------------|-------------------------------|-----|
| 1 | 260902035 | Mount - Auger Arm - RH | 1 | 32 | 156163000 | Clamp Top Plate | 4 |
| 2 | 260602040 | Rear Mount Arm - RH | 1 | 33 | 156243220 | Clamp Pipe Double 22 Dia | 8 |
| 3 | 260602001 | Front Mount Arm - RH | 1 | 34 | 156263000 | Clamp Top Plate | 8 |
| 4 | 260902210 | Main Arm - RH | 1 | 35 | 156180008 | Stauff Rail Nut M8 | 8 |
| 4.1 | 497655243 | Bush - Hardened 31.8 ID x 32 Lg | 4 | 36 | 208400041 | Crank Handle - Long | 1 |
| 5 | 260902025 | Centre Pivot Arm - RH | 1 | 37 | 050060408 | Bolt Hex Hd M6 x 40 | 8 |
| 6 | 260902220 | Auger Centre Pivot - RH | 1 | 38 | 050080458 | Bolt Hex Hd M8 x 45 | 8 |
| 7 | 260902055 | D Lock Pin | 1 | 39 | 150000059 | Hydraulic Hose & Fittings Kit | 1 |
| 8 | 260902057 | Auger Arm Pin | 1 | | | | |
| 9 | 260902139 | Auger Pivot Pin | 1 | | | | |
| 10 | 260902049 | Clamp - Auger | 2 | | | | |
| 11 | 260902310 | Bump Stop Spacer | 1 | | | | |
| 12 | 197020400 | Bump Stop | 1 | | | | |
| 13 | 260902180 | Auger Latch - RH | 1 | | | | |
| 14 | 260902100 | Auger Barrel Assy 8" | 1 | | | | |
| 15 | 235600118 | Pin Retainer | 1 | | | | |
| 16 | 260902059 | Pin Retainer | 1 | | | | |
| 17 | 260902162 | Spacer | 1 | | | | |
| 18 | 036113000 | Spring Washer 1/2" ID | 1 | | | | |
| 19 | 050100208 | Bolt Hex Hd M10 x 20 | 1 | | | | |
| 20 | 085110000 | Flat Washer 10 ID | 1 | | | | |
| 21 | 031130131 | Nut 1/2" BSW Nyloc | 1 | | | | |
| 22 | 050120408 | Bolt Hex Hd M12 x 40 | 8 | | | | |
| 23 | 054120259 | Bolt Hex Hd M12 x 25 Durlok | 2 | | | | |
| 24 | 080121200 | Nut M12 Nyloc | 16 | | | | |
| 25 | 085112000 | Flat Washer 12 ID | 28 | | | | |
| 26 | 050120508 | Bolt Hex Hd M12 x 50 | 4 | | | | |
| 27 | 260902160 | U Bolt M12 x 3" Dia | 2 | | | | |
| 28 | 137000031 | Washer 1-1/4" Thrust | 2 | | | | |
| 29 | 254000003 | Diverter Valve | 1 | | | | |
| 30 | 156180006 | Stauff Rail Nut M6 | 8 | | | | |
| 31 | 156143220 | Clamp Pipe Single 22 Dia | 4 | | | | |





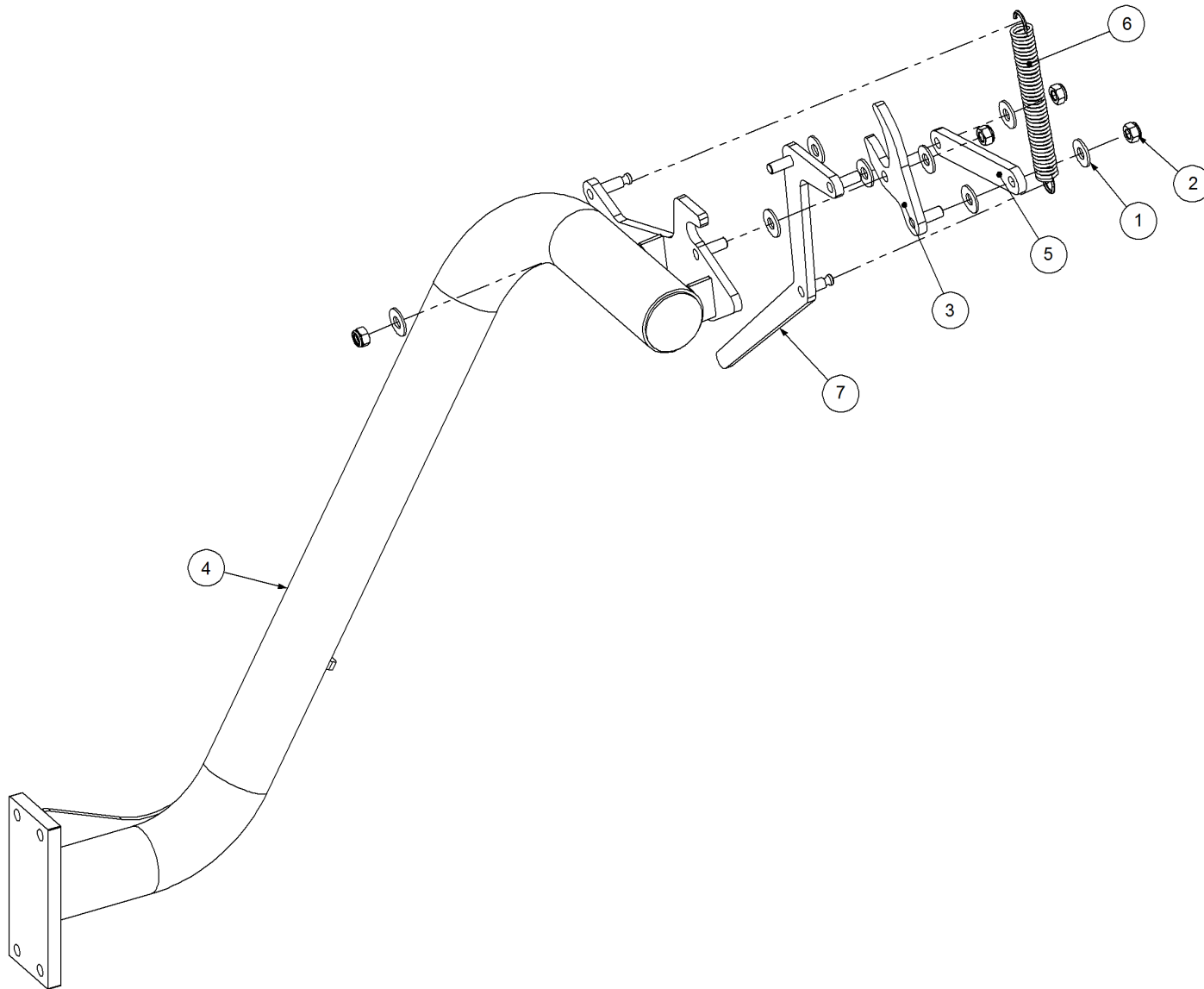
P/N 260602040

Rear Mount Arm - RH

| Key | Part Number | Description | Qty |
|-----|-------------|------------------------------|-----|
| 1 | 260902320 | T Bolt | 1 |
| 2 | 260902318 | Spring - Compression 22.5 ID | 1 |
| 3 | 260902312 | Handle | 1 |
| 4 | 260902315 | Handle Extension | 1 |
| 5 | 095106000 | Lynch Pin 6mm | 1 |
| 6 | 260602041 | Rear Mount - RH | 1 |

| Key | Part Number | Description | Qty |
|-----|-------------|-------------|-----|
|-----|-------------|-------------|-----|

P/N 260602001 Front Mount Arm - RH



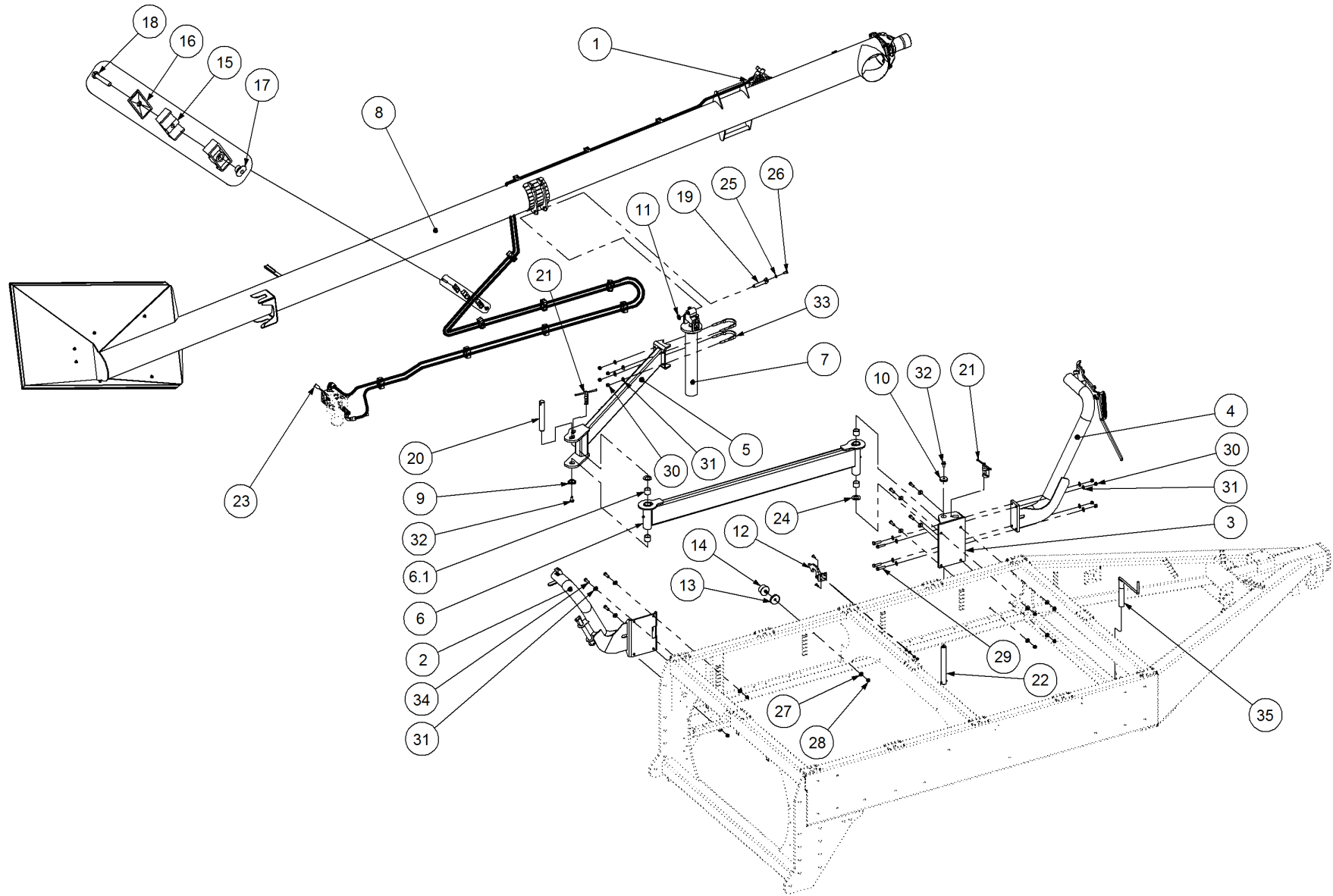


P/N 260602001

Front Mount Arm - RH

| Key | Part Number | Description | Qty |
|------------|--------------------|---------------------|------------|
| 1 | 035113250 | Flat Washer 1/2" ID | 8 |
| 2 | 080121200 | Nut M12 Nyloc | 4 |
| 3 | 260602006 | Front Mount Grab | 1 |
| 4 | 260602002 | Front Mount - RH | 1 |
| 5 | 260902013 | Link Plate | 1 |
| 6 | 124225175 | Spring - Tension | 1 |
| 7 | 260602005 | Latch Handle | 1 |

| Key | Part Number | Description | Qty |
|------------|--------------------|--------------------|------------|
|------------|--------------------|--------------------|------------|

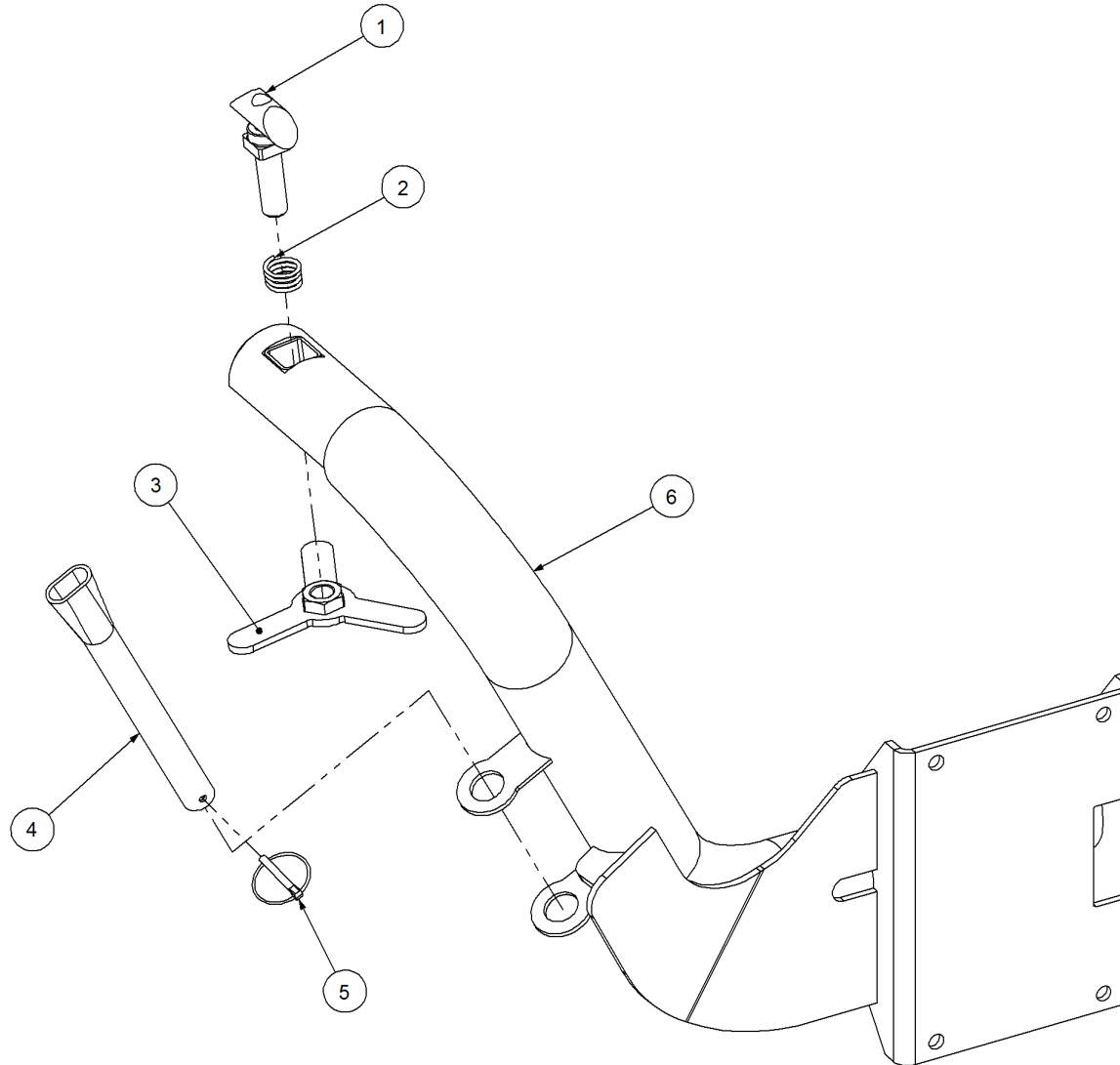




P/N 265603000 Auger Kit 8" - LH

| Key | Part Number | Description | Qty | Key | Part Number | Description | Qty |
|-----|-------------|---------------------------------|-----|-----|-------------|------------------------------|-----|
| 1 | 150000132 | Hydraulic Hose & Fittings Kit | 1 | 32 | 054120259 | Bolt Hex Hd M12 x 25 Durllok | 2 |
| 2 | 260603040 | Rear Mount Arm - LH | 1 | 33 | 260902160 | U Bolt M12 x 3" Dia | 2 |
| 3 | 260903035 | Auger Arm Pivot - LH | 1 | 34 | 050120408 | Bolt Hex Hd M12 x 40 | 8 |
| 4 | 260603001 | Front Mount Arm - LH | 1 | 35 | 208400041 | Crank Handle - Long | 1 |
| 5 | 260903025 | Centre Pivot Arm - LH | 1 | | | | |
| 6 | 260903021 | Main Pivot Arm - LH | 1 | | | | |
| 6.1 | 497655243 | Bush - Hardened 31.8 ID x 32 Lg | 4 | | | | |
| 7 | 260902220 | Auger Centre Pivot - RH | 1 | | | | |
| 8 | 260902100 | Auger Barrel Assy 8" | 1 | | | | |
| 9 | 235600118 | Pin Retainer | 1 | | | | |
| 10 | 260902059 | Pin Retainer | 1 | | | | |
| 11 | 260902162 | Spacer | 1 | | | | |
| 12 | 260902180 | Auger Latch - RH | 1 | | | | |
| 13 | 260902310 | Bump Stop Spacer | 1 | | | | |
| 14 | 197020400 | Bump Stop | 1 | | | | |
| 15 | 156243220 | Clamp Pipe Double 22 Dia | 9 | | | | |
| 16 | 156263000 | Clamp Top Plate | 9 | | | | |
| 17 | 156180008 | Stauff Rail Nut M8 | 9 | | | | |
| 18 | 050080458 | Bolt Hex Hd M8 x 45 | 9 | | | | |
| 19 | 260902139 | Auger Pivot Pin | 1 | | | | |
| 20 | 260902057 | Auger Arm Pin | 1 | | | | |
| 21 | 260902049 | Clamp - Auger | 2 | | | | |
| 22 | 260902055 | D Lock Pin | 1 | | | | |
| 23 | 254000003 | Diverter Valve | 1 | | | | |
| 24 | 137000031 | Washer 1-1/4" Thrust | 2 | | | | |
| 25 | 085110000 | Flat Washer 10 ID | 1 | | | | |
| 26 | 050100208 | Bolt Hex Hd M10 x 20 | 1 | | | | |
| 27 | 036113000 | Spring Washer 1/2" ID | 1 | | | | |
| 28 | 031130131 | Nut 1/2" BSW Nyloc | 1 | | | | |
| 29 | 050120508 | Bolt Hex Hd M12 x 50 | 4 | | | | |
| 30 | 080121200 | Nut M12 Nyloc | 16 | | | | |
| 31 | 085112000 | Flat Washer 12 ID | 28 | | | | |

P/N 260603040 Rear Mount Arm - LH





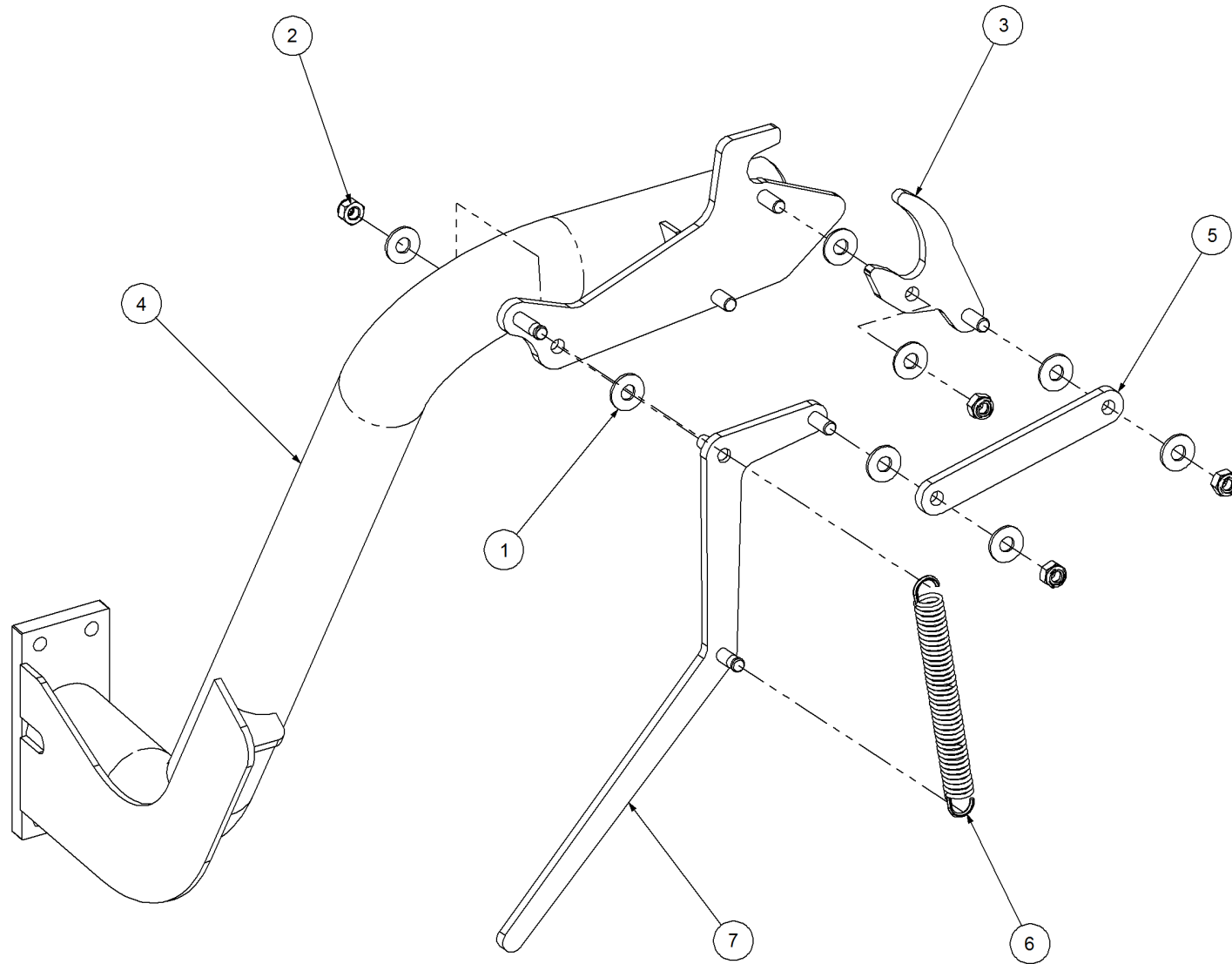
P/N 260603040

Rear Mount Arm - LH

| Key | Part Number | Description | Qty |
|-----|-------------|------------------------------|-----|
| 1 | 260902320 | T Bolt | 1 |
| 2 | 260902318 | Spring - Compression 22.5 ID | 1 |
| 3 | 260902312 | Handle | 1 |
| 4 | 260902315 | Handle Extension | 1 |
| 5 | 095106000 | Lynch Pin 6mm | 1 |
| 6 | 260603041 | Rear Mount - LH | 1 |

| Key | Part Number | Description | Qty |
|-----|-------------|-------------|-----|
|-----|-------------|-------------|-----|

P/N 260603001 Front Mount Arm - LH





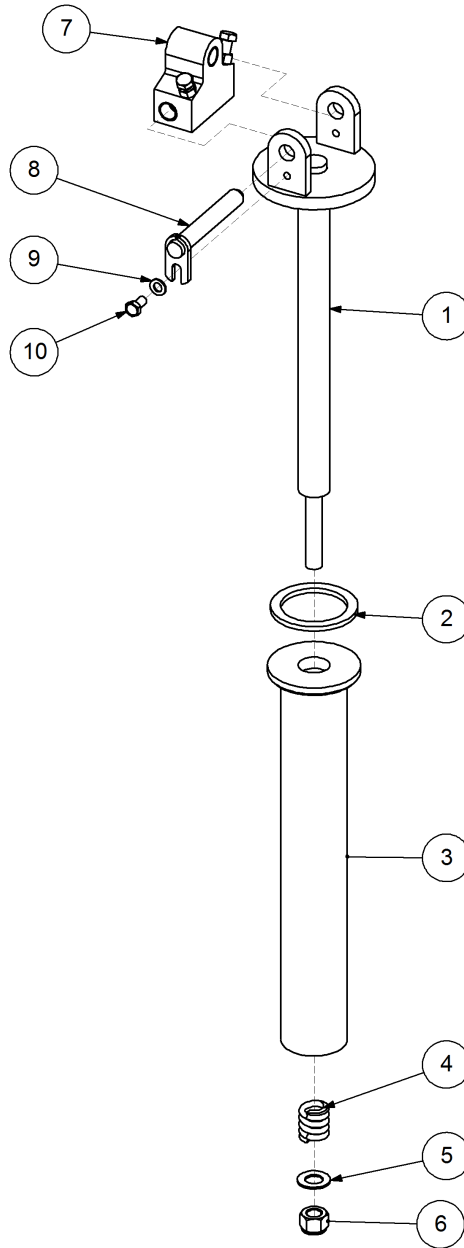
P/N 260603001

Front Mount Arm - LH

| Key | Part Number | Description | Qty |
|------------|--------------------|---------------------|------------|
| 1 | 035113250 | Flat Washer 1/2" ID | 8 |
| 2 | 080121200 | Nut M12 Nyloc | 4 |
| 3 | 260902012 | Front Support Grab | 1 |
| 4 | 260603002 | Front Mount - LH | 1 |
| 5 | 260902013 | Link Plate | 1 |
| 6 | 124225175 | Spring - Tension | 1 |
| 7 | 260902008 | Latch Handle | 1 |

| Key | Part Number | Description | Qty |
|------------|--------------------|--------------------|------------|
|------------|--------------------|--------------------|------------|

P/N 260902220 Auger Centre Pivot - RH





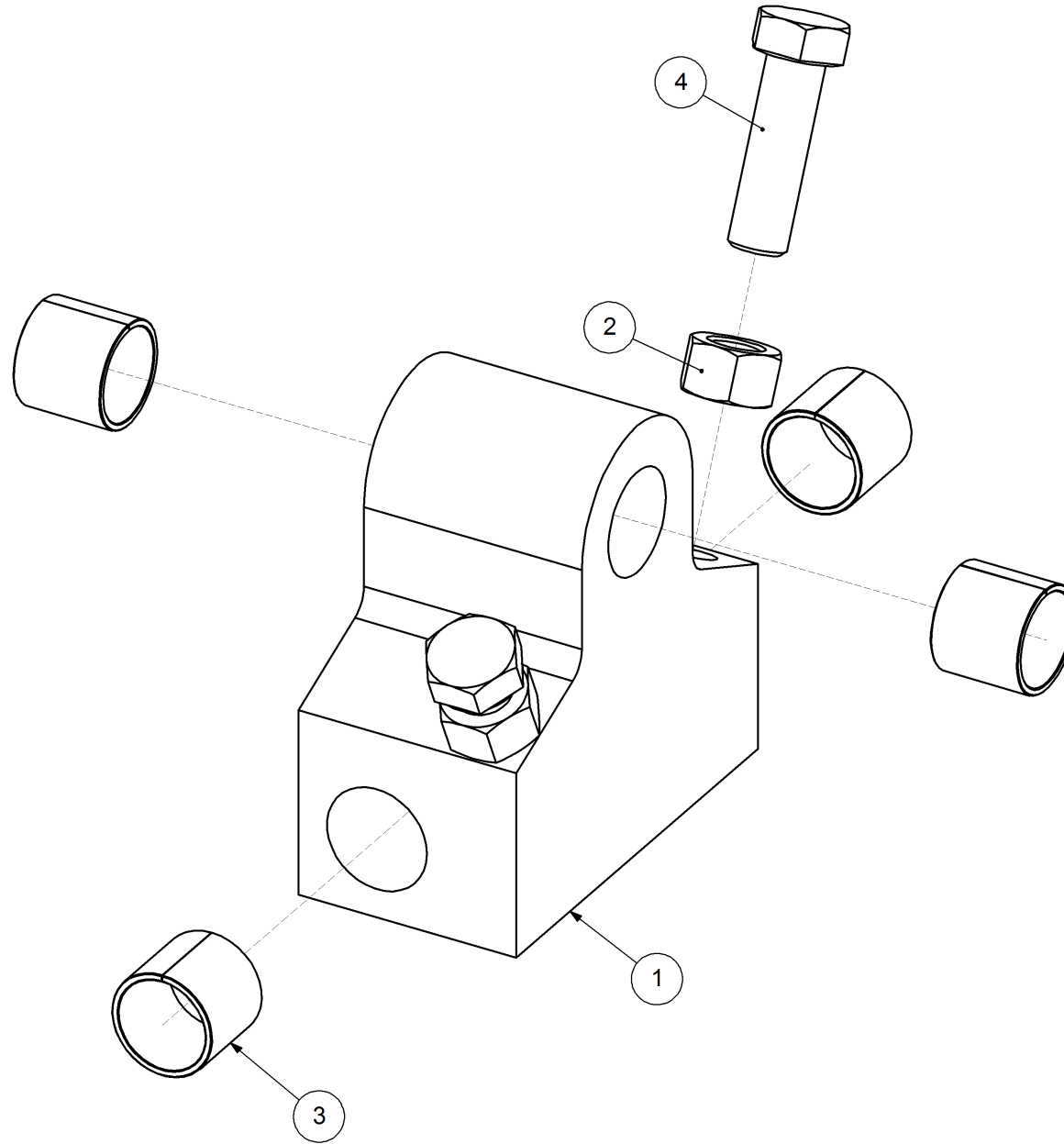
P/N 260902220

Auger Centre Pivot - RH

| Key | Part Number | Description | Qty |
|-----|-------------|----------------------|-----|
| 1 | 260902060 | Support Shaft | 1 |
| 2 | 193100766 | Brake Disc | 1 |
| 3 | 260902064 | Support Sleeve | 1 |
| 4 | 124105708 | Spring - Compression | 1 |
| 5 | 035119380 | Flat Washer 3/4" ID | 1 |
| 6 | 030130191 | Nut 3/4" UNC Nyloc | 1 |
| 7 | 260902129 | Support Block | 1 |
| 8 | 260902142 | Centre Pivot Pin | 1 |
| 9 | 085110000 | Flat Washer 10 ID | 1 |
| 10 | 050100208 | Bolt Hex Hd M10 x 20 | 1 |

| Key | Part Number | Description | Qty |
|-----|-------------|-------------|-----|
|-----|-------------|-------------|-----|

P/N 260902129 Support Block



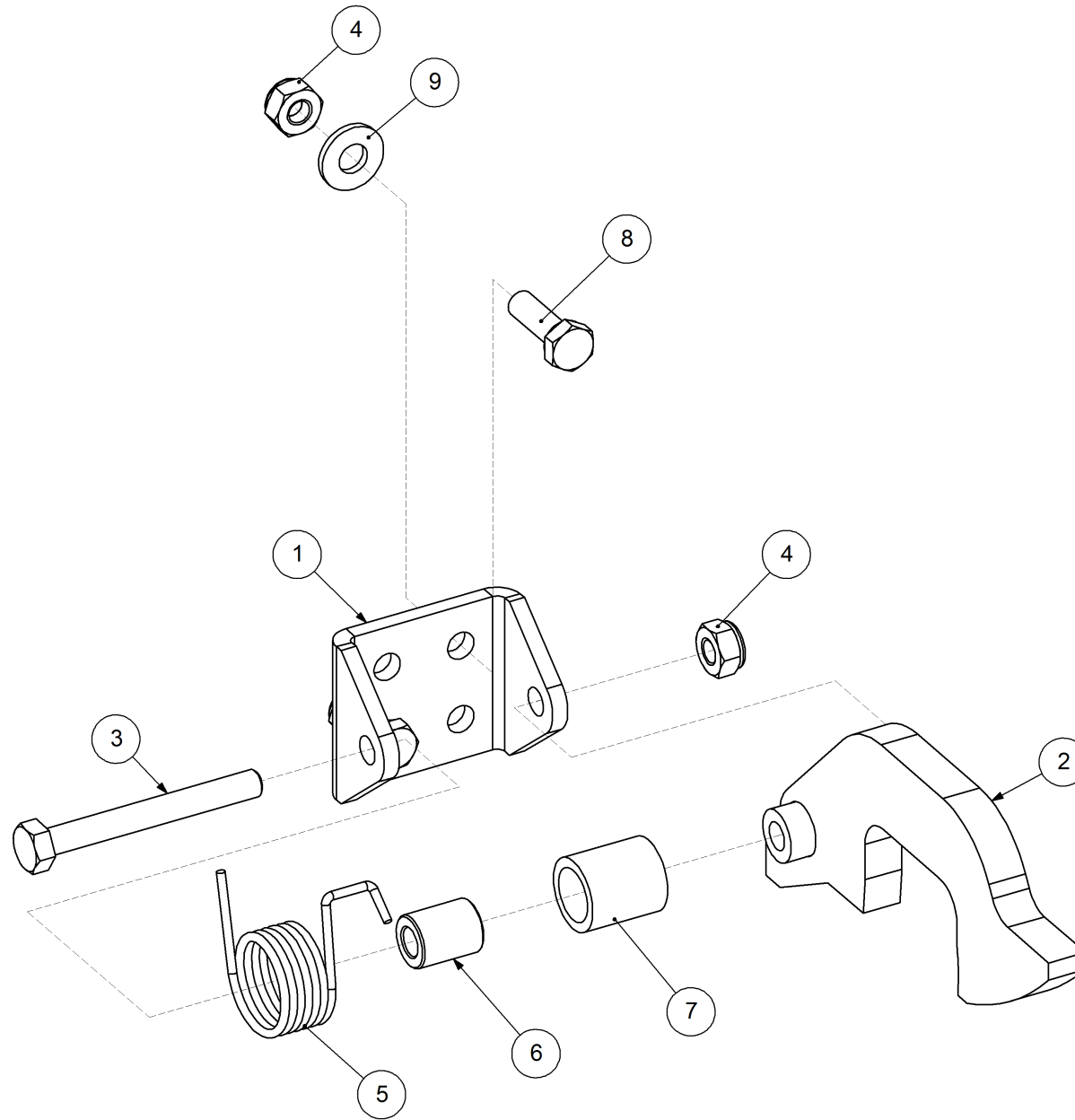


P/N 260902129 Support Block

| Key | Part Number | Description | Qty |
|-----|-------------|---------------------------|-----|
| 1 | 260902130 | Support Block | 1 |
| 2 | 080111200 | Nut M12 | 2 |
| 3 | 137113013 | Bush Teflon 20 ID x 20 Lg | 4 |
| 4 | 064112040 | Set Screw Hex Hd M12 x 40 | 2 |

| Key | Part Number | Description | Qty |
|-----|-------------|-------------|-----|
|-----|-------------|-------------|-----|

P/N 260902180 Auger Latch - RH



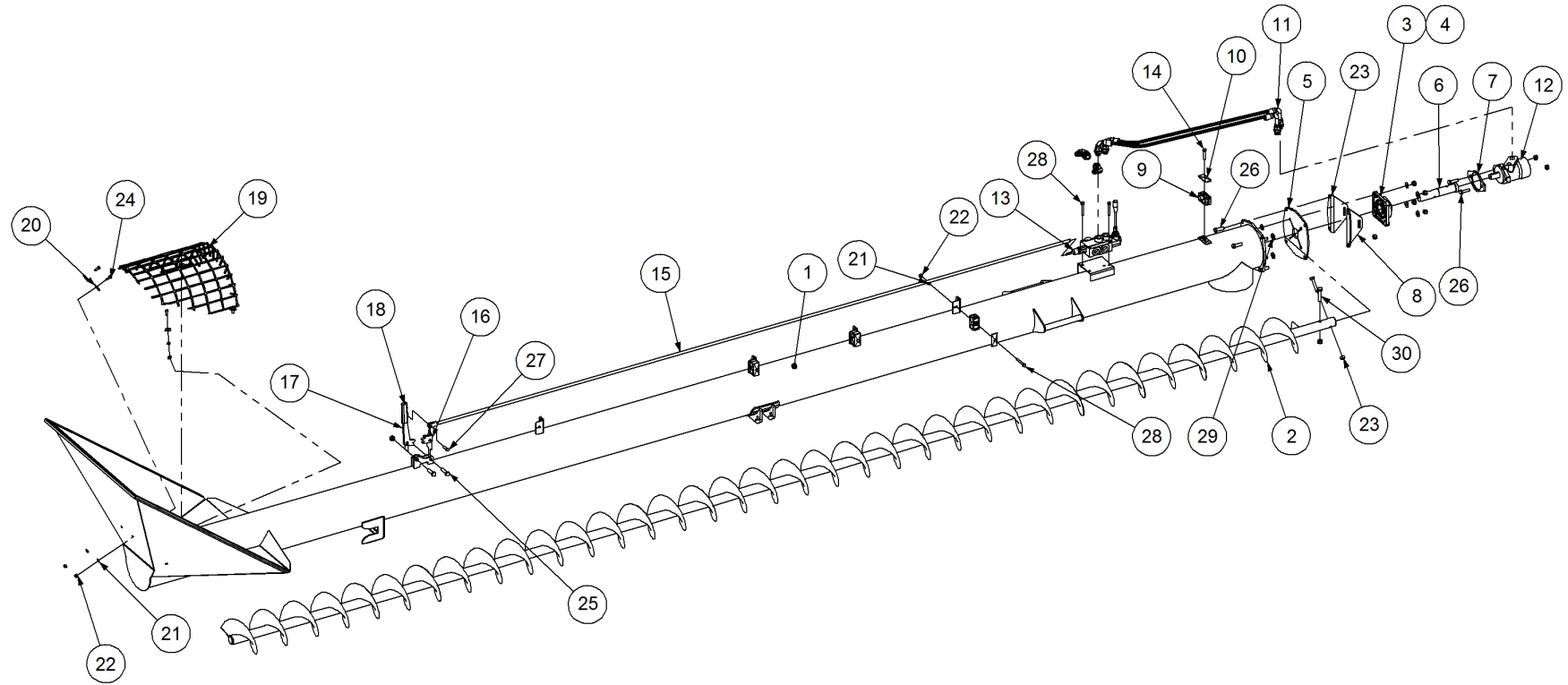


P/N 260902180 Auger Latch - RH

| Key | Part Number | Description | Qty |
|------------|--------------------|-----------------------------|------------|
| 1 | 260902166 | Latch Bracket | 1 |
| 2 | 260902181 | Latch | 1 |
| 3 | 050080708 | Bolt Hex Hd M8 x 70 | 1 |
| 4 | 080120800 | Nut M8 Nyloc | 3 |
| 5 | 124325060 | Spring - Torsion 1" ID - RH | 1 |
| 6 | 260902183 | Spacer | 1 |
| 7 | 260902184 | Bush | 1 |
| 8 | 050080258 | Bolt Hex Hd M8 x 25 | 2 |
| 9 | 085108000 | Flat Washer 8 ID | 2 |

| Key | Part Number | Description | Qty |
|------------|--------------------|--------------------|------------|
|------------|--------------------|--------------------|------------|

P/N 260902100 Auger Barrel Assy 8"

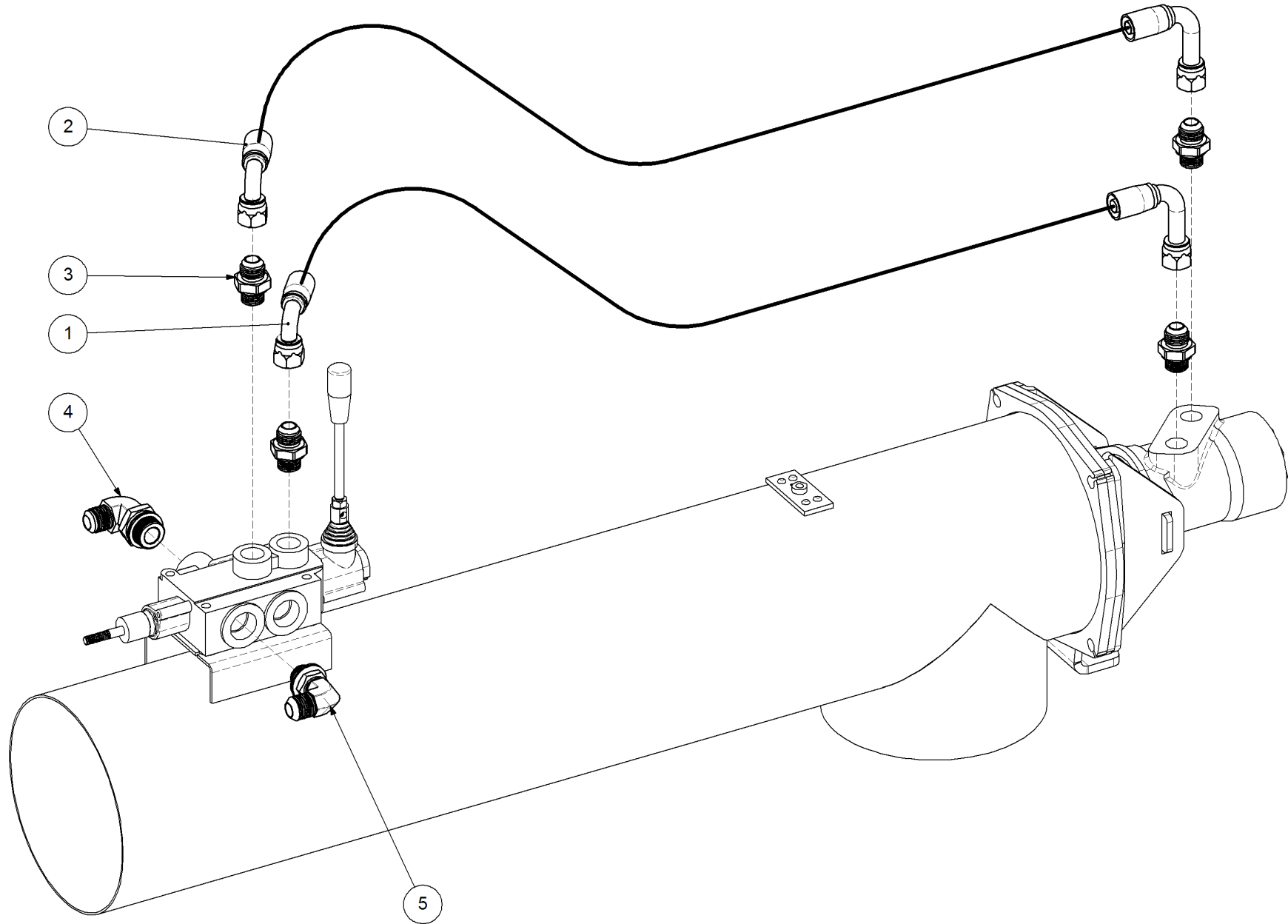




P/N 260902100 Auger Barrel Assy 8"

| Key | Part Number | Description | Qty |
|-----|-------------|-------------------------------|-----|
| 1 | 260902101 | Auger Barrel 8" | 1 |
| 2 | 260902133 | Auger Flighting 8" | 1 |
| 3 | 136620800 | Bearing Housing | 1 |
| 4 | 135420824 | Bearing - 1-1/2" ID | 1 |
| 5 | 260902125 | Flange | 1 |
| 6 | 260902192 | Connector Shaft | 1 |
| 7 | 260902193 | Torque Arm | 1 |
| 8 | 260902194 | Torque Arm Retainer | 2 |
| 9 | 156243220 | Clamp Pipe Double 22 Dia | 4 |
| 10 | 156263000 | Clamp Top Plate | 4 |
| 11 | 151600035 | Hydraulic Hose & Fittings Kit | 1 |
| 12 | 260902199 | Motor - Hydraulic | 1 |
| 13 | 260902197 | Valve - Directional Control | 1 |
| 14 | 050080458 | Bolt Hex Hd M8 x 45 | 1 |
| 15 | 260902144 | Valve Control Rod | 1 |
| 16 | 260902149 | Output Sector | 1 |
| 17 | 260902150 | Input Sector | 1 |
| 18 | 197020115 | Lid Handle Grip | 1 |
| 19 | 260902117 | Auger Mesh Cover | 1 |
| 20 | 096008031 | U Clip | 6 |
| 21 | 085108000 | Flat Washer 8 ID | 9 |
| 22 | 080120800 | Nut M8 Nyloc | 12 |
| 23 | 080121200 | Nut M12 Nyloc | 14 |
| 24 | 050080208 | Bolt Hex Hd M8 x 20 | 6 |
| 25 | 050120458 | Bolt Hex Hd M12 x 45 | 6 |
| 26 | 050120408 | Bolt Hex Hd M12 x 40 | 6 |
| 27 | 050080308 | Bolt Hex Hd M8 x 30 | 1 |
| 28 | 050080608 | Bolt Hex Hd M8 x 60 | 5 |
| 29 | 085112000 | Flat Washer 12 ID | 8 |
| 30 | 050120608 | Bolt Hex Hd M12 x 60 | 2 |

| Key | Part Number | Description | Qty |
|-----|-------------|-------------|-----|
|-----|-------------|-------------|-----|



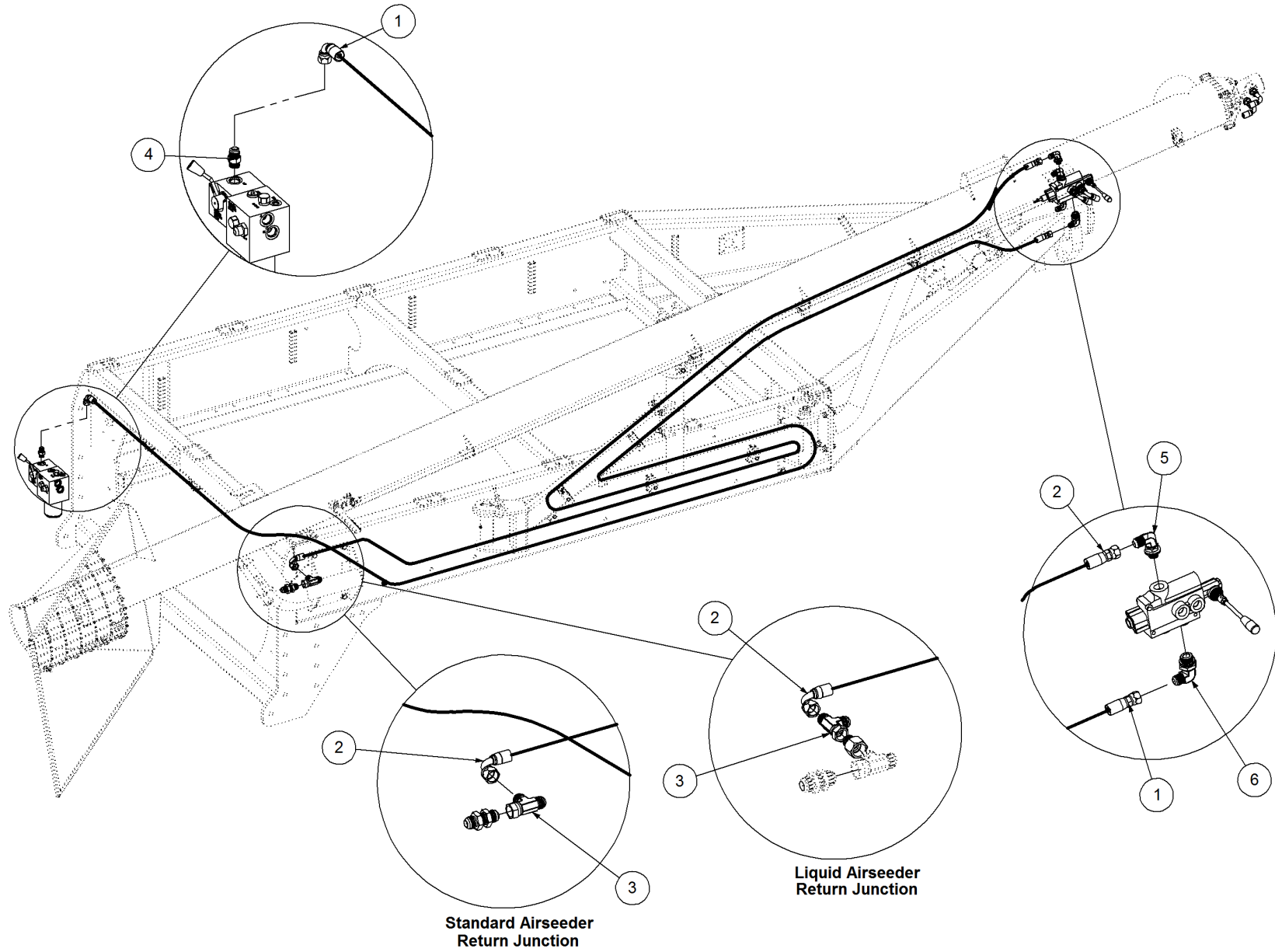


P/N 151600035

Hydraulic Hose & Fittings Kit

| Key | Part Number | Description | Qty |
|------------|--------------------|---|------------|
| 1 | 151600033 | Hyd Hose 1/2" DWB x 1000 Lg | 1 |
| 2 | 151600034 | Hyd Hose 1/2" DWB x 1100 Lg | 1 |
| 3 | 15210F4OMX-S | Fitting - Connector 7/8" JicM x 1/2" BspM | 4 |
| 4 | 15210-12C4OMX-S | Fitting - Elbow 90° 7/8" JicM x 3/4" BspM | 1 |
| 5 | 15210C4OMX-S | Fitting - Elbow 90° 7/8" JicM x 1/2" BspM | 1 |

| Key | Part Number | Description | Qty |
|------------|--------------------|--------------------|------------|
|------------|--------------------|--------------------|------------|



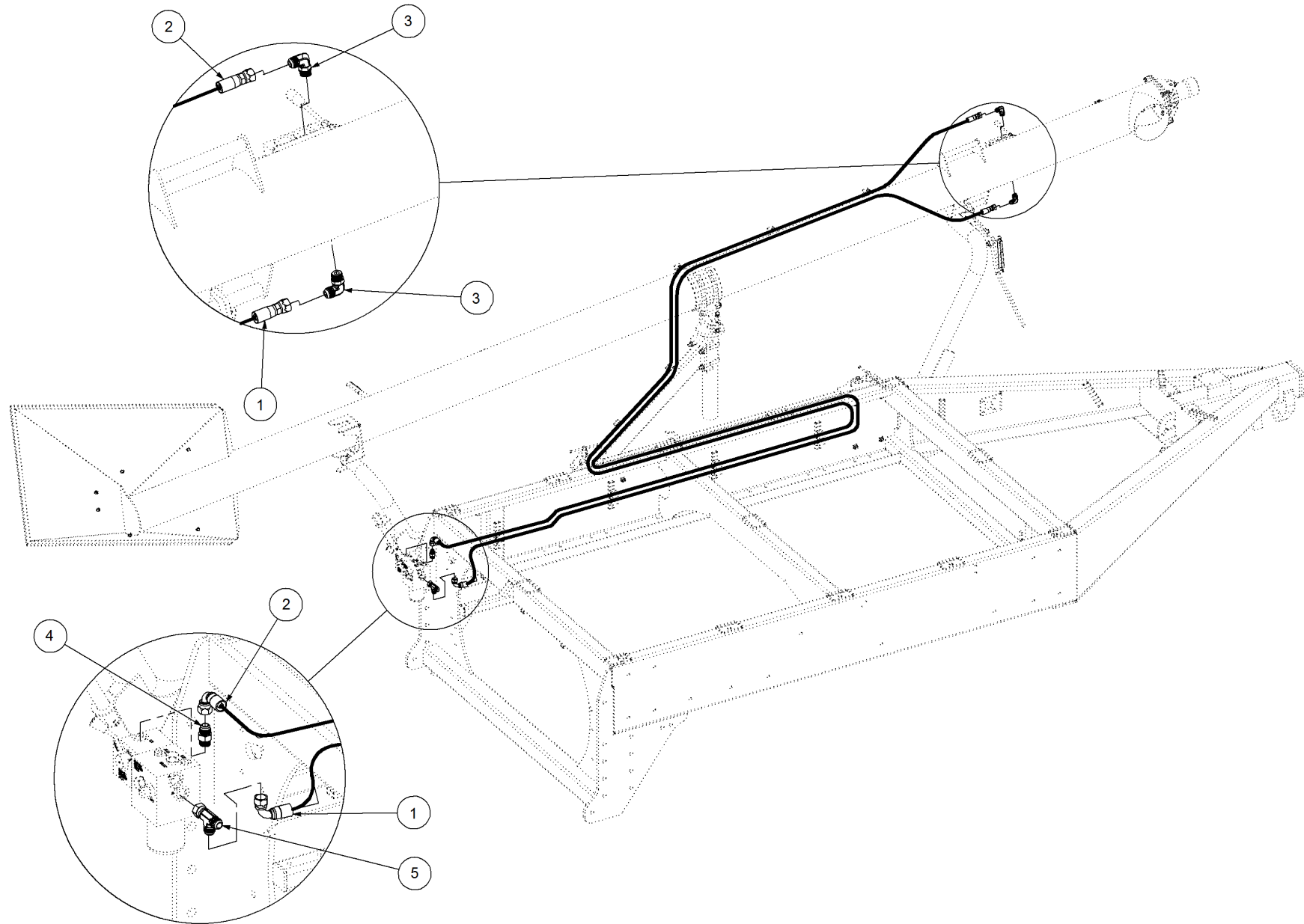


P/N 150000059

Hydraulic Hose & Fittings Kit

| Key | Part Number | Description | Qty |
|-----|-----------------|--|-----|
| 1 | 150000048 | Hyd Hose 1/2" DWB x 10800 Lg | 1 |
| 2 | 150000049 | Hyd Hose 1/2" DWB x 9000 Lg | 1 |
| 3 | 15212R6X-S | Fitting - Tee 1-1/16" JicM x 1-1/16" JicM x 1-1/16" JicF | 1 |
| 4 | 15210F5OX-S | Fitting - Connector 7/8" JicM x 7/8" UnoM | 1 |
| 5 | 15210C4OMX-S | Fitting - Elbow 90° 7/8" JicM x 1/2" BspM | 1 |
| 6 | 15210-12C4OMX-S | Fitting - Elbow 90° 7/8" JicM x 3/4" BspM | 1 |
| 7 | PSG32 | Spiral Guard | 1 |

| Key | Part Number | Description | Qty |
|-----|-------------|-------------|-----|
|-----|-------------|-------------|-----|



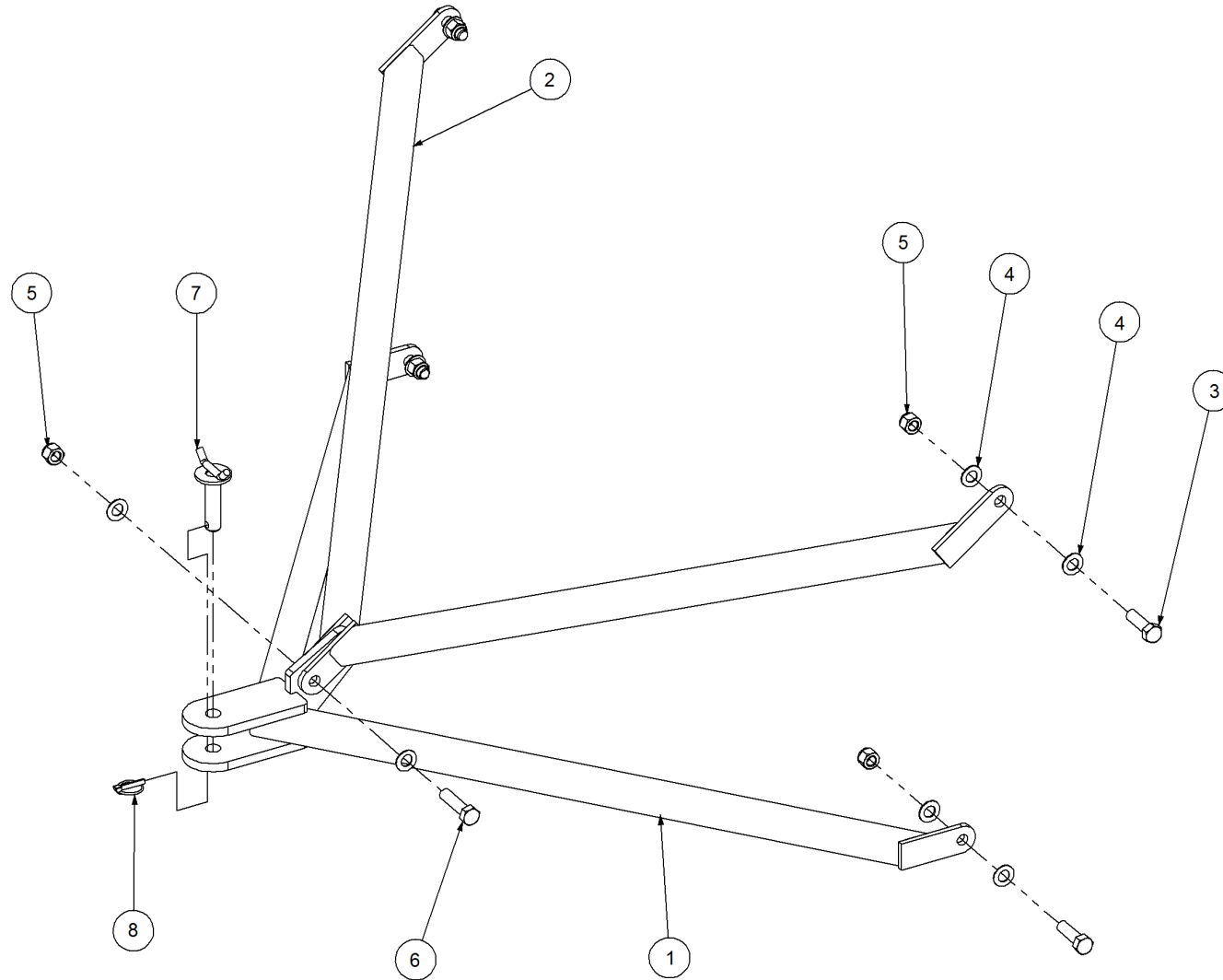


P/N 150000132 Hydraulic Hose & Fittings Kit

| Key | Part Number | Description | Qty |
|-----|-------------|---|-----|
| 1 | 150000133 | Hyd Hose 1/2" DWB x 9500 Lg | 1 |
| 2 | 150000134 | Hyd Hose 1/2" DWB x 9800 Lg | 1 |
| 3 | 15210C5OX-S | Fitting - Elbow 90° 7/8" JicM x 7/8" UnoM | 2 |
| 4 | 15210F5OX-S | Fitting - Connector 7/8" JicM x 7/8" UnoM | 1 |
| 5 | 15210R6X-S | Fitting - Tee 7/8" JicM x 7/8" JicM x 7/8" JicF | 1 |

| Key | Part Number | Description | Qty |
|-----|-------------|-------------|-----|
|-----|-------------|-------------|-----|

P/N 234000000 Harrow Hitch Assy



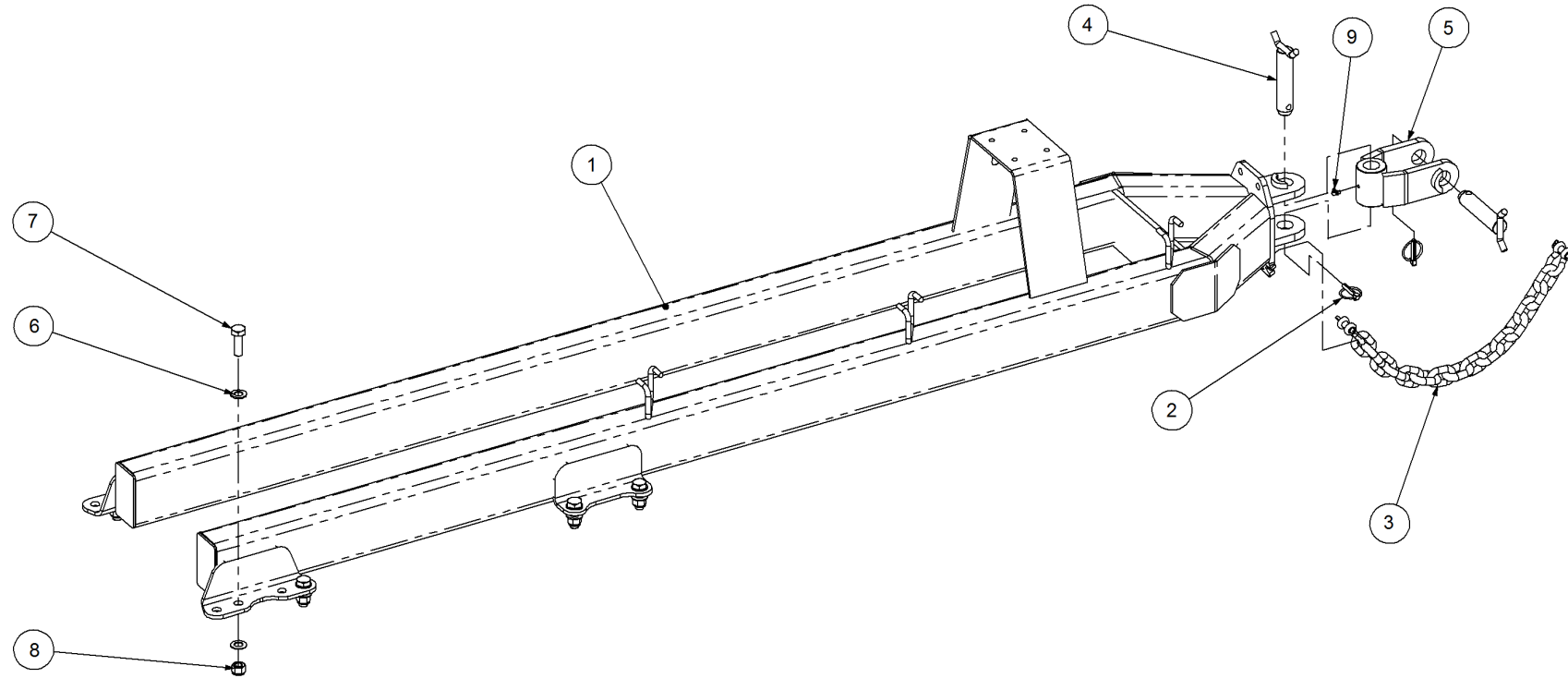


P/N 234000000

Harrow Hitch Assy

| Key | Part Number | Description | Qty |
|-----|-------------|-------------------------------|-----|
| 1 | 234000011 | Lower Arm | 1 |
| 2 | 234000021 | Upper Arm | 2 |
| 3 | 000190638 | Bolt Hex Hd 3/4" UNC x 2-1/2" | 4 |
| 4 | 035119380 | Flat Washer 3/4" ID | 10 |
| 5 | 030130191 | Nut 3/4" UNC Nyloc | 5 |
| 6 | 000190755 | Bolt Hex Hd 3/4" UNC x 3" | 1 |
| 7 | 234000001 | Hitch Pin | 1 |
| 8 | 095110036 | Lynch Pin 3/8" | 1 |

| Key | Part Number | Description | Qty |
|-----|-------------|-------------|-----|
|-----|-------------|-------------|-----|





P/N 305100100

Rear Pull Assy - Allrounder

| Key | Part Number | Description | Qty |
|-----|-------------|------------------------------|-----|
| 1 | 300571500 | Rear Pull | 1 |
| 2 | 095110036 | Lynch Pin 3/8" | 2 |
| 3 | 230603028 | Safety Chain - 15L | 1 |
| 4 | 233260117 | Hitch Pin | 2 |
| 5 | 233330165 | Clevis | 1 |
| 6 | 085116000 | Flat Washer 16 ID | 16 |
| 7 | 050160508 | Bolt Hex Hd M16 x 50 | 8 |
| 8 | 080121600 | Nut M16 Nyloc | 8 |
| 9 | 111206900 | Grease Nipple 1/4" UNF - 90° | 1 |

| Key | Part Number | Description | Qty |
|-----|-------------|-------------|-----|
|-----|-------------|-------------|-----|